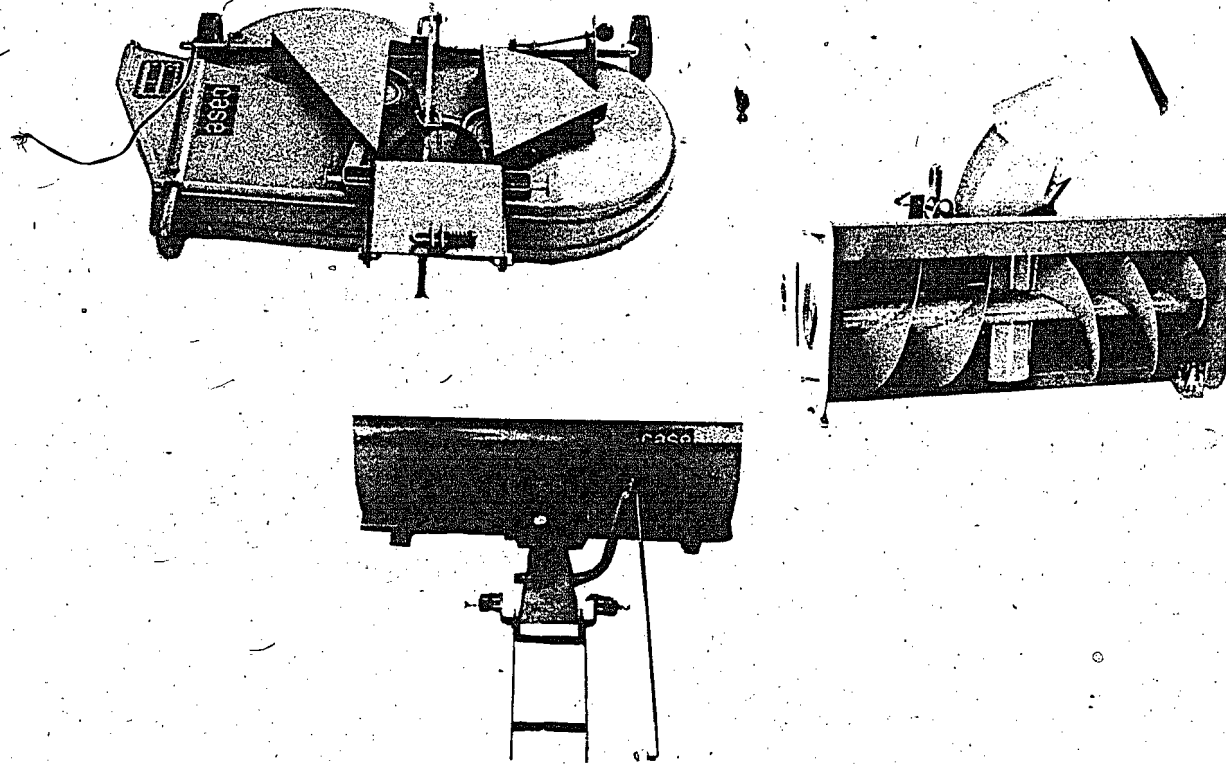


G41 AND H41 ROTARY MOWER
 G51 SNOW BLADE
 G81 SNOW CASTER
 Parts Catalog B1157

7-81-OP-2000

NOTE: This catalog replaces catalogs A1157
 and A1191. Please discard them.



DESIGNATION	TRACTOR APPLICATION			
	107	117	108	118
G41 - H41	X	X	X	X
G51	X	X	X	X
G81	X	X	X	X

SERIAL NUMBERS

When using this catalog, notice the reference to serial numbers of various components noted here and listed in the "description" copy. By referring to correct serial numbers, proper parts identification will be assured.

ALPHABETICAL INDEX

MOWER SECTION

	PAGE	GRID
Belt, Drive	5-9	A4-A8
Blades	5-9	A4-A8
Deck	5-9	A4-A8
Guards	5-9	A4-A8
Lift Assembly	7-11	A6-A10
Pulleys	5-11	A4-A10
Spindles	5-9	A4-A8

SNOW CASTER SECTION

	PAGE	GRID
Auger Assembly	17	B2
Belt	15	A14
Chute Control	17	B2
Drive Assembly	15	A14
Lift Assembly	15	A14

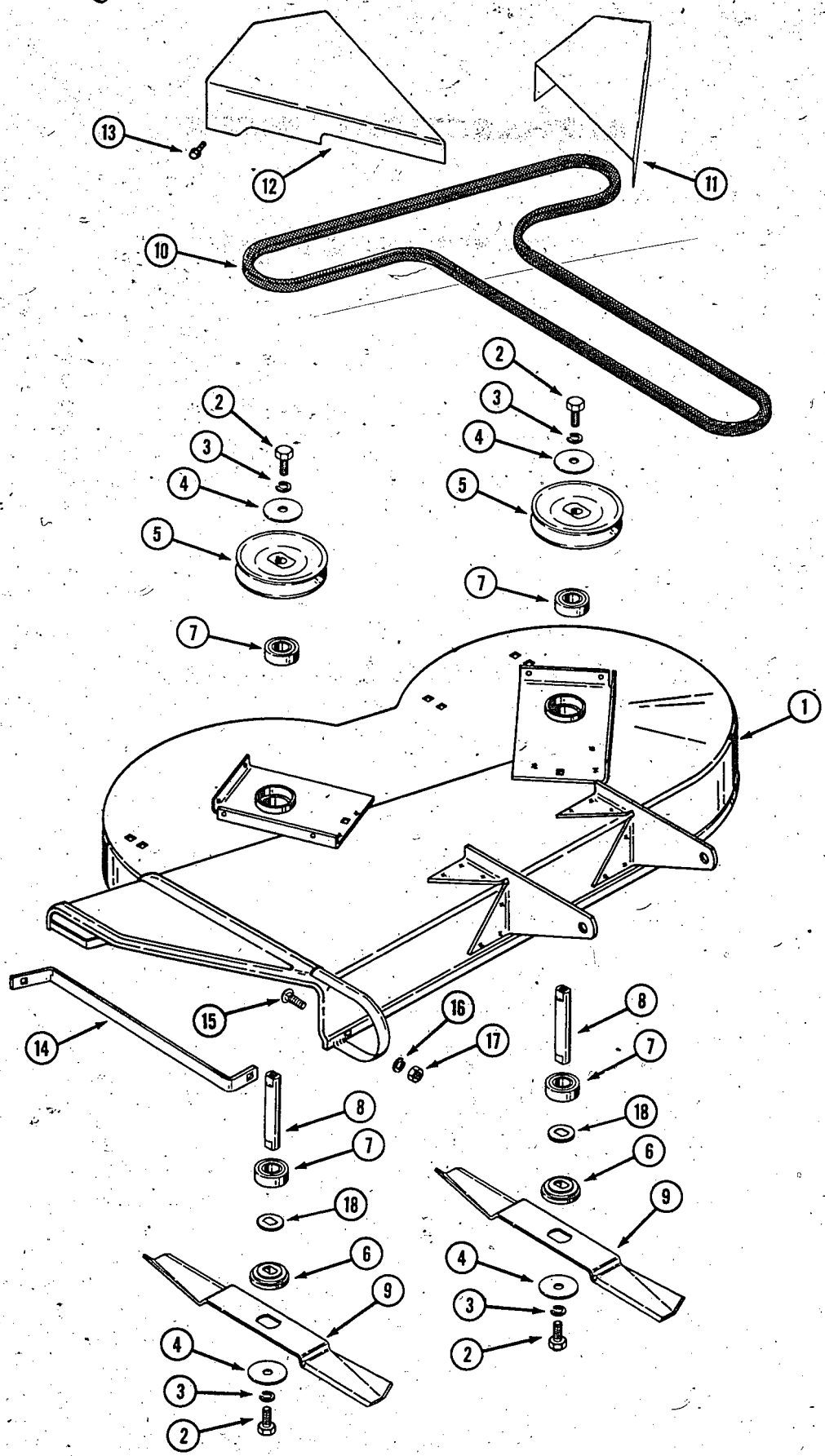
SNOW BLADE SECTION

	PAGE	GRID
Blade	21	B6
Edge Cutting	21	B6
Lift Assembly	21	B6
Skids	21	B6

NOTE: See grid C2 for -
 J41, K41, L41, M41, N41,
 P41 Rotary Mowers,
 J81, K81, L81, M81, N81, P81,
 R81 Snow Casters
 G51, H51, J51 Snow Blades
 B96 Bagger

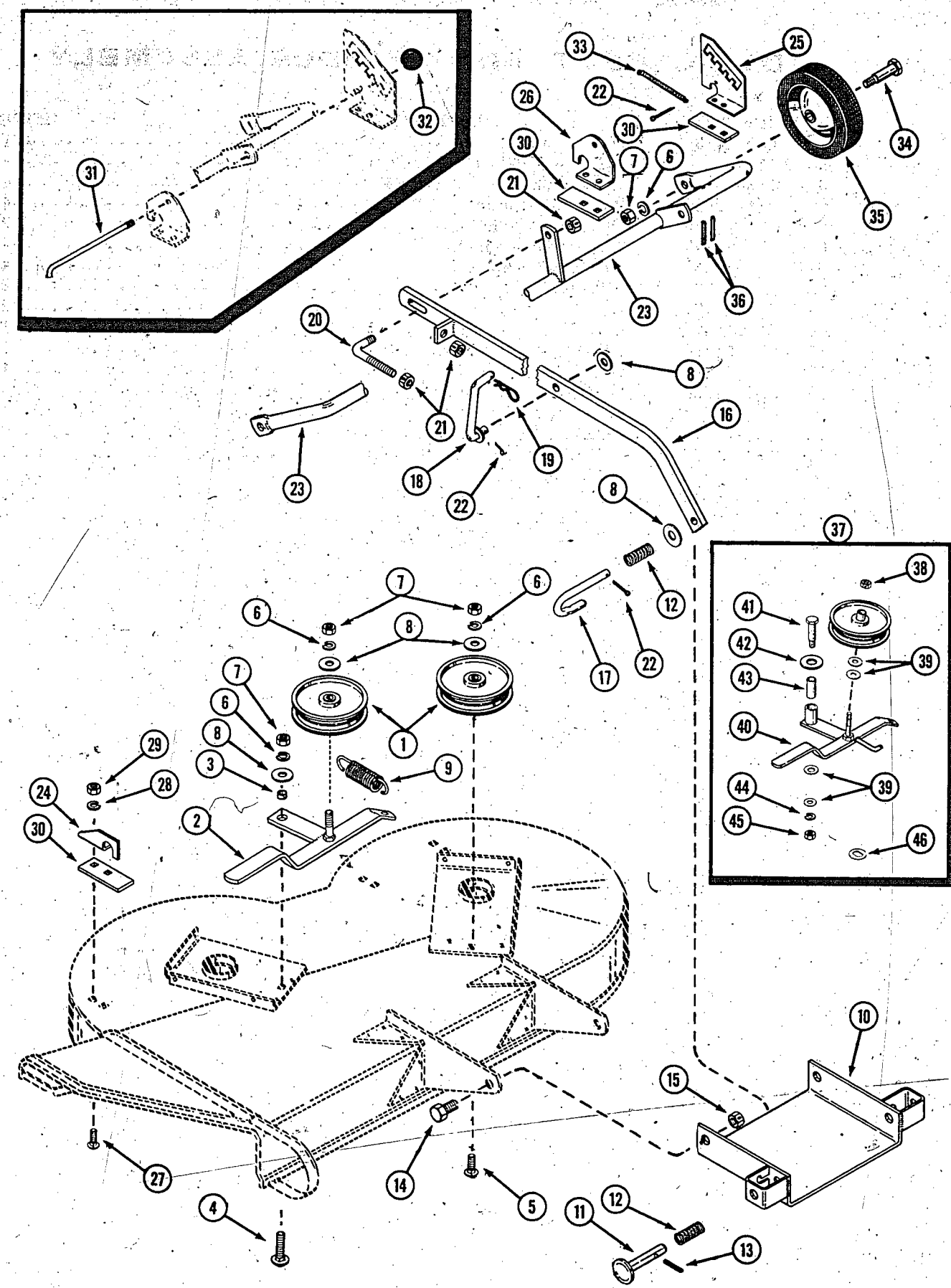
NOTE: See grid F2 for -
 L47 Rear Discharge Rotary Mower

DECK, BELT AND SPINDLE ASSEMBLY



REF. PART NO.	DESCRIPTION	REQ'D
1 C 18135	DECK - mower 34"	1
2 113- 207	BOLT - 3/8" x 1" NC hex	4
3 192- 6	LOCKWASHER - 7/16" ZP	4
4 195- 2036	WASHER - plain 13/32"	4
5 C 15936	PULLEY - spindle	2
6 C 16647	ADAPTER - spindle	4
7 A 70280	BEARING - spindle	4
8 C 15339	SPINDLE - mower	2
9 C 24797	BLADE - mower 17-1/4"	2
10 C 15411	BELT - mower drive	1
11 C 15366	GUARD - pulley L.H.	1
12 C 15367	GUARD - pulley R.H.	1
13 187- 1036	SCREW - 1/4" x 1/2" NC hex head, self-tapping	8
14 C 15625	BAR - mower chute	1
15 111- 215	BOLT - 5/16" x 3/4" NC round head, square neck, ZP	2
16 192- 20	LOCKWASHER - 5/16" ZP	2
17 129- 102	NUT - 5/16" NC hex, ZP	2
18 C 16719	WASHER - mower spindle	2
A 70404	DECAL - "CAUTION"	2
C 12664	DECAL - height indicator	1
C 15678	DECAL - OPEI safety	1
321- 1571	DECAL - "CASE"	1

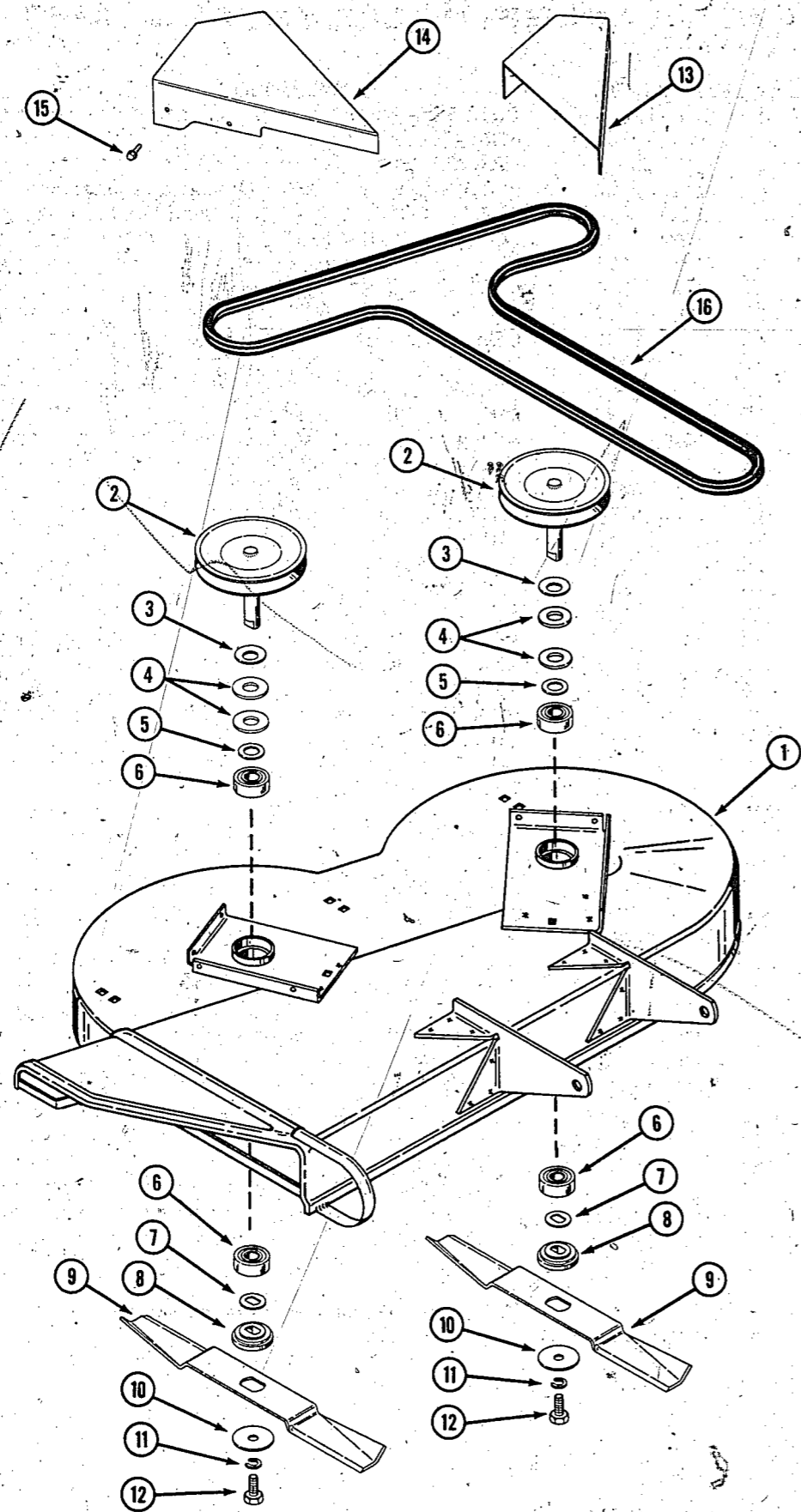
AXLE, IDLER PULLEYS AND LIFT ASSEMBLY



REF. PART NO.	DESCRIPTION	REQ'D
1	C 15343 PULLEY - idler	2
2	C 16761 ARM - idler	1
3	C 25786 SPACER	1
4	111- 362 BOLT - 3/8" x 1" NC round head, square neck, ZP	1
5	111- 330 BOLT - 3/8" x 1-3/4" NC round head, square neck, ZP	1
6	192- 21 LOCKWASHER - 3/8" ZP	5
7	129- 103 NUT - 3/8" NC hex, ZP	5
8	195- 522 WASHER - 3/8" ZP	5
9	C 15677 SPRING - idler arm	1
10	C 15361 BRACKET - lift	1
11	C 15278 PIN - latch	2
12	C 10482 SPRING - latch	3
13	138- 98 PIN - roll 3/16" x 1-1/4"	2
14	113- 424 BOLT - 1/2" x 1" NC hex, ZP	2
15	131- 165 NUT - lock 1/2" NC hex, ZP	2
16	C 15674 ARM - leveling	1
17	C 15651 LINK - latching	1
18	C 15661 LINK - lift	1
19	A 70176 PIN - safety	1
20	C 15355 "L" BOLT - adjust	1
21	131- 178 NUT - lock 3/8" NC hex	3
22	132- 46 PIN - cotter 1/8" x 3/4"	3
23	C 15358* AXLE - mower (early production)	1
24	C 15351 BRACKET - axle mounting	1
25	C 15350* BRACKET - height adjust (early production)	1
26	C 15666 BRACKET - axle mounting	1
27	111- 203 BOLT - 5/16" x 1" NC round head, square neck, ZP	6
28	192- 20 LOCKWASHER - 5/16" ZP	6
29	129- 102 NUT - 5/16" NC hex, ZP	6
30	C 15352 SPACER - axle	3
31	C 15663* ROD - height adjust (early production)	1
32	C 15618 KNOB - adjust	1
33	C 15676* SPRING - adjust rod (early production)	1
34	C 16745 STUD - wheel gauge	2
35	C 25139 WHEEL - mower gauge	2
36	138- 92 PIN - roll 3/16" x 3/4"	2
37	C 16768 KIT - improvement (used prior to S/N E11984)	1
38	131- 178 LOCKNUT - 3/8" NC hex	1
39	195- 103 WASHER - 3/8"	4
40	C 16761 BRACKET - idler	1
41	C 16745 SHOULDER BOLT - 3/8"	1
42	195- 533 WASHER - 1/2"	1
43	C 16714 BUSHING - bronze	1
44	192- 21 LOCKWASHER - 3/8"	1
45	129- 103 NUT - 3/8" NC hex	1
46	C 16719 WASHER - mower spindle	2

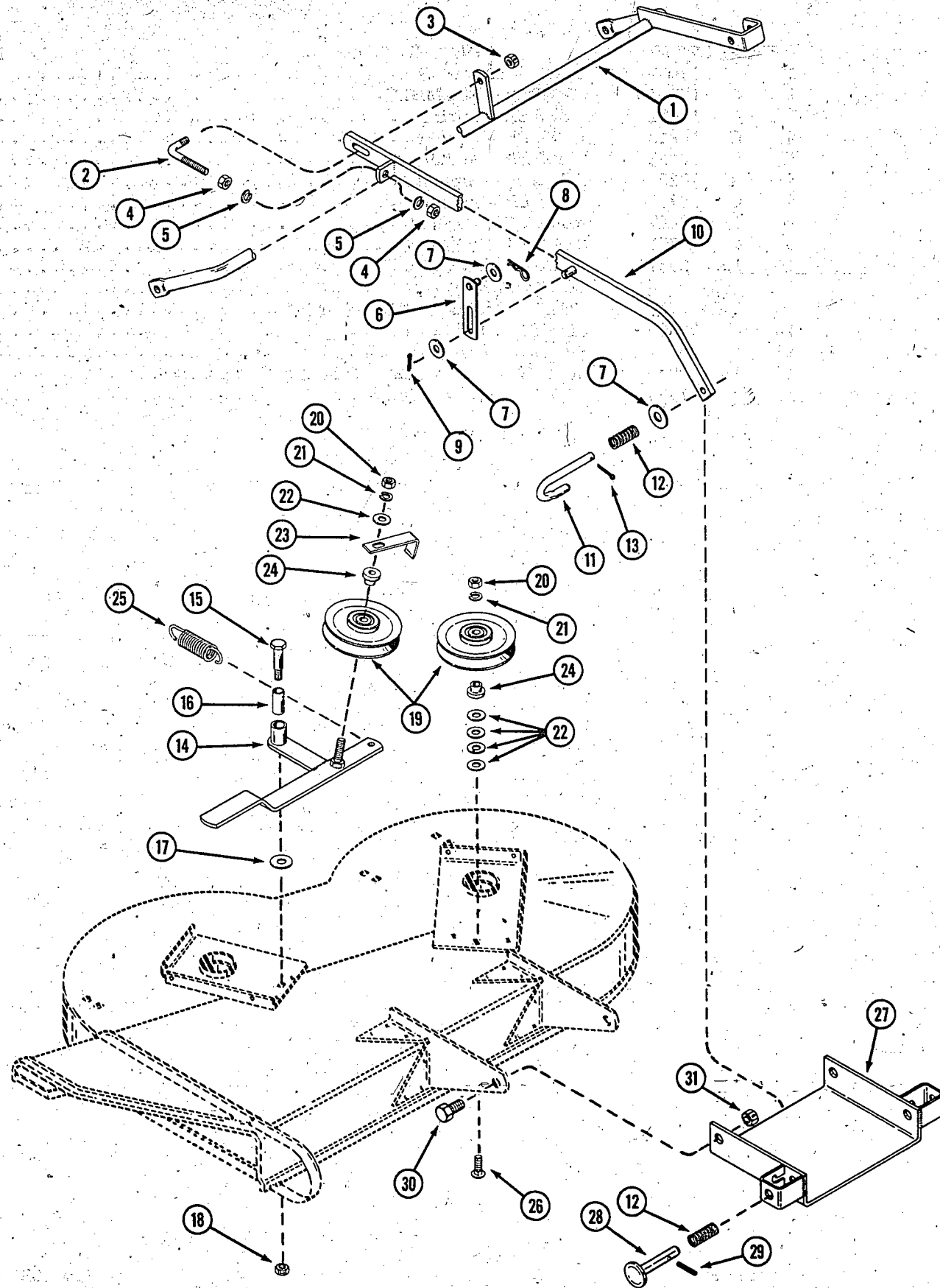
*for late production, see H41 mower section

DECK, BELT, COVERS AND SPINDLE ASSEMBLY



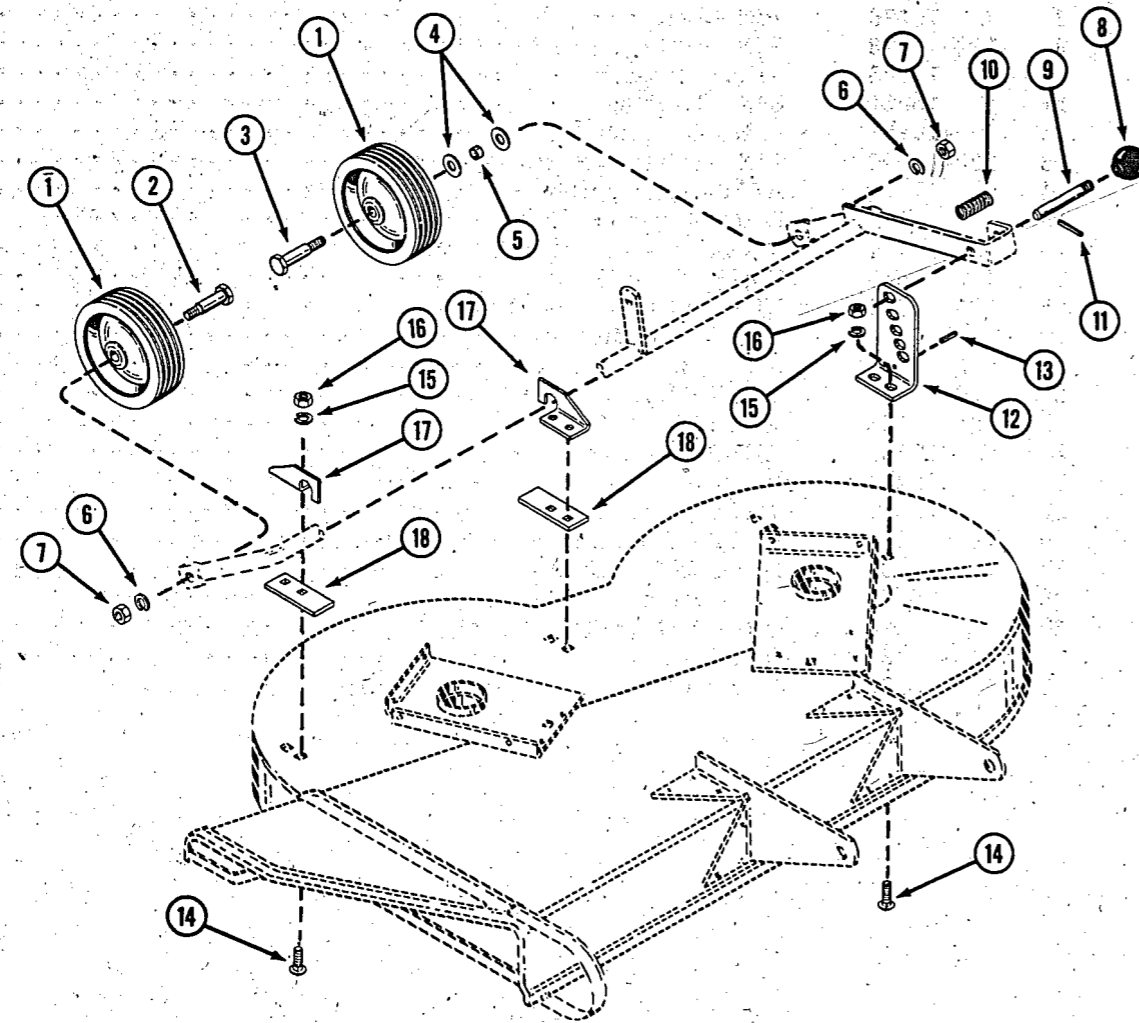
REF. PART NO.	DESCRIPTION	REQ'D
1 C 17081	DECK - mower 34"	1
2 C 17155	SPINDLE ASSEMBLY	2
3 C 15272	WASHER - spring	2
4 C 10942	WASHER - spacer	4
5 C 10822	WASHER - spindle	2
6 A 70280	BEARING - spindle	4
7 C 16719	WASHER - spindle	2
8 C 16647	ADAPTER - spindle	2
9 C 24797	BLADE - 17-1/4"	2
10 195- 2037	WASHER	2
11 192- 6	LOCKWASHER - 3/8"	2
12 113- 207	BOLT - 3/8" x 1" NC hex grade 5	2
13 C 15366	SHIELD - L.H.	1
14 C 15367	SHIELD - R.H.	1
15 187- 1036	SCREW - 1/4" x 1/2" NC hex, self-tapping	8
16 C 17083	BELT - mower drive	1

AXLE, IDLERS AND LIFT ASSEMBLY



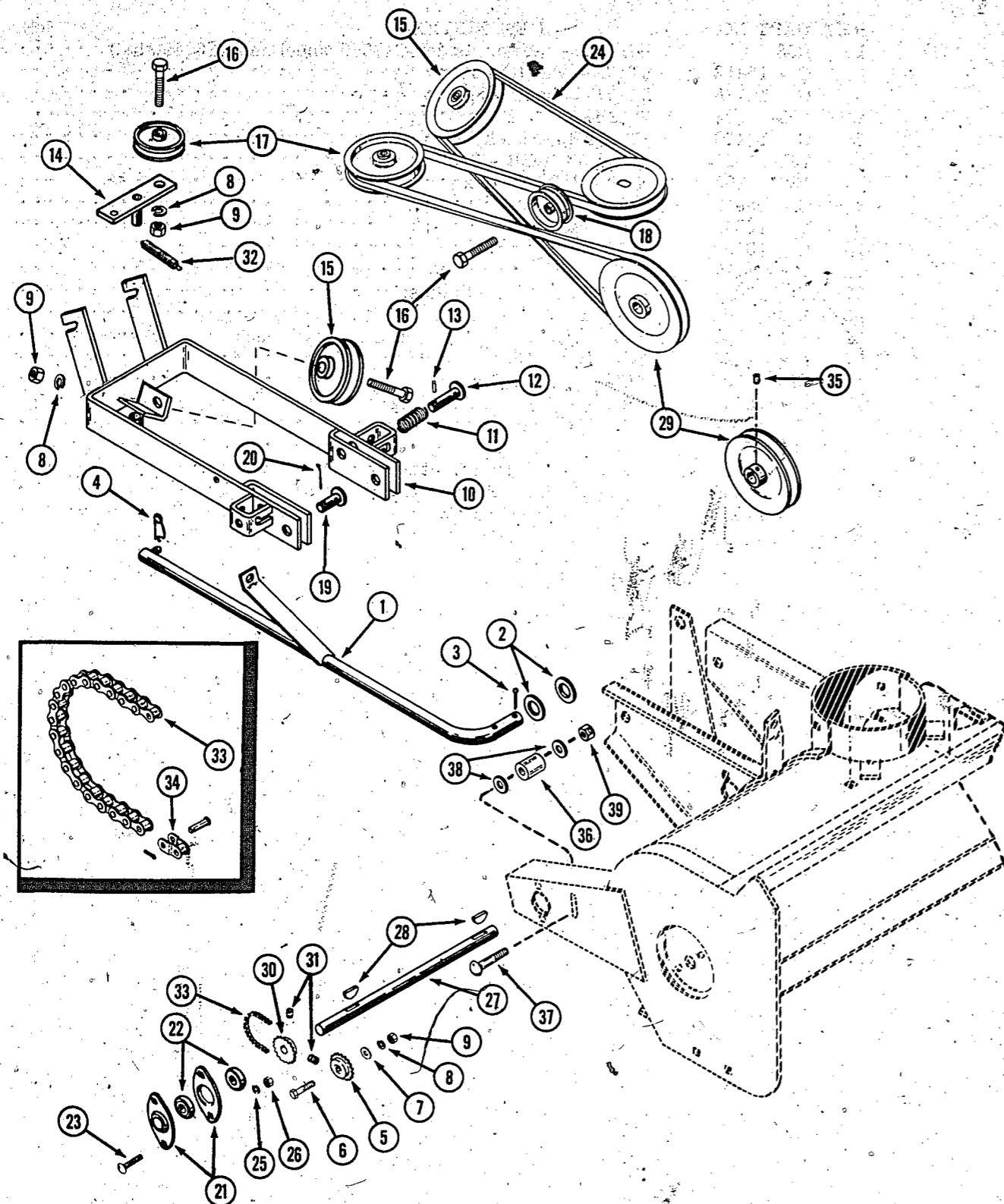
REF. PART NO.	DESCRIPTION	REF'D
1 C 16084	AXLE - mower	1
2 C 15355	"L" BOLT - adjusting	1
3 131- 178	NUT - lock 3/8" NC hex	1
4 129- 103	NUT - 3/8" NC hex	2
5 192- 21	LOCKWASHER - 3/8"	2
6 C 17285	LINK - lift	1
7 195- 525	WASHER - 3/8"	3
8 A 70176	PIN - hair	1
9 132- 178	PIN - cotter	1
10 C 17286	ARM - leveling	1
11 C 15651	PIN - latching	1
12 C 10482	SPRING - latch	1
13 132- 46	PIN - cotter 1/8" x 3/4"	3
14 C 17273	ARM - idler pulley	1
15 C 16745	BOLT - shoulder 3/8"	1
16 C 16714	BUSHING - idler arm	1
17 195- 533	WASHER - 1/2"	1
18 131- 352	NUT - lock 3/8" NC hex	1
19 C 17274	PULLEY - idler	2
20 129- 103	NUT - 3/8" NC hex	2
21 192- 21	LOCKWASHER - 3/8"	2
22 195- 103	WASHER - 3/8"	2
23 C 17761	KEEPER - belt	5
24 C 12264	BUSHING - idler	1
25 C 15677	SPRING - idler	2
26 111- 330	BOLT - 3/8" x 1-3/4" NC rd. hd. square neck	1
27 C 15361	BRACKET - lift	1
28 C 15278	PIN - latch	2
29 138- 98	PIN - roll 3/16" x 1-1/4"	1
30 113- 424	BOLT - 1/2" x 1" NC hex	2
31 131- 165	NUT - lock 1/2" NC hex	2

WHEELS, AXLE MOUNTING AND HEIGHT ADJUSTMENT



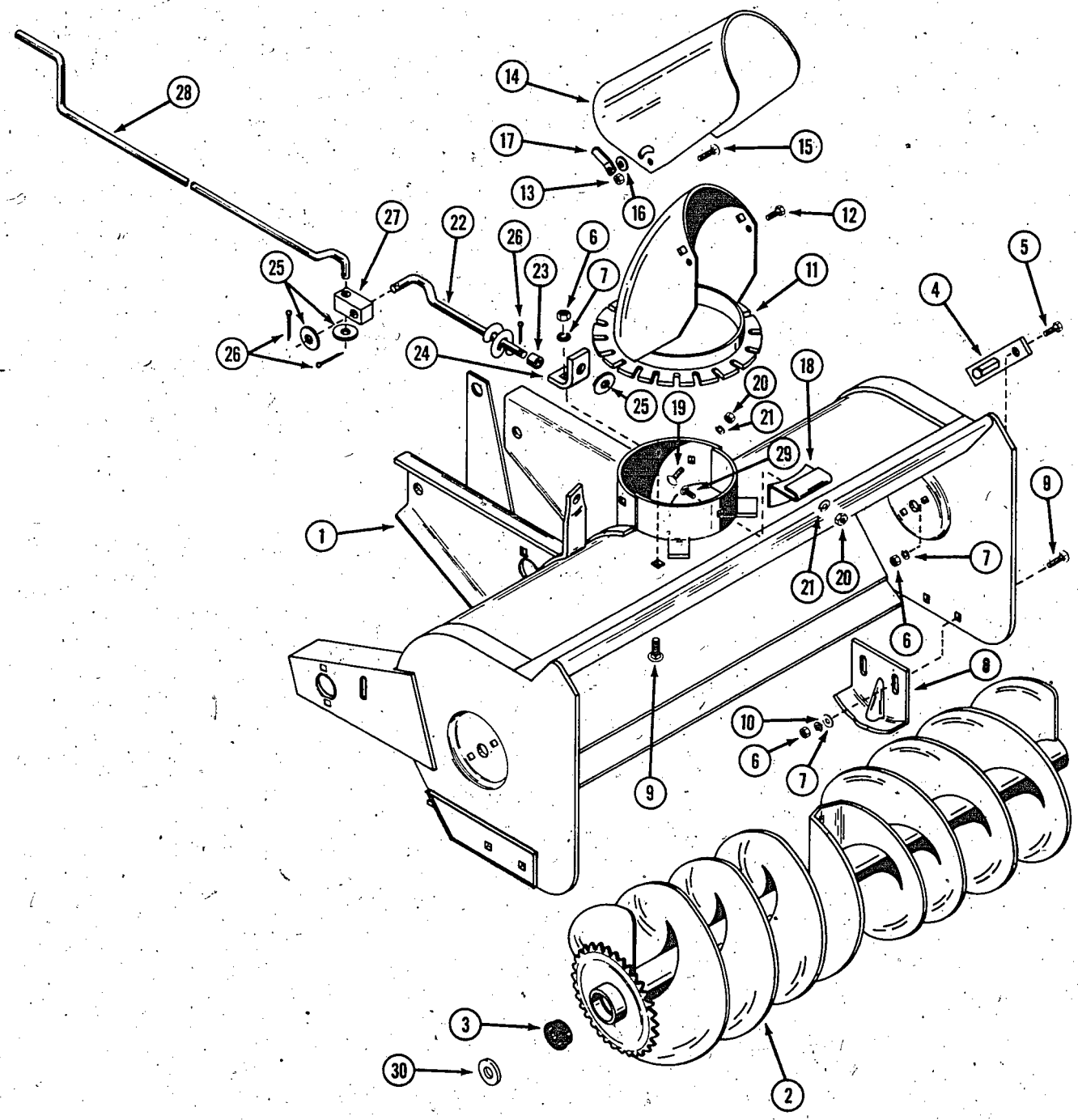
REF. PART NO.	DESCRIPTION	REF'D
1	NSS WHEEL - mower (order C19555 wheel and C16745 stud)	2
2	C 15412 STUD - wheel, short	1
3	C 17428 STUD - wheel, long	1
4	195- 533 WASHER - 1/2"	1
5	C 17430 SPACER - wheel	2
6	192- 21 LOCKWASHER - 3/8"	1
7	129- 103 NUT - 3/8" NC hex	2
8	C 15618 KNOB - adjust	2
9	C 15942 PIN - locking	1
10	C 10482 SPRING	1
11	138- 77 PIN - roll	1
12	C 16077 BRACKET - height adjust	1
13	138- 92 PIN - roll 3/16" x 3/4"	1
14	111- 203 BOLT - 5/16" x 1" NC rd. hd. square neck	8
15	192- 20 LOCKWASHER - 5/16"	8
16	129- 102 NUT - 5/16" NC hex	8
17	C 15351 BRACKET - axle mounting	3
18	C 15352 SPACER - axle	3
19	321- 1571 DECAL - "CASE"	1
20	C 16711 DECAL - height indicator	1
21	A 70404 DECAL - Caution Spinning Blade	2
22	C 17109 DECAL - OPEI Safety	1

CASE MODEL G 81 SNOWCASTER MOUNTING COMPONENTS AND DRIVE ASSEMBLY



REF. PART NO.	DESCRIPTION	REQ'D
1 C 15375	ROD - lift	1
2 195- 549	WASHER - 7/8" ZP	2
3 132- 306	PIN - cotter 3/16" x 1-3/4"	2
4 C 10898	PIN - safety	1
5 C 16248	SPROCKET - idler	1
6 113- 209	BOLT - 3/8" x 1-1/2" NC hex, ZP	1
7 195- 104	WASHER - 3/8" ZP	4
8 192- 21	LOCKWASHER - 3/8" ZP	4
9 129- 103	NUT - 3/8" NC hex, ZP	4
10 C 15288	BRACKET - mounting	1
11 C 10482	SPRING	2
12 C 15278	PIN - latch	2
13 138- 98	PIN - roll 3/16" x 1-1/4"	2
14 C 15296	ARM - idler	1
15 C 15329	PULLEY - idler 5"	1
16 113- 219	BOLT - 3/8" x 2" NC hex	3
17 C 15343	PULLEY - idler 4-1/2"	1
18 C 23535	PULLEY - idler 2-1/2"	1
19 C 12974	PIN - clevis 1/2"	2
20 132- 310	PIN - cotter 1/8" x 1-1/4"	2
21 C 15386	FLANGETTE	4
22 C 15385	BEARING - includes collar and setscrew	2
23 111- 108	BOLT - 1/4" x 3/4" NC round head, square neck	4
24 C 15337	BELT - drive	1
25 192- 19	LOCKWASHER - 1/4" ZP	4
26 129- 101	NUT - 1/4" NC hex, ZP	4
27 C 15331	SHAFT - drive	1
28 126- 16	KEY - 3/16" x 3/4"	2
29 C 15293	PULLEY - 6"	1
30 C 15330	SPROCKET - 18T (includes setscrew)	1
31 83- 44	SETSCREW - 1/4" x 1/4" NC socket head	2
32 C 15671	SPRING - idler arm	1
	CHAIN - auger drive, 93 pitches, #35 roller chain USE:	1
	1 - B17095 chain, 50 links #35	
	3 - B17096 chain, 10 links #35	
	2 - B17097 chain, 6 links #35	
	1 - T16500 offset link #35	
	CHAIN - 50 links, #35 roller chain	1
	CHAIN - 10 links, #35 roller chain	3
	CHAIN - 6 links, #35 roller chain	2
	LINK - offset, #35 roller chain	1
34 T 16500	SETSCREW - 5/16 x 3/8"	1
35 83- 56	BLOCK - idler	1
36 C 16158	BOLT - 3/8 x 2-1/2" NC round head, sq. neck	1
37 111- 349	WASHER - 7/16"	2
38 195- 2029	NUT - lock 3/8" NC hex	1
39 131- 178	DECAL - "CASE"	1
	DECAL - "CAUTION"	1
	DECAL - Belt Installation	1

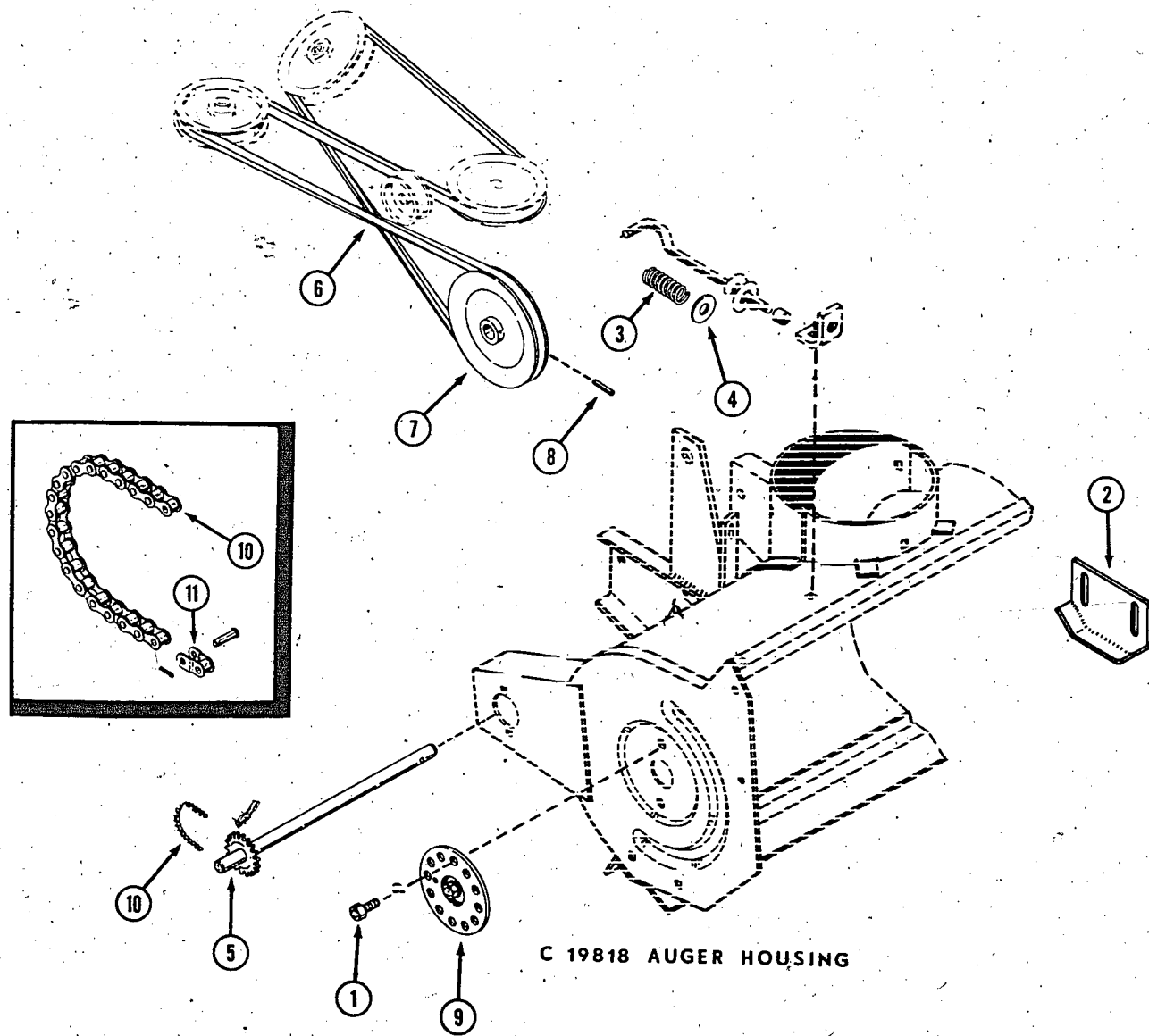
AUGER AND CHUTE ASSEMBLY



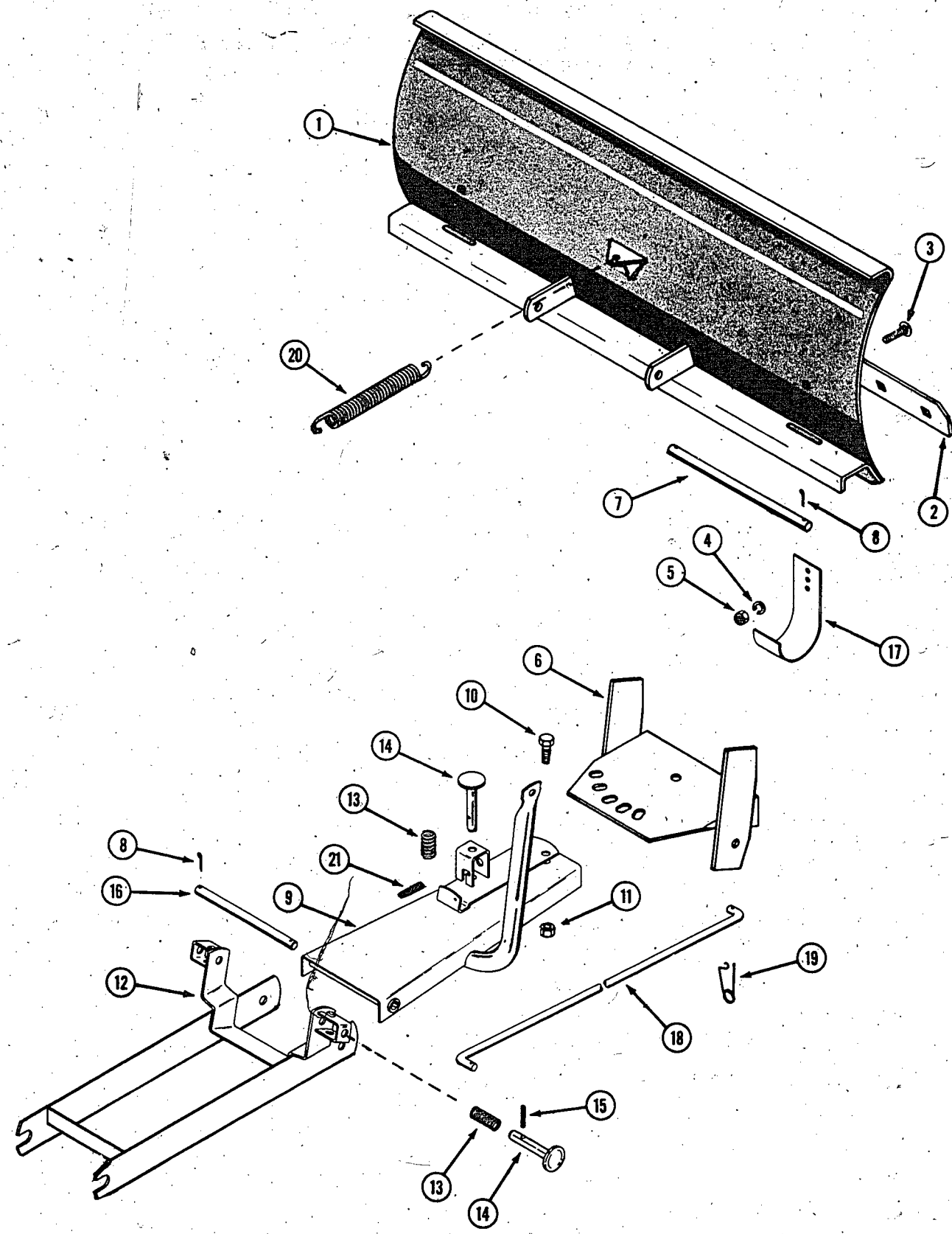
REF. PART NO.	DESCRIPTION	REQ'D
1 NSS	HOUSING - auger 32" (order C 19818 housing and C 22791 kit page 19)	1
2 C 15297	AUGER	1
3 C 14421	BEARING - auger	1
4 C 15186	SHAFT - stub, auger mounting	2
5 113- 205	BOLT - 3/8" x 5/8" NC hex, ZP	4
6 129- 103	NUT - 3/8" NC hex, ZP	9
7 192- 21	LOCKWASHER - 3/8" ZP	9
8 C 15190	SKID	2
9 111- 302	BOLT - 3/8" x 3/4" NC round head, square neck	5
10 195- 104	WASHER - 7/16" ZP	4
11 C 15248	CHUTE	1
12 113- 1	BOLT - 1/4" x 1/2" NC hex	2
13 131- 1102	NUT - lock 1/4"	2
14 C 14597	DEFLECTOR	1
15 111- 340	BOLT - 3/8" x 3/4" NC round head short, square neck	2
16 D 33544	WASHER - 25/64" dished	2
17 C 14569	LEVER - locking, deflector	1
18 C 15334	BRACKET - chute hold down	3
19 111- 202	BOLT - 5/16" x 3/4" NC round head, square neck	3
20 129- 102	NUT - 5/16" NC hex, ZP	3
21 192- 20	LOCKWASHER - 5/16" ZP	3
22 C 15244	ROD - chute control	1
23 C 15277	SPACER - rod, chute control	1
24 C 15240	BRACKET - control rod	1
25 195- 525	WASHER - 3/8" ZP	3
26 132- 26	PIN - cotter, 3/32" x 3/4"	3
27 C 14583	JOINT - block	1
28 C 15371	CRANK - chute control	1
29 113- 102	BOLT - 5/16" x 3/4" NC hex head socket	1
30 195- 545	WASHER - 13/16"	1

**CASE MODEL G 81 SNOWCASTER
C22791 AUGER HOUSING KIT**
(Adapts C19818 Housing to G81 Snowcaster for Service)

REF. PART NO.	DESCRIPTION	REQ'D
1 113- 20	BOLT - 3/8" x 3/4"	4
2 C 17775	SKID	2
3 C 25595	SPRING - compression	1
4 195- 525	WASHER - 3/8" plain	1
5 C 19821	SHAFT ASSEMBLY - drive	1
6 C 23950	BELT - drive	1
7 C 19824	PULLEY - 6"	1
8 183- 2002	PIN - roll	1
9 C 19734	PLATE - stub shaft	2
10 NSS	CHAIN - roller, auger drive, 89 pitches No. 35	1
B 17095	CHAIN - 50 links (includes connector)	1
B 17096	CHAIN - 10 links (includes connector)	2
B 17097	CHAIN - 6 links (includes connector)	3
11 T 16500	LINK - offset	1



SNOW BLADE



REF. PART NO.	DESCRIPTION	REQ'D
1 C 15461	BLADE ASSEMBLY - 38"	1
2 C 15462	EDGE - cutting	1
3 111- 203	BOLT - 5/16" x 1" NC round head, square neck	10
4 192- 20	LOCKWASHER - 5/16"	10
5 129- 102	NUT - 5/16" NC hex	10
6 C 15494	PIVOT - blade	1
7 C 15495	PIN - blade pivot	1
8 132- 48	PIN - cotter 1/8" x 1"	4
9 C 15471	BRACKET - push	1
10 113- 417	BOLT - 1/2" x 1-1/4" NC hex	1
11 131- 165	NUT - 1/2" NC hex	1
12 C 15463	BRACKET - mounting	1
13 C 10482	SPRING - compression	3
14 C 15278	PIN - latch	3
15 138- 98	PIN - roll 3/16" x 1-1/4"	3
16 C 15496	PIN - bracket pivot	1
17 C 15469	SHOE - skid	2
18 C 15497	ROD - lift	1
19 C 10898	PIN - safety	2
20 R 15380	SPRING - blade extension	1
21 138- 92	PIN - roll 3/16 x 3/4"	1
321- 1571	DECAL - "CASE"	1

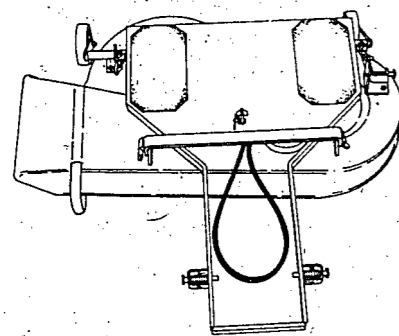
NUMERICAL INDEX

PART NO.	PAGE NO.	REF. NO.	PART NO.	PAGE NO.	REF. NO.	PART NO.	PAGE NO.	REF. NO.			
A	70176	7	19	C	15358	7	23	C	17083	9	16
A	70176	11	8	C	15361	7	10	C	17109	13	
A	70280	5	7	C	15361	11	27	C	17155	9	2
A	70280	9	6	C	15366	5	11	C	17273	11	14
A	70404	5		C	15366	9	13	C	17274	11	19
A	70404	13		C	15367	5	12	C	17285	11	6
B	17095	15		C	15367	9	14	C	17286	11	10
B	17095	19		C	15371	17	28	C	17428	13	3
B	17096	15		C	15375	15	1	C	17430	13	5
B	17096	19		C	15385	15	22	C	17761	11	23
B	17097	15		C	15386	15	21	C	17775	19	2
B	17097	19		C	15411	5	10	C	18135	5	1
C	10482	7	12	C	15412	13	2	C	19734	19	9
C	10482	11	12	C	15461	21	1	C	19821	19	5
C	10482	13	10	C	15462	21	2	C	19824	19	7
C	10482	15	11	C	15463	21	12	C	23535	15	18
C	10482	21	13	C	15469	21	17	C	23950	19	6
C	10822	9	5	C	15471	21	9	C	24787	5	9
C	10898	15	4	C	15494	21	6	C	24797	9	9
C	10898	21	19	C	15495	21	7	C	25139	7	35
C	10942	9	4	C	15496	21	16	C	25595	19	3
C	12264	11	24	C	15497	21	18	C	25786	7	3
C	12664	5		C	15618	7	32	C	25786	7	3
C	12974	15	19	C	15618	13	8	D	33544	17	16
C	14421	17	3	C	15625	5	14	R	15380	21	20
C	14569	17	17	C	15651	7	17	T	16500	15	34
C	14583	17	27	C	15651	11	11	T	16500	19	11
C	14597	17	14	C	15661	7	18				
C	15186	17	4	C	15663	7	31				
C	15190	17	8	C	15666	7	26				
C	15240	17	24	C	15671	15	32				
C	15244	17	22	C	15674	7	16	83-	44	15	31
C	15248	17	11	C	15676	7	33	83-	56	15	35
C	15272	9	3	C	15677	7	9	111-	108	15	23
C	15277	17	23	C	15677	11	25	111-	202	17	19
C	15278	7	11	C	15678	5	5	111-	203	7	27
C	15278	11	28	C	15936	5	5	111-	203	13	14
C	15278	15	12	C	15942	13	9	111-	203	21	3
C	15278	21	14	C	16077	13	12	111-	215	5	15
C	15288	15	10	C	16084	11	1	111-	302	17	9
C	15293	15	29	C	16102	15		111-	330	7	5
C	15296	15	14	C	16158	15	36	111-	330	11	26
C	15297	17	2	C	16248	15	5	111-	340	17	15
C	15329	15	15	C	16647	5	6	111-	349	15	37
C	15330	15	30	C	16647	9	8	111-	362	7	4
C	15331	15	27	C	16711	13		113-	1	17	12
C	15334	17	18	C	16714	7	43	113-	20	19	1
C	15337	15	24	C	16714	11	16	113-	102	17	29
C	15339	5	8	C	16719	5	18	113-	205	17	5
C	15343	7	1	C	16719	9	7	113-	209	15	6
C	15343	15	17	C	16719	7	46	113-	219	15	16
C	15350	7	25	C	16745	7	34	113-	424	11	30
C	15351	7	24	C	16745	11	15	113-	207	5	2
C	15351	13	17	C	16745	7	41	113-	207	9	12
C	15352	7	30	C	16761	7	2	113-	417	21	10
C	15352	13	18	C	16761	7	40	113-	424	7	14
C	15355	7	20	C	16768	7	37	126-	16	15	28
C	15355	11	2	C	17081	9	1	129-	101	15	26
								129-	102	5	17

HARDWARE CODE

NUMERICAL INDEX

PART NO.	PAGE NO.	REF. NO.	PART NO.	PAGE NO.	REF. NO.	PART NO.	PAGE NO.	REF. NO.
129-	102	7	29	195-	525	11	7	
129-	102	13	16	195-	525	17	25	
129-	102	17	20	195-	525	19	4	
129-	102	21	5	195-	533	7	42	
129-	103	7	7	195-	533	11	17	
129-	103	7	45	195-	533	13	4	
129-	103	11	4	195-	545	17	30	
129-	103	11	20	195-	549	15	2	
129-	103	13	7	195-	2029	15	38	
129-	103	15	9	195-	2036	5	4	
129-	103	17	6	195-	2037	9	10	
131-	165	7	15	321-	1571	5		
131-	165	11	31	321-	1571	13		
131-	165	21	11	321-	1571	15		
131-	178	7	21	321-	1571	21		
131-	178	7	38	321-	4199	15		
131-	178	11	3					
131-	178	15	39					
131-	352	11	18					
131-	1102	17	13					
132-	26	17	26					
132-	46	7	22					
132-	46	11	13					
132-	48	21	8					
132-	178	11	9					
132-	306	15	3					
132-	310	15	20					
138-	77	13	11					
138-	92	7	36					
138-	92	13	13					
138-	92	21	21					
138-	98	7	13					
138-	98	11	29					
138-	98	15	13					
138-	98	21	15					
183-	2002	19	8					
187-	1036	5	13					
187-	1036	9	15					
192-	6	5	3					
192-	6	9	11					
192-	19	15	25					
192-	20	5	16					
192-	20	7	28					
192-	20	13	15					
192-	20	17	21					
192-	20	21	4					
192-	21	7	6					
192-	21	7	44					
192-	21	11	5					
192-	21	11	21					
192-	21	13	6					
192-	21	15	8					
192-	21	17	7					
195-	103	7	39					
195-	103	11	22					
195-	104	15	7					
195-	104	17	10					
195-	522	7	8					



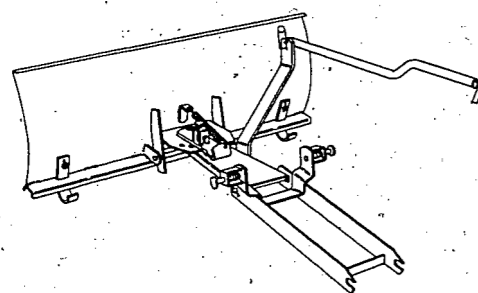
MOWER

ROTARY MOWER
 J41, K41, L41, M41, N41, P41
 SNOWCASTER
 J81, K81, L81, M81, N81, P81, R81
 UTILITY BLADE
 G51, H51, J51
 BAGGER
 B96

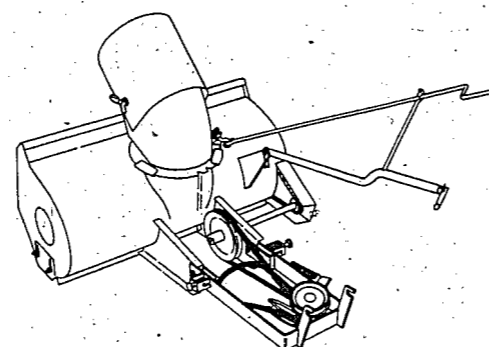
Parts Catalog No. D1232

5-85-RP-1000-139

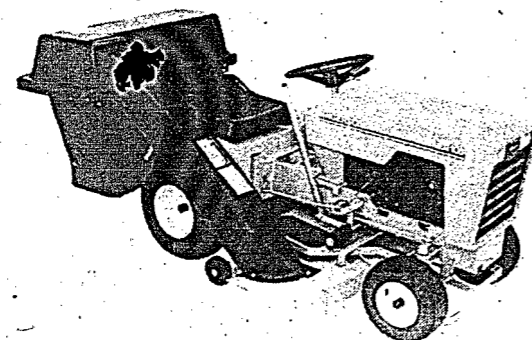
NOTE: This Parts Catalog replaces the previous Issue C1232 which is obsolete and should be discarded.



BLADE



SNOWCASTER



BAGGER

MODEL DESIGNATION

TRACTOR APPLICATION

MODEL DESIGNATION	107	117	108	118	110	116
J41, K41, L41, M41, N41, P41	X	X	X	X	X	X
J81, K81, L81, M81, N81, P81, R81	X	X	X	X	X	X
G51, H51, J51	X	X	X	X	X	X
B96*			X		X	X

* Requires Model P41 or later mower

ALPHABETICAL INDEX

BAGGER SECTION

	PAGE	GRID
Decals	39	E10
Entire Parts List	37	E8

MOWER SECTION

	PAGE	GRID
Decals	39	E10
J41	5-9	C4-C8
K41	11-15	C10-C14
L41, M41, N41	17-21	D2-D6
P41	23-27	D8-D12

SNOWCASTER SECTION

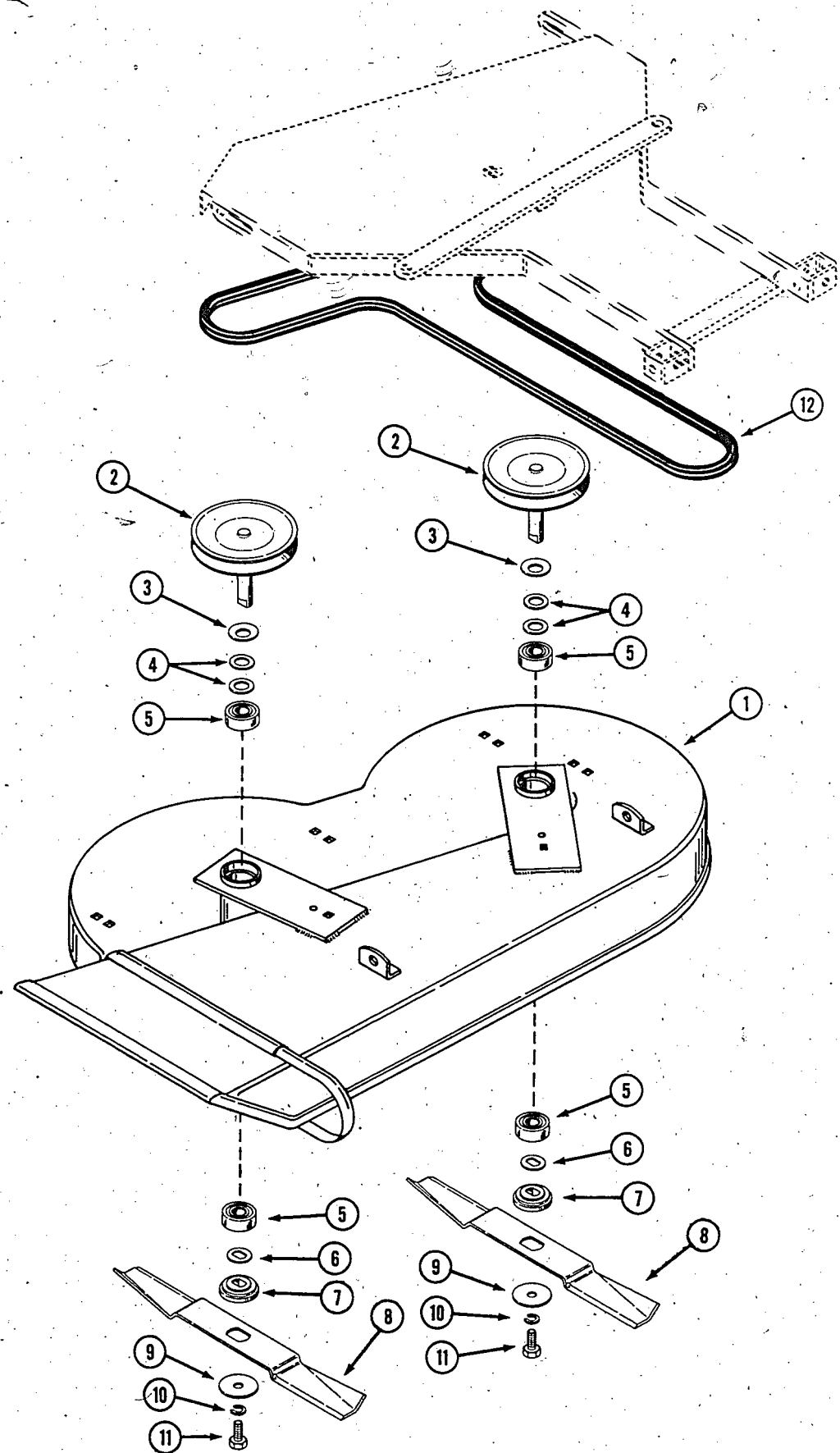
	PAGE	GRID
Decals	39	E10
Entire Parts List	29-33	D14-E4

UTILITY BLADE SECTION

	PAGE	GRID
Decals	39	E10
Entire Parts List	35	E6

NOTE: See grid A2 for -
 G41, H41 Rotary Mowers,
 G51 Snow Blade,
 G81 Snow Caster

NOTE: See grid F2 for -
 L47 Rear Discharge Rotary Mowers

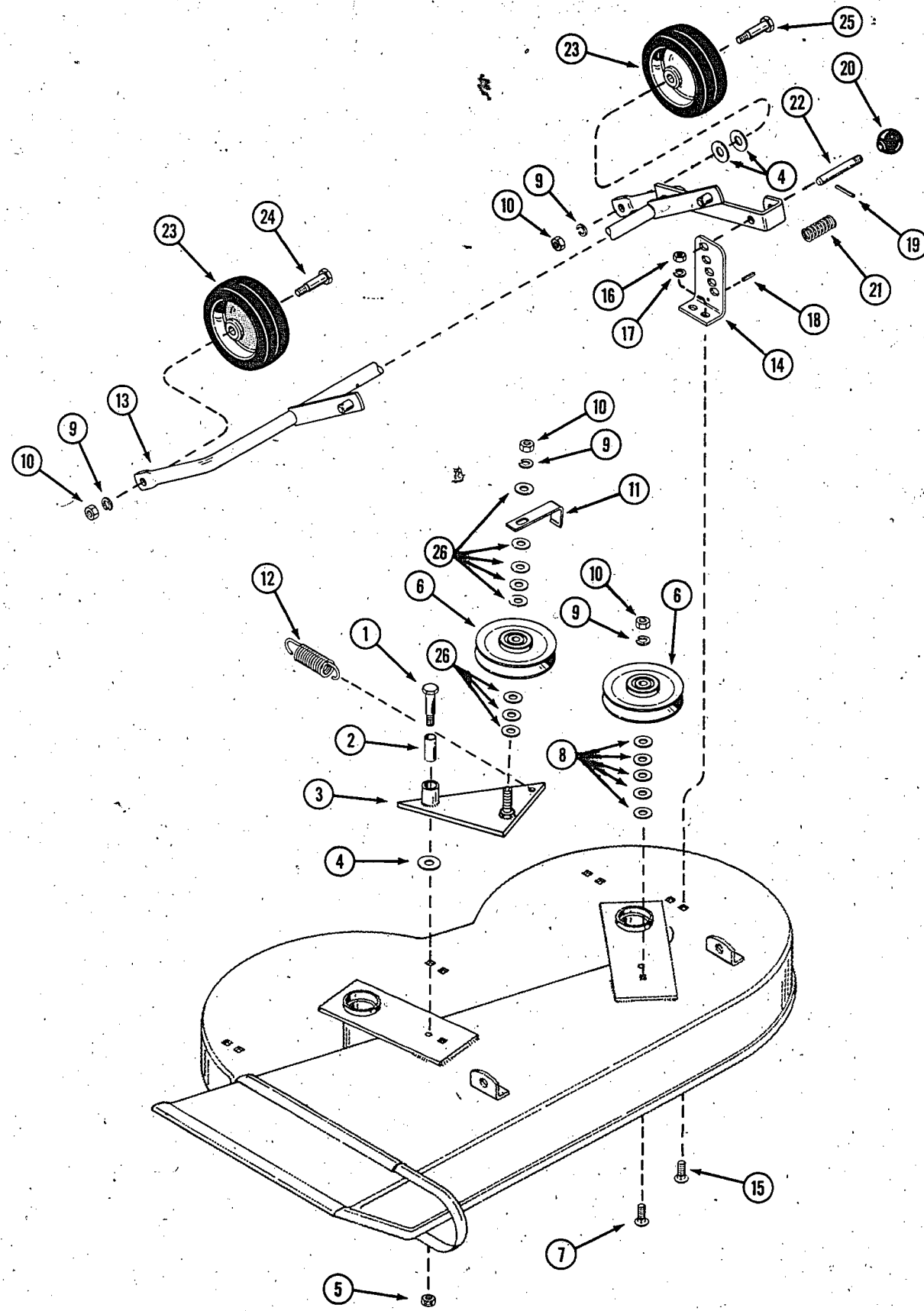


MODEL J41 ROTARY MOWER

DECK, BELT AND SPINDLE ASSEMBLY

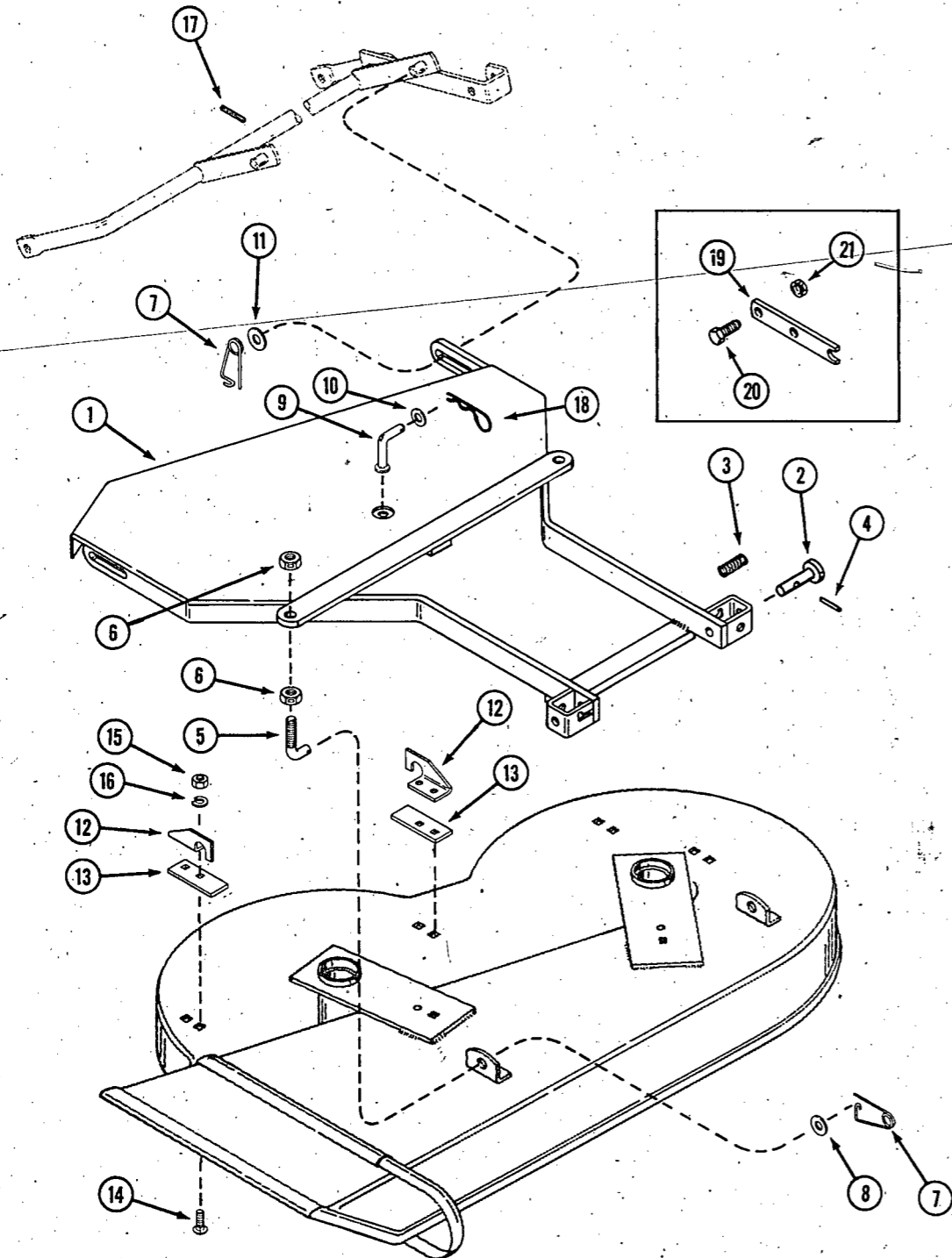
REF.	PART NO.	DESCRIPTION	REQ'D.
1	C 18905	DECK - mower 34"	1
2	C 17155	SPINDLE ASSEMBLY	2
3	C 15272	WASHER - spring	2
4	C 28972	WASHER - spindle	2
5	C 28971	BEARING - spindle	4
6	C 16719	WASHER - special, spindle	4
7	NSS	ADAPTER - spindle (use C25542 and C25544)	2
8	C 24797	BLADE - 17-1/4"	2
9	195- 2037	WASHER - 7/16" x 2" OD	2
10	192- 6	LOCKWASHER - 3/8"	2
11	113- 207	BOLT - 3/8 x 1" NC hex	2
12	C 17083	BELT - mower drive	1

WHEELS, AXLE AND IDLERS



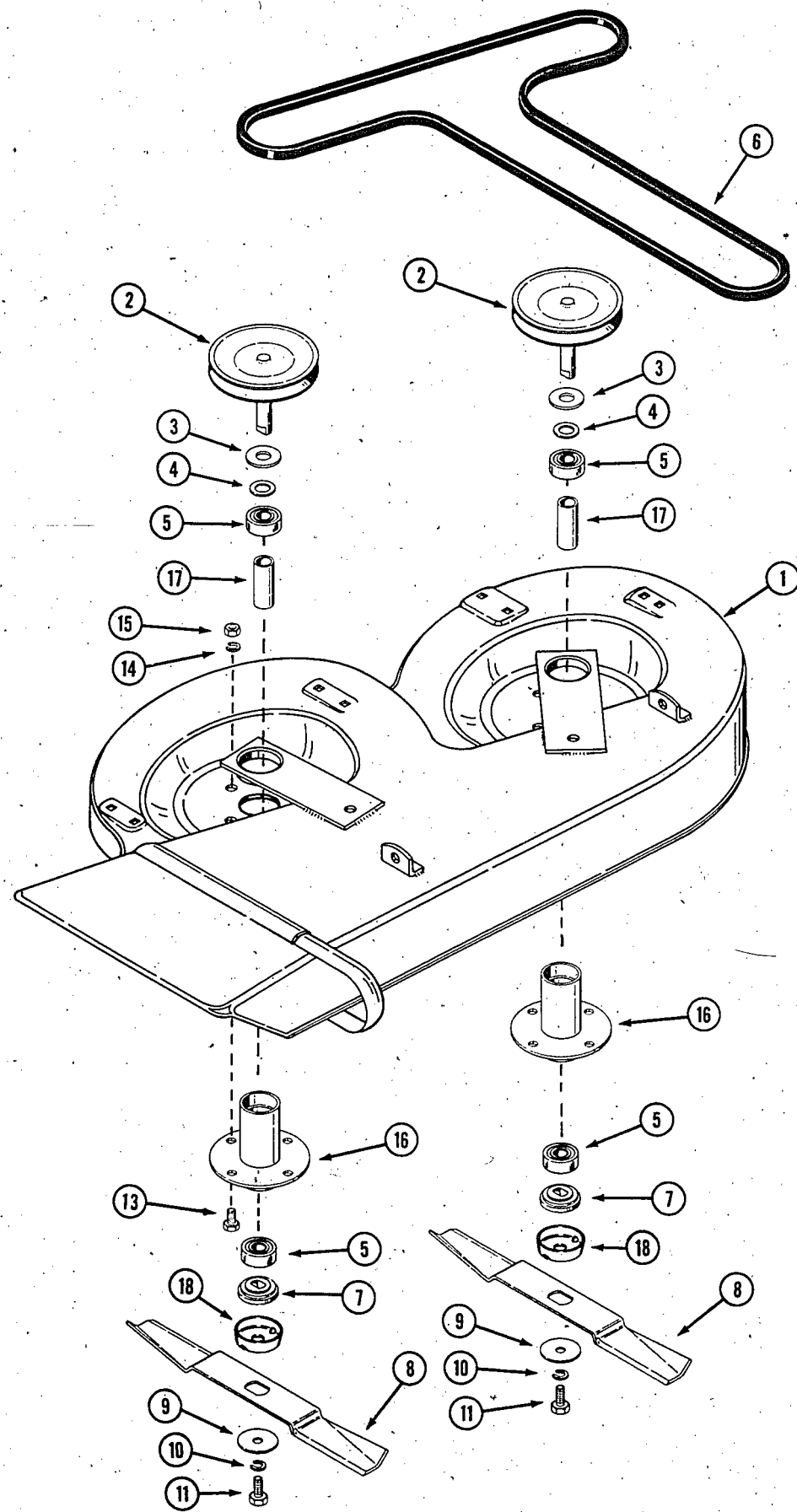
REF.	PART NO.	DESCRIPTION	REQ'D.
1	C 16745	BOLT - shoulder 3/8"	1
2	C 16714	BUSHING - idler arm	1
3	C 19084	ARM - idler	1
4	195- 533	WASHER - 1/2"	1
5	131- 178	NUT - lock 3/8" NC hex	3
6	C 17274	PULLEY - idler	1
7	111- 330	BOLT - 3/8" x 1-3/4" rd. hd. square neck	2
8	195- 103	WASHER - 3/8"	1
9	192- 21	LOCKWASHER - 3/8"	5
10	129- 103	NUT - 3/8" NC hex	4
11	C 17761	KEEPER - belt	4
12	C 15677	SPRING - idler arm	1
13	C 18899	AXLE - mower	1
14	C 16077	BRACKET - height adjust	1
15	111- 203	BOLT - 5/16" x 1" rd. hd. square neck	1
16	129- 102	NUT - 5/16" NC hex	2
17	192- 20	LOCKWASHER - 5/16"	2
18	138- 92	PIN - roll 3/16" x 3/4"	2
19	138- 77	PIN - roll	1
20	C 15618	KNOB - height adjust	1
21	C 10482	SPRING	1
22	C 15942	PIN - locking	1
23	C 26736	WHEEL - mower	1
24	C 16745	BOLT - shoulder, R.H.	2
25	C 14966	BOLT - shoulder, L.H.	1
26	195- 525	WASHER - 13/32"	8

AXLE MOUNTING AND LIFT ASSEMBLY



REF.	PART NO.	DESCRIPTION	REQ'D.
1	C 19456	BRACKET - lift assembly	1
2	C 15278	PIN - latch	2
3	C 10482	SPRING - latch	2
4	138- 2073	PIN - roll 3/16" x 1-1/4"	2
5	C 19088	"J" BOLT - adjusting	2
6	131- 1100	NUT - lock 1/2" NC hex	2
7	C 10898	PIN - safety	4
8	195- 529	WASHER - 7/16"	4
9	C 20006	PIN - lift	2
10	195- 525	WASHER - 3/8"	1
11	195- 106	WASHER - 1/2"	1
12	C 15351	BRACKET - axle mounting	2
13	C 15352	SPACER - axle	3
14	111- 203	BOLT - 5/16" x 1" rd. hd. square neck	3
15	129- 102	NUT - 5/16" NC hex	6
16	192- 20	LOCKWASHER - 5/16"	6
17	138- 96	PIN - roll 3/16" x 1"	6
18	C 16450	PIN - hair	1
19	C 27231*	BRACKET - lift adaptor	1
20	113- 207*	BOLT - 3/8" - 16 x 1" grade 5	1
21	131- 1181*	NUT - 3/8" - 16 lock	1

* Required to mount J41 mower on tractors S/N and after:
 108 - 14031940
 110 - 14032840
 116 - all

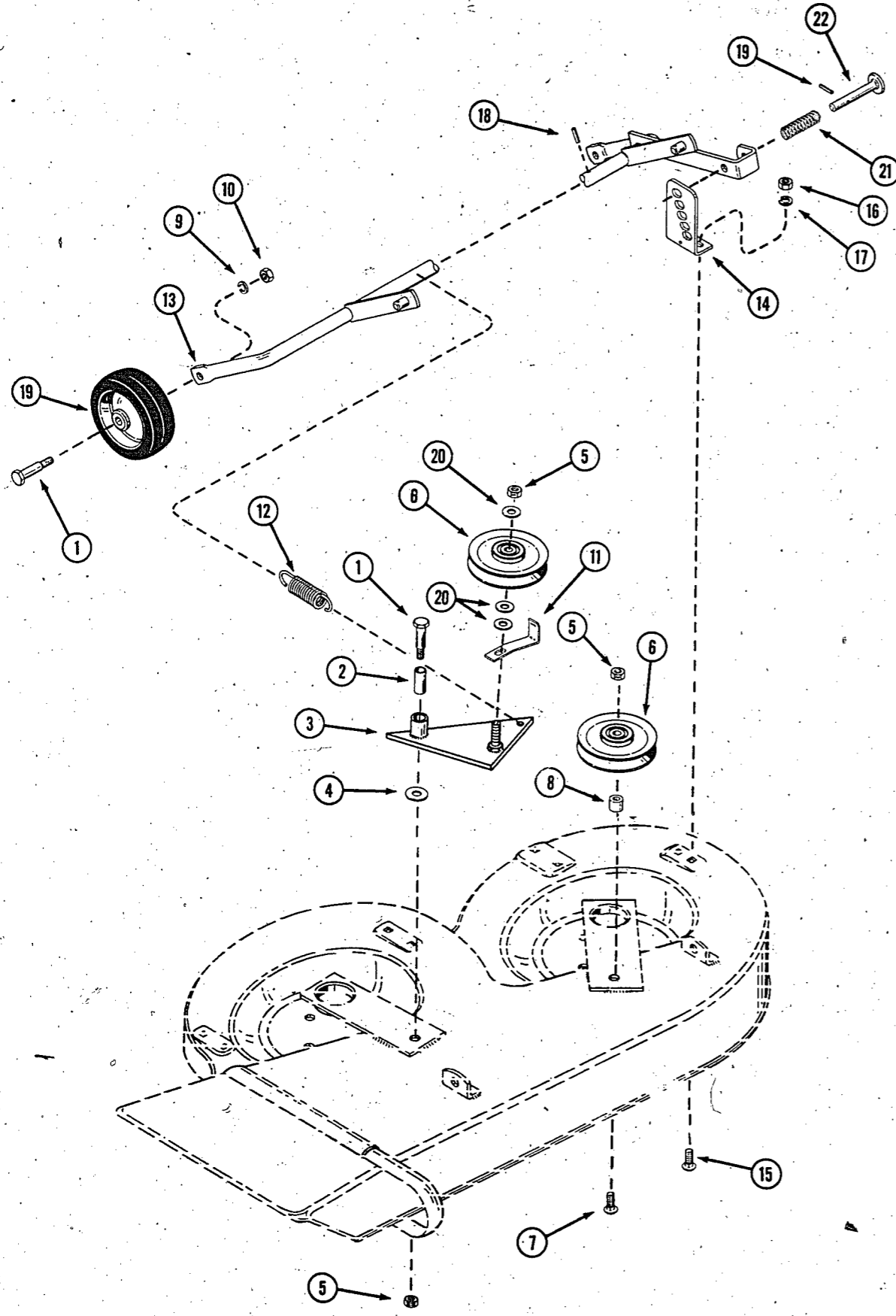


MODEL K41 ROTARY MOWER

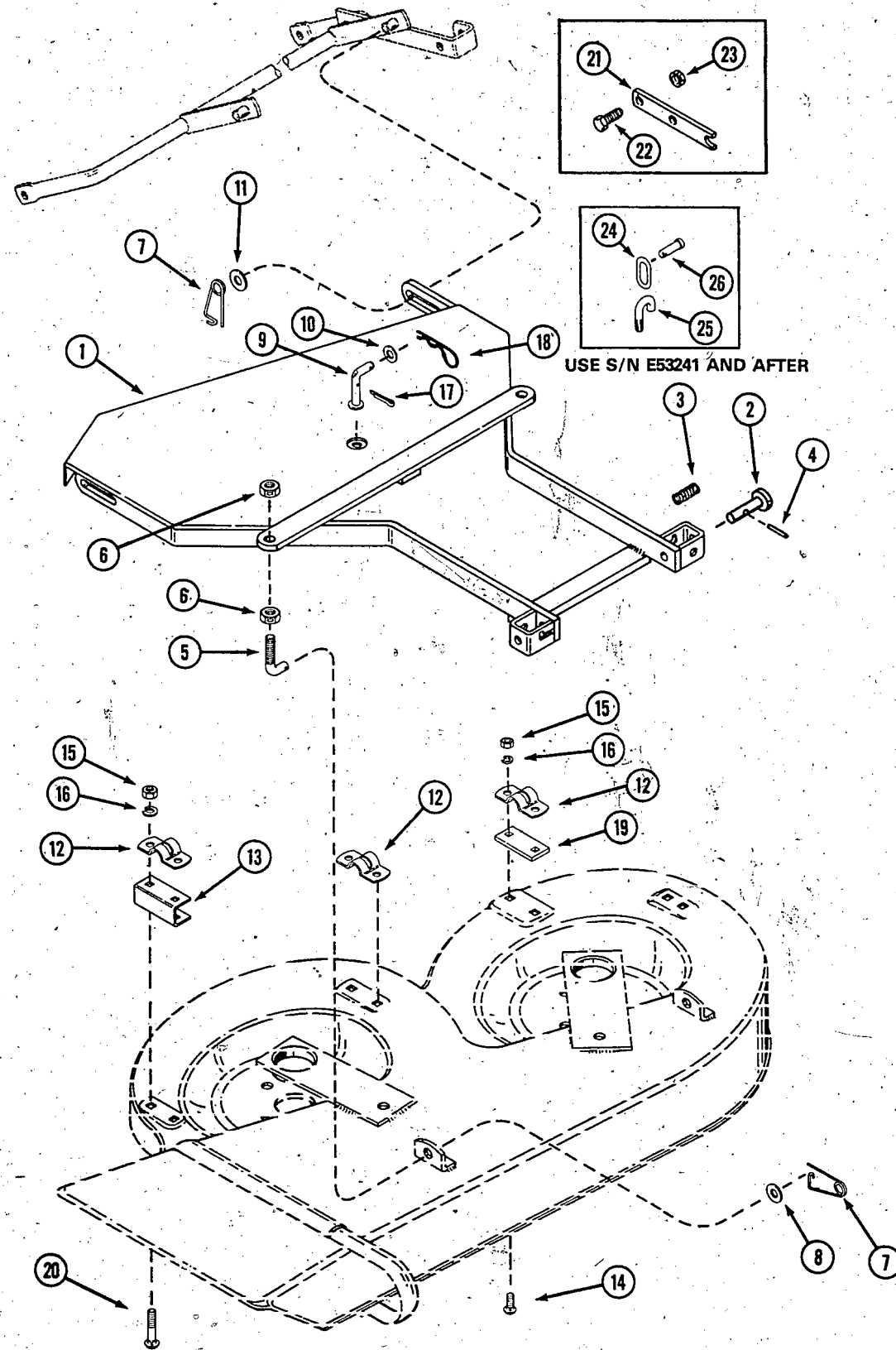
DECK, BELT AND SPINDLE ASSEMBLY

REF.	PART NO.	DESCRIPTION	REQ'D.
1	C 19457	DECK - mower 34"	1
2	C 17155	SPINDLE ASSEMBLY	2
3	C 10942	WASHER - spacer	2
4	C 28972	WASHER - spindle	4
5	C 28971	BEARING - spindle	4
6	C 17083	BELT - drive	1
7	C 25542	ADAPTER - spindle (also requires item 18 if not installed)	2
8	C 24797	BLADE - 17-1/4"	2
9	195- 2037	WASHER - 7/16" x 2" OD	2
10	192- 21	LOCKWASHER - 3/8"	2
11	113- 207	BOLT - 3/8 x 1" NC hex	2
12	C 17083	BELT - mower drive	1
13	113- 206	BOLT - 3/8 x 3/4" NC hex	8
14	192- 21	LOCKWASHER - 3/8"	8
15	129- 103	NUT - 3/8" NC hex	8
16	C 20009	HOUSING - spindle	2
17	C 21519	SPACER - spindle	2
18	C 25544	SHIELD - bearing	2

MODEL K41 ROTARY MOWER
WHEELS, AXLE AND IDLERS



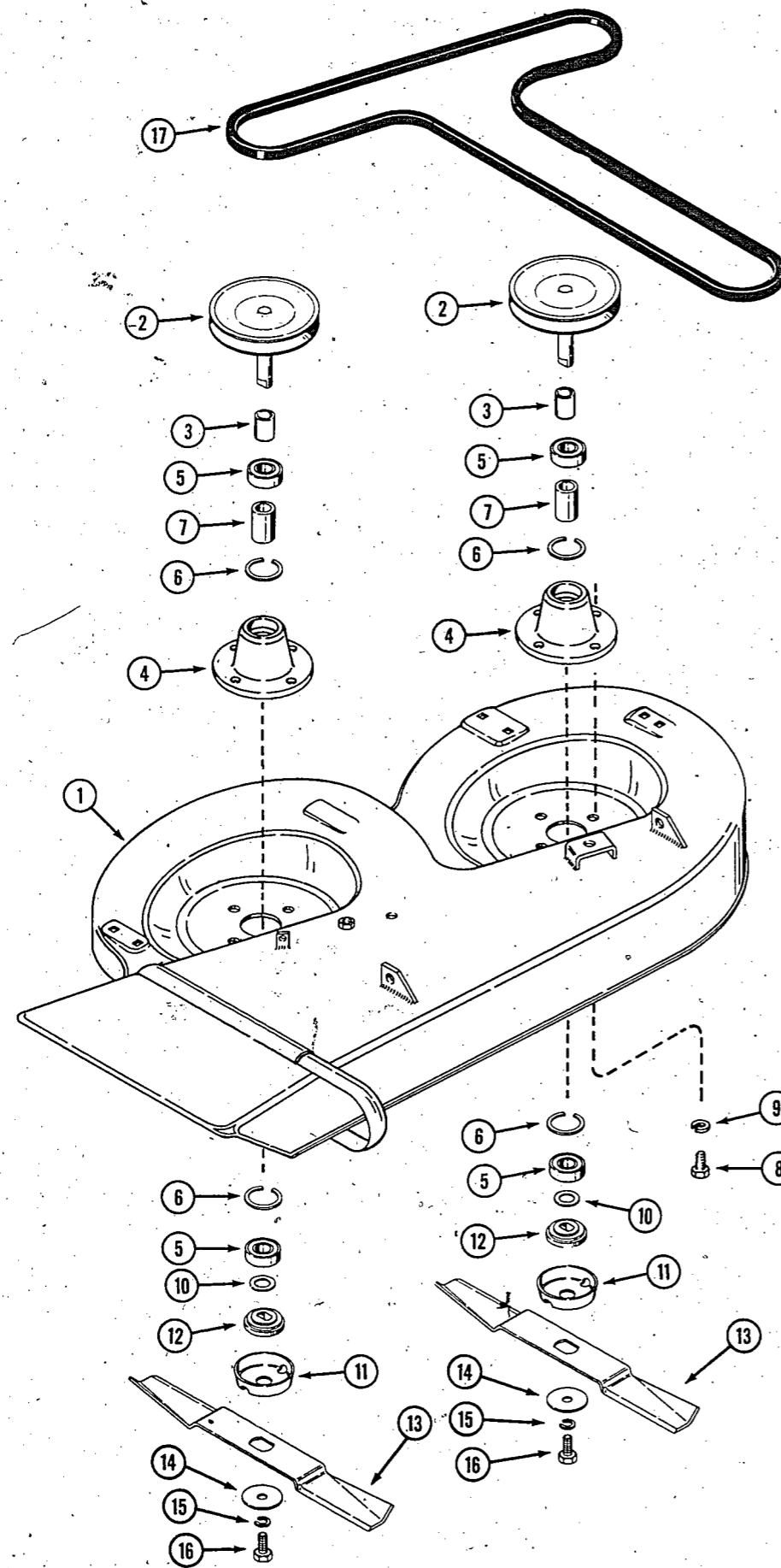
REF.	PART NO.	DESCRIPTION	REQ'D.
1	C 16745	BOLT - shoulder 3/8"	3
2	C 16714	BUSHING - idler arm	1
3	C 20016	ARM - idler	1
4	195- 533	WASHER - 1/2"	3
5	131- 1181	NUT - lock 3/8" NC hex	3
6	C 17274	PULLEY - idler	2
7	12- 632	BOLT - 3/8" x 2" rd. hd. square neck	1
8	C 20017	SPACER - idler pulley	1
9	192- 21	LOCKWASHER - 3/8"	2
10	129- 103	NUT - 3/8" NC hex	2
11	C 20013	KEEPER - belt	1
12	C 15677	SPRING - idler	1
13	C 19273	AXLE - mower	1
14	C 19259	BRACKET - height adjust	1
15	111- 203	BOLT - 5/16" x 1" rd. hd. square neck	2
16	129- 102	NUT - 5/16" NC hex	2
17	192- 20	LOCKWASHER	2
18	138- 96	PIN - roll 3/16" x 1"	2
19	C 26736	WHEEL - mower	2
20	195- 525	WASHER - 13/32 x 13/16" O.D.	3
21	C 10482	SPRING - locking pin	1
22	C 20005	PIN - locking	1



AXLE MOUNTING AND LIFT ASSEMBLY

REF.	PART NO.	DESCRIPTION	REQ'D.
1	C 19456	BRACKET - lift assembly	1
2	C 15278	PIN - latch	2
3	C 10482	SPRING - latch	2
4	138- 2073	PIN - roll 3/16" x 1-1/4"	2
5	C 19088	"J" BOLT - adjusting	2
6	131- 1181	NUT - lock 1/2" NC hex	4
7	C 10898	PIN - safety	4
8	195- 529	WASHER - 7/16"	2
9	C 20006	PIN - lift	1
10	195- 525	WASHER - 3/8"	1
11	195- 106	WASHER - 1/2"	2
12	C 18029	BRACKET - saddle	3
13	C 20007	SPACER - axle 1-1/4"	3
14	111- 202	BOLT - 5/16" x 3/4" rd. hd. square neck	4
15	129- 102	NUT - 5/16" NC hex	8
16	192- 20	LOCKWASHER - 5/16"	8
17	138- 320	PIN - cotter 3/16" x 3/4"	1
18	C 16450	PIN - hair	1
19	C 20008	SPACER - axle 1/4"	1
20	111- 207	BOLT - 5/16" x 2" round head sq. neck	2
21	C 27231*	BRACKET - lift adaptor	1
22	113- 207*	BOLT - 3/8" - 16 x 1 grade 5	1
23	131- 1181*	NUT - 3/8" - 16 lock	1
24	C 25872	LINK - lift	1
25	C 25871	BOLT - "J" lift	1
26	141- 4	PIN - clevis 3/8"	1

* Required to mount K41 mower on tractors S/N and after:
 108 - 14031940
 110 - 14032840
 116 - all

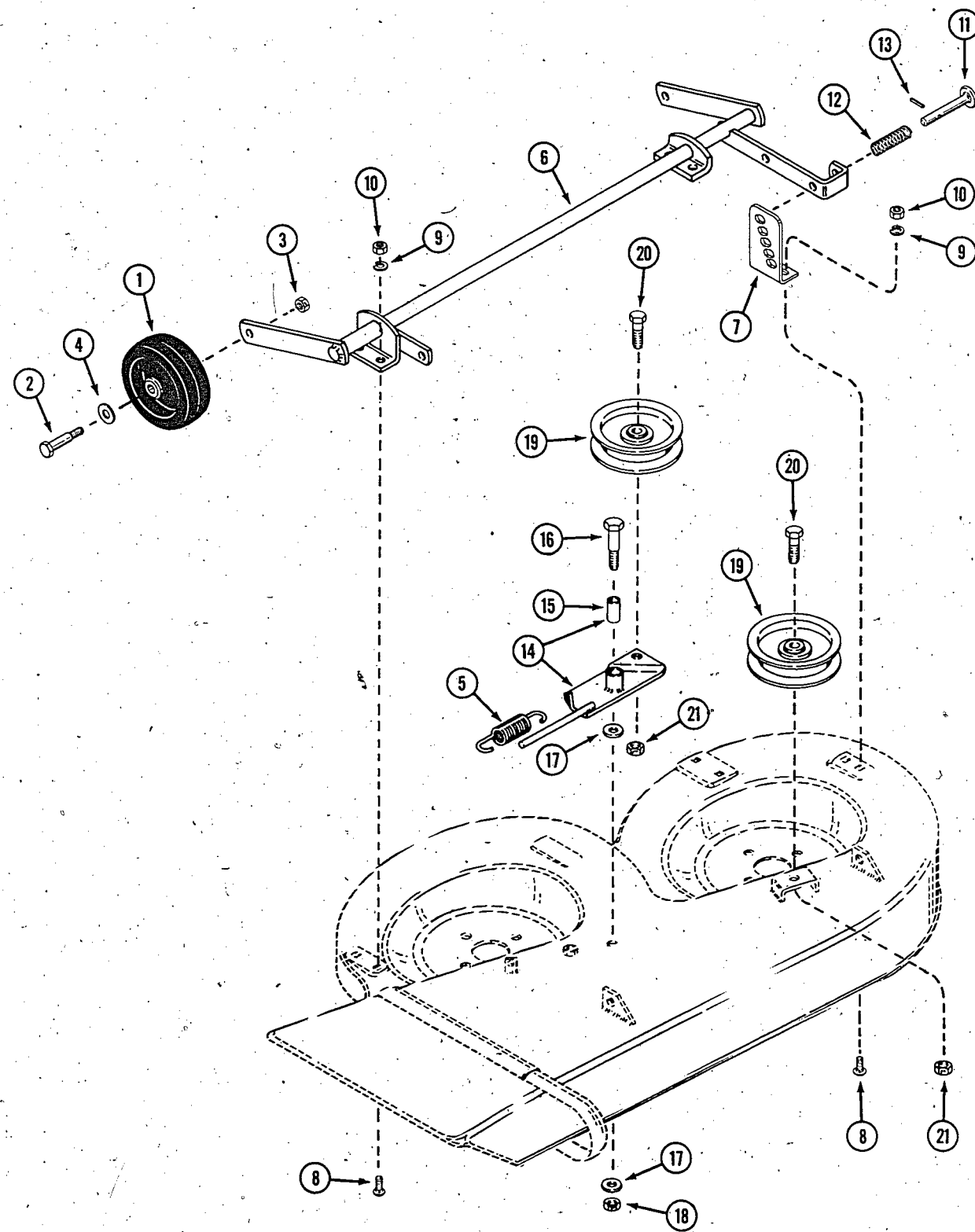


MODEL L41, M41, N41 ROTARY MOWER

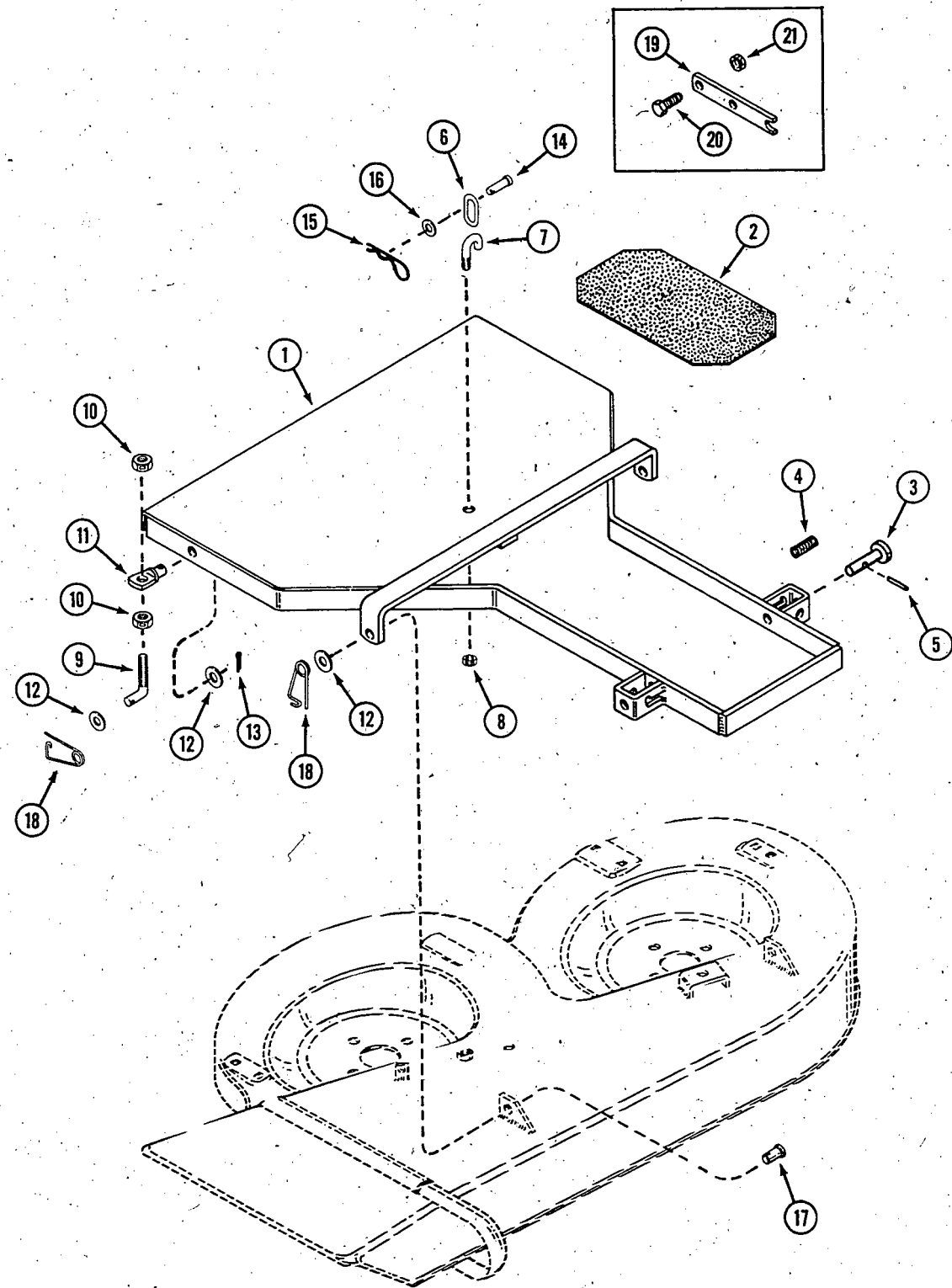
DECK, BELT AND SPINDLE ASSEMBLY

REF.	PART NO.	DESCRIPTION	REQ'D.
1	C 26071	DECK - mower	1
2	C 26076	SPINDLE - mower	2
3	C 28276	SPACER - sleeve	2
4	C 17666	HOUSING - spindle (also requires [2] A63279 S/N EE 11122 and after)	2
5	C 28971	BEARING - spindle	4
6	C 16516	RING - retaining (service part)	4
7	C 10810	SPACER - bearing	2
8	113- 206	BOLT - 3/8" - 16 x 3/4"	8
9	192- 21	LOCKWASHER - 3/8"	8
10	C 25541	SPACER - washer	2
11	C 25544	SHIELD - bearing	2
12	C 25542	ADAPTOR - spindle	2
13	C 24797	BLADE - 17-1/4"	2
14	195- 2037	WASHER - 7/16" x 2"	2
15	192- 21	LOCKWASHER - 3/8"	2
16	113- 207	BOLT - 3/8" - 16 x 1"	2
16	113- 233	BOLT - 3/8" - 16 x 1-3/4"	2
17	C 26097	BELT - drive	1

WHEELS, AXLE AND IDLERS



REF.	PART NO.	DESCRIPTION	REQ'D.
1	C 26736	WHEEL - gauge	2
2	C 16745	BOLT - shoulder	2
3	131- 1181	NUT - 3/8" lock	2
4	195- 533	WASHER - 1/2"	2
5	C 14482	SPRING - tension	1
6	C 26078	AXLE - mower	1
7	C 26086	BRACKET - height adjust	1
8	111- 132	BOLT - 5/16" - 18 x 3/4" carriage	6
9	192- 20	LOCKWASHER - 5/16"	6
10	129- 102	NUT - 5/16" - 18 hex	6
11	C 20005	PIN - height adjust	2
12	C 10482	SPRING - compression	2
13	138- 96	PIN - roll 3/16" x 1"	2
14	C 26087	ARM ASSEMBLY - idler	1
15	C 16714	BUSHING - sleeve	1
16	C 16745	BOLT - shoulder	1
17	195- 103	WASHER - 3/8"	2
18	131- 1181	NUT - lock 3/8" - 16	1
19	C 26090	PULLEY - flat	2
20	113- 410	BOLT - 1/2" - 13 x 1-1/2"	2
21	131- 1308	NUT - lock 1/2" - 13	2

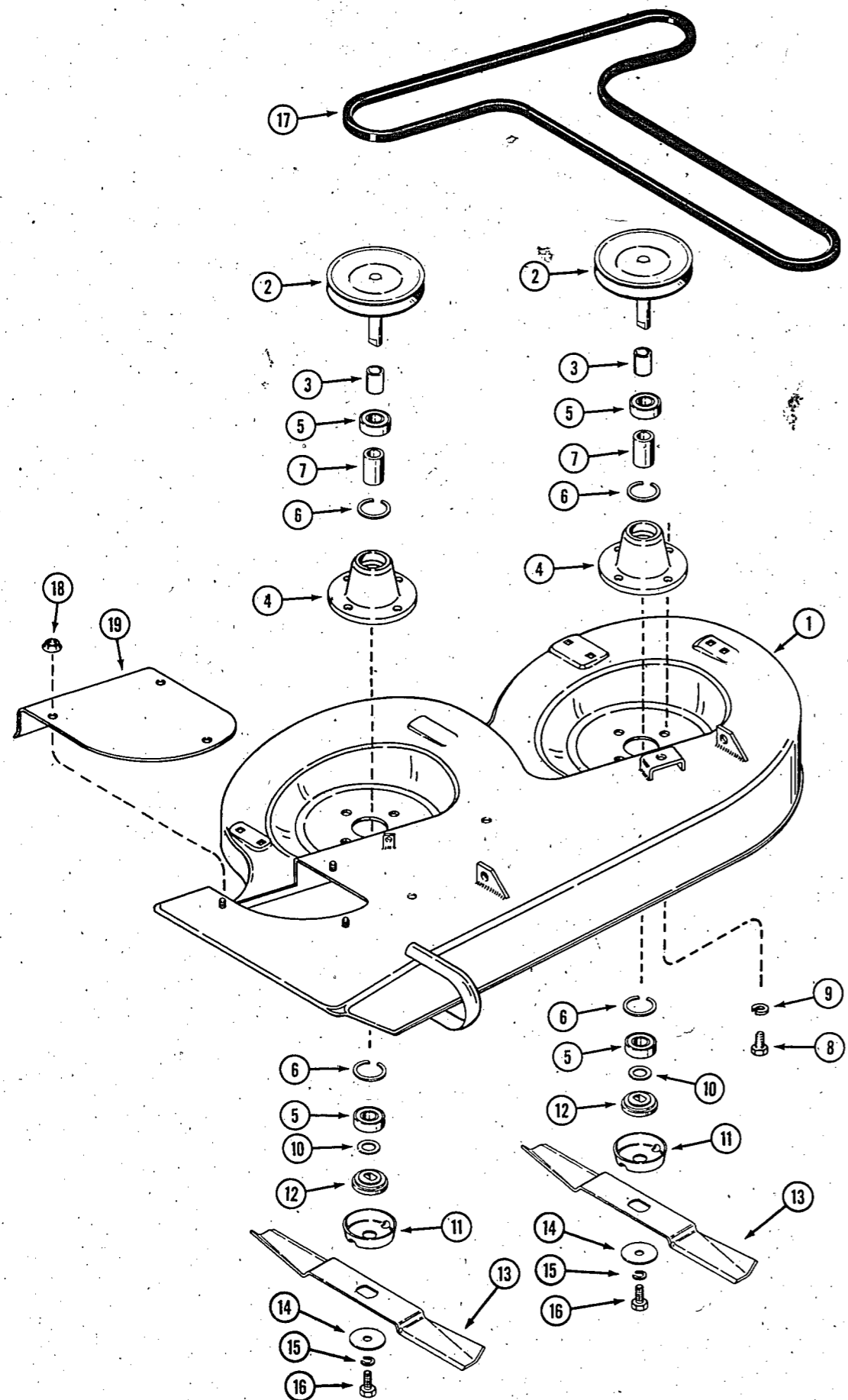


MODEL L41, M41, N41 ROTARY MOWER

MOUNTING AND LIFT ASSEMBLY

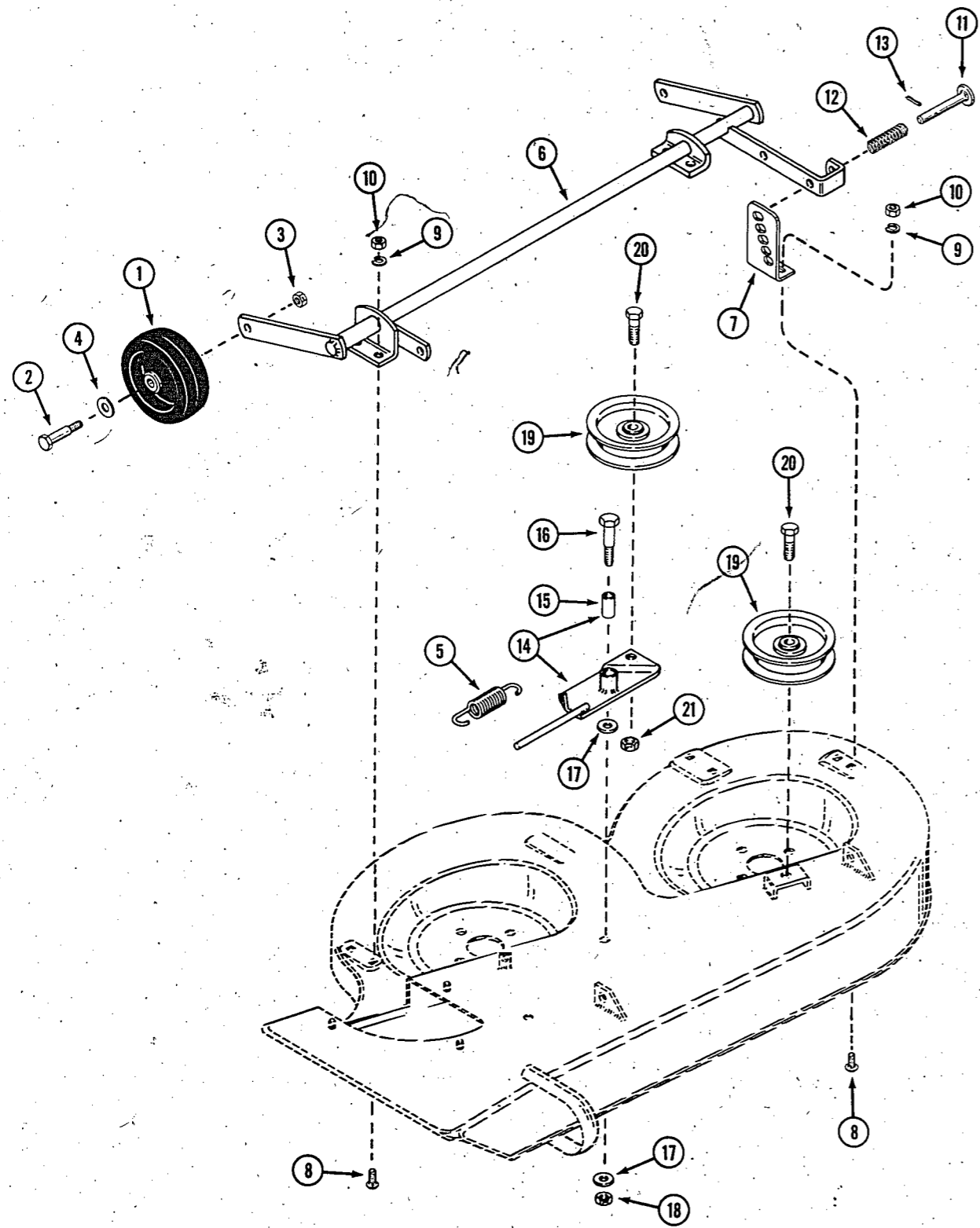
REF.	PART NO.	DESCRIPTION	REQ'D.
1	C 26093	FRAME - suspension	1
2	C 26092	PAD - foot	2
3	C 15278	PIN - latch	2
4	C 10482	SPRING - compression	2
5	138- 2073	PIN - roll 3/16" x 1-1/4"	2
6	C 25872	LINK - lift	1
7	C 25871	BOLT - "J", lift	1
8	131- 1181	NUT - lock 3/8" - 16 hex	1
9	C 19088	BOLT - "J" leveling	2
10	131- 1182	NUT - lock 1/2" - 13 hex	4
11	C 26033	LINK - adjust	2
12	195- 533	WASHER - 1/2"	6
13	132- 310	PIN - cotter 1/8" x 1"	2
14	141- 4	PIN - clevis 3/8"	1
15	C 16450	PIN - hair	1
16	195- 525	WASHER - 3/8"	1
17	C 10821	PIN - clevis 1/2"	2
18	C 10898	PIN - safety	4
19	C 27231*	BRACKET - lift adaptor (M41, N41)	1
20	113- 207*	BOLT - 3/8" - 16 x 1 grade 5	1
21	131- 1181*	NUT - lock 3/8" - 16	1

* Required to mount L41, M41, N41 mower on tractors S/N and after:
 108- 14031940
 110 - 14032840
 116 - all



MODEL P41 ROTARY MOWER
DECK, BELT AND SPINDLE ASSEMBLY

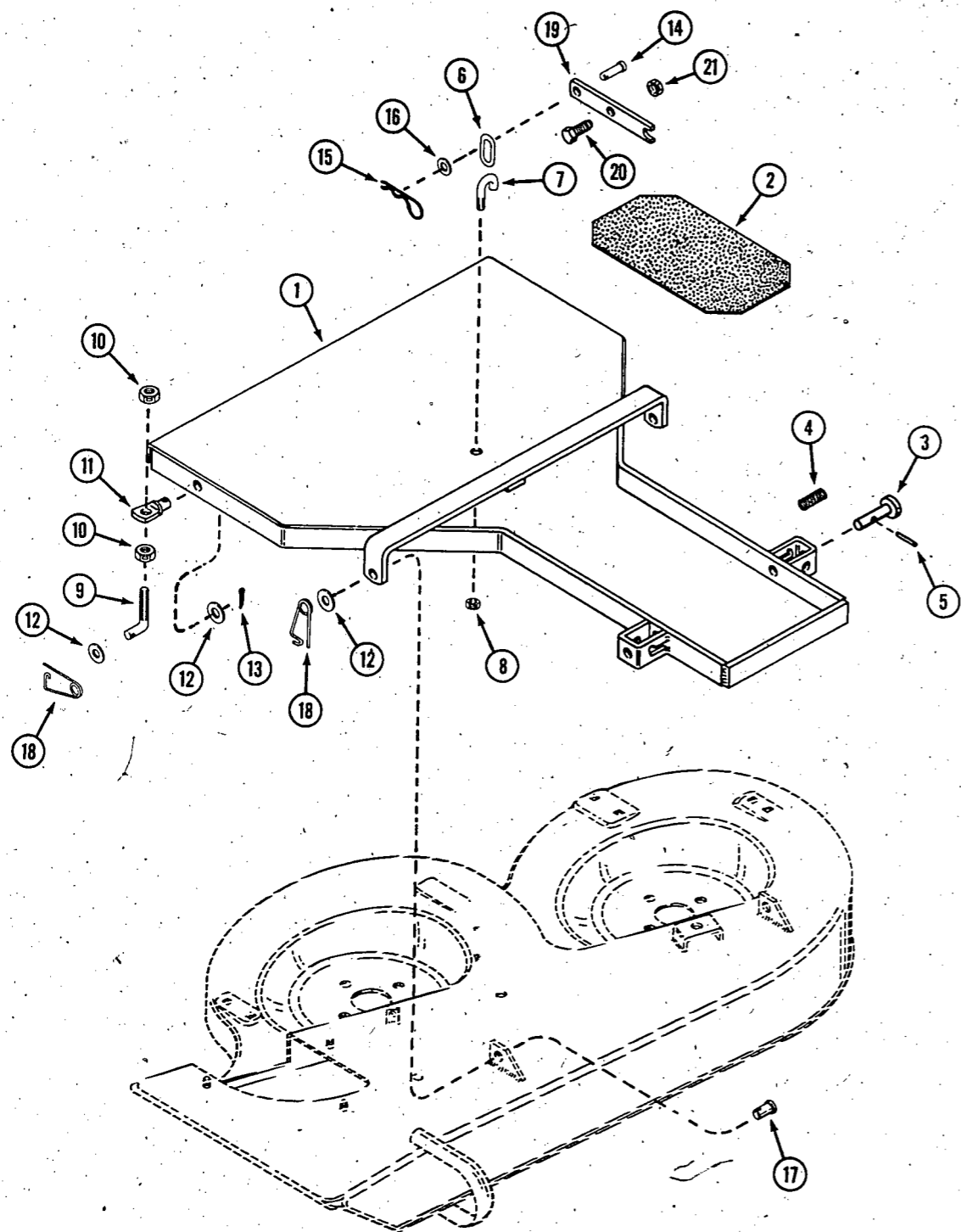
REF.	PART NO.	DESCRIPTION	REQ'D.
1	C 28477	DECK - mower	1
2	C 28481	SPINDLE - mower	2
3	C 28276	SPACER - sleeve	2
4	C 17668	HOUSING - spindle (also requires [2] A63279)	2
5	C 28971	BEARING - spindle	4
6	C 16516	RING - retaining (service part)	4
7	C 10810	SPACER - bearing	2
8	113- 206	BOLT - 3/8" - 16 x 3/4"	8
9	192- 21	LOCKWASHER - 3/8"	8
10	C 25541	SPACER - washer	2
11	C 25544	SHIELD - bearing	2
12	C 25542	ADAPTOR - spindle	2
13	C 28482	BLADE - 17-1/4"	2
14	195- 2037	WASHER - 7/16" x 2"	2
15	192- 21	LOCKWASHER - 3/8"	2
16	113- 233	BOLT - 3/8" - 16 x 1-3/4"	2
17	C 27023	BELT - drive	1
18	131- 931	NUT - 5/16" - 18 flanged	3
19	C 28483	COVER - chute	1



MODEL P41 ROTARY MOWER

WHEELS, AXLE AND IDLERS

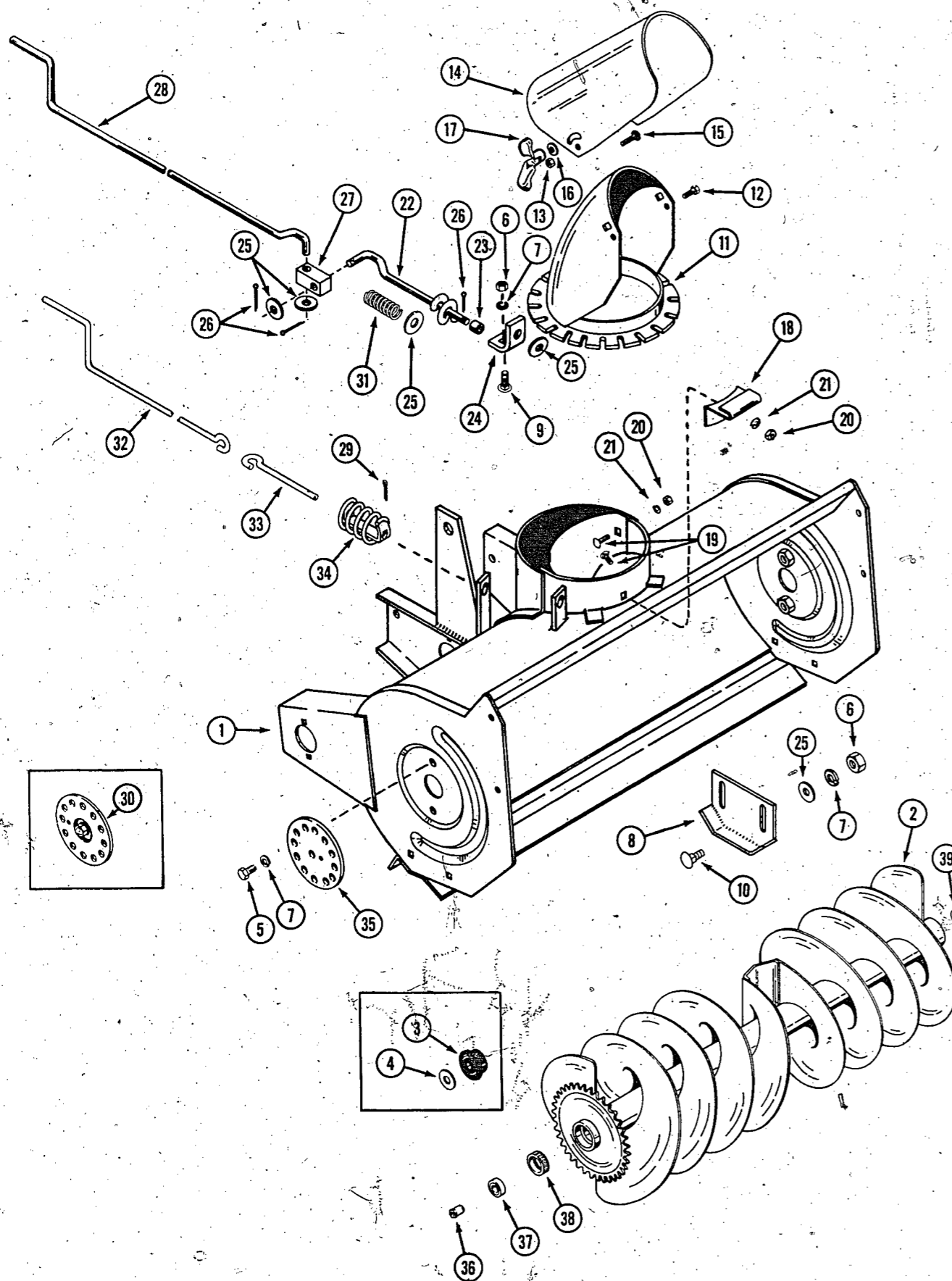
REF.	PART NO.	DESCRIPTION	REQ'D.
1	C 26736	WHEEL - gauge	2
2	C 16745	BOLT - shoulder	2
3	131- 1181	NUT - 3/8" lock	2
4	195- 533	WASHER - 1/2"	2
5	C 14482	SPRING - tension	1
6	C 26078	AXLE - mower	1
7	C 26086	BRACKET - height adjust	1
8	111- 132	BOLT - 5/16" - 18 x 3/4" carriage	6
9	192- 20	LOCKWASHER - 5/16"	6
10	129- 102	NUT - 5/16" - 18 hex	6
11	C 20005	PIN - height adjust	2
12	C 10482	SPRING - compression	2
13	138- 96	PIN - roll 3/16" x 1"	2
14	C 26087	ARM ASSEMBLY - idler	1
15	C 16714	BUSHING - sleeve	1
16	C 16745	BOLT - shoulder	1
17	195- 103	WASHER - 3/8"	2
18	131- 1181	NUT - lock 3/8" - 16	1
19	C 26090	PULLEY - flat	2
20	113- 410	BOLT - 1/2" - 13 x 1-1/2"	2
21	131- 1308	NUT - lock 1/2" - 13	1



MOUNTING AND LIFT ASSEMBLY

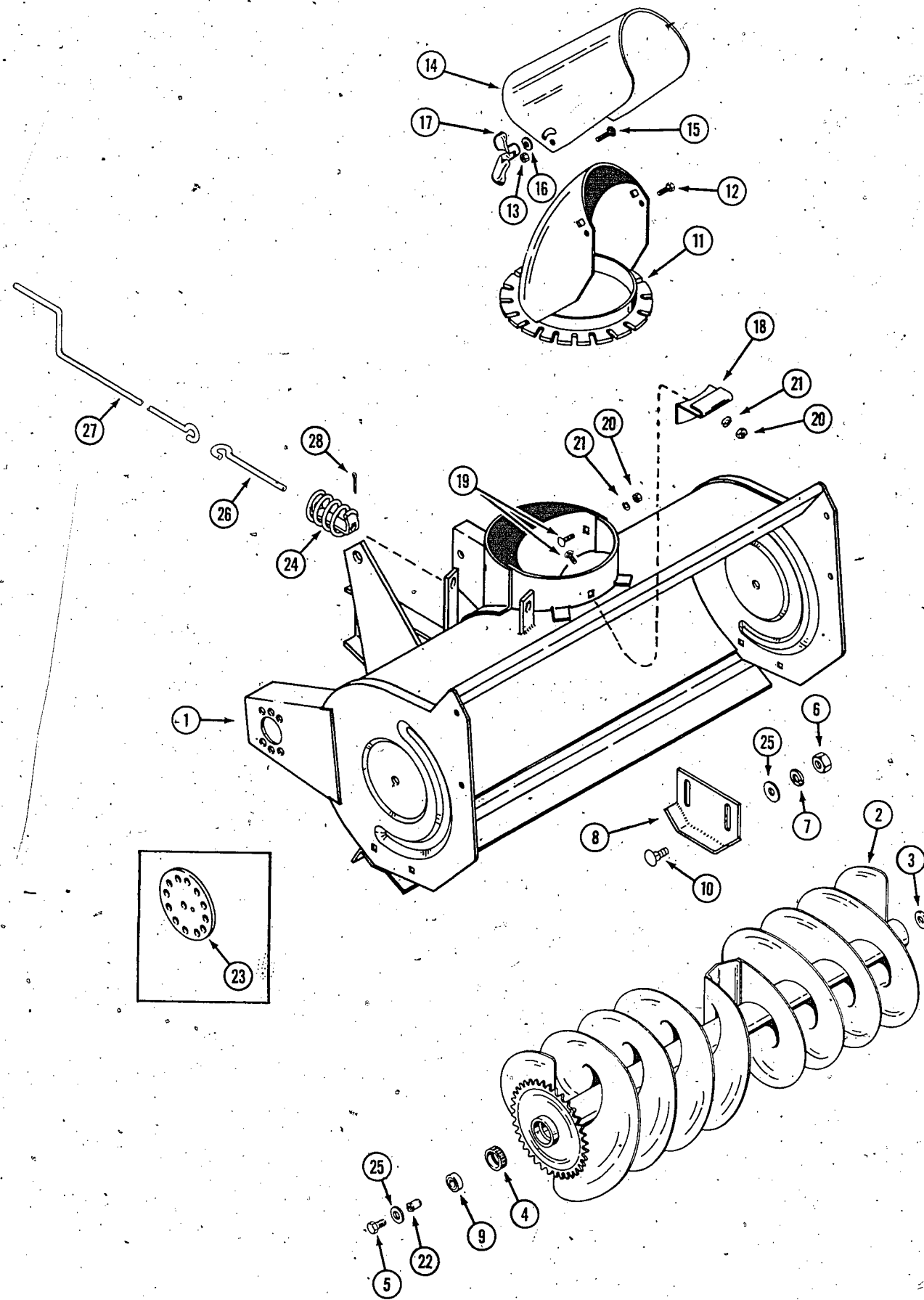
REF.	PART NO.	DESCRIPTION	REQ'D.
1	C 26093	FRAME - suspension	1
2	C 26092	PAD - foot	2
3	C 15278	PIN - latch	2
4	C 10482	SPRING - compression	2
5	138- 2073	PIN - roll 3/16" x 1-1/4"	2
6	C 25872	LINK - lift	2
7	C 25871	BOLT - "J", lift	1
8	131- 1181	NUT - lock 3/8" - 16 hex	1
9	C 19088	BOLT - "J" leveling	1
10	131- 1182	NUT - lock 1/2" - 13 hex	2
11	C 26033	LINK - adjust	4
12	195- 533	WASHER - 1/2"	2
13	132- 310	PIN - cotter 1/8" x 1"	6
14	141- 4	PIN - clevis 3/8"	2
15	C 16450	PIN - hair	1
16	195- 525	WASHER - 3/8"	1
17	C 10821	PIN - clevis 1/2"	1
18	C 10898	PIN - safety	2
19	C 27231*	BRACKET - lift adaptor	4
20	113- 207*	BOLT - 3/8" - 16 x 1 grade 5	1
21	131- 1181*	NUT - lock 3/8" - 16	1

* Required to mount mower on tractors S/N and after:
 108 - 14031940
 110 - 14032840
 116 - all



AUGER AND CHUTE ASSEMBLY

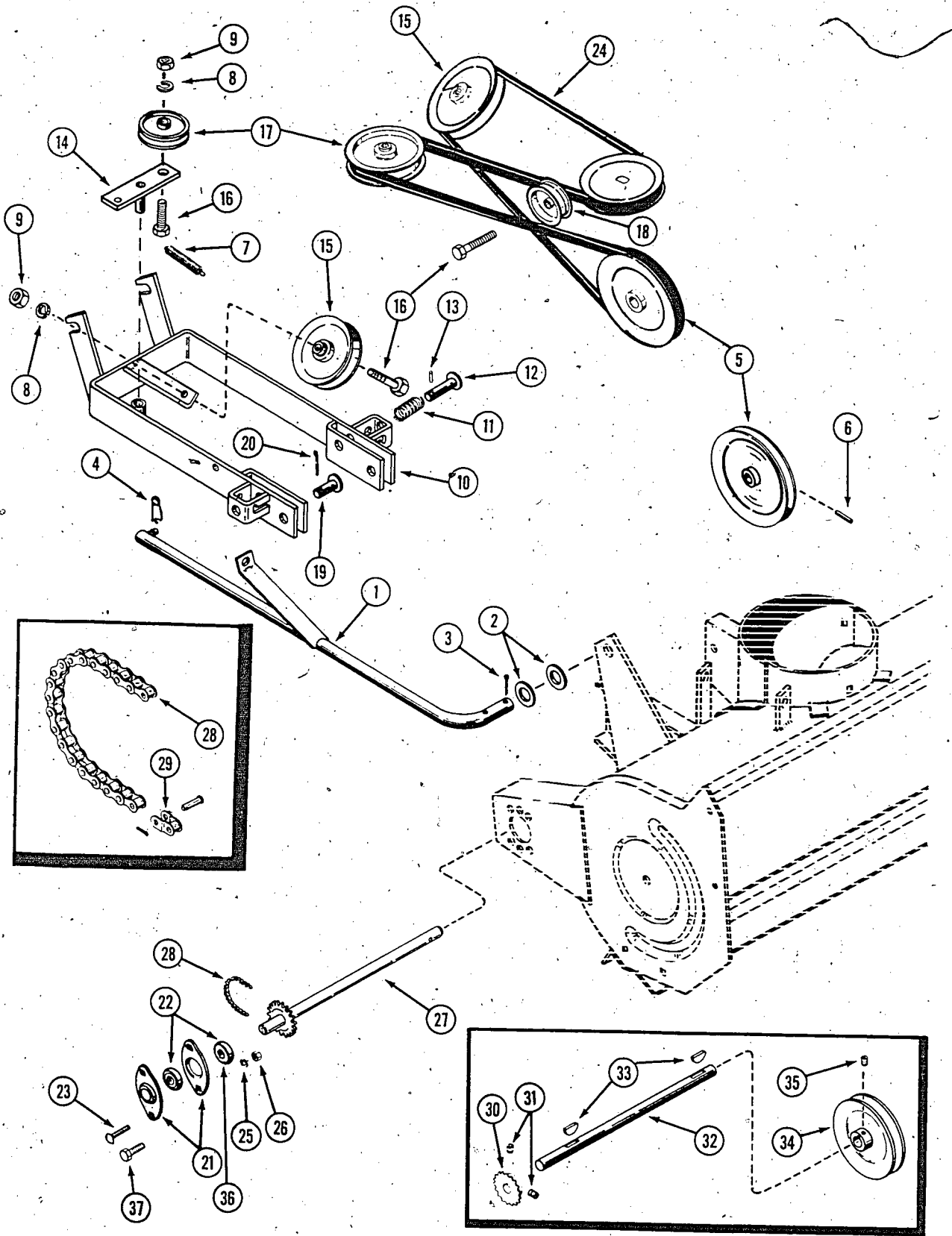
REF.	PART NO.	DESCRIPTION	REQ'D.
1	NSS	HOUSING - auger 32" (J81) (order C25183, C24705, C24643, C24640 and 132-300)	1
1	C 25183	HOUSING - auger 32" (K, L, M81)	1
2	C 25206	AUGER - includes items 36, 37 and 38 (M81)	1
2	C 15297	AUGER - (J, K, L81)	1
3	C 14421	BEARING - auger (J, K, L81)	2
4	195- 545	WASHER - 3/4" (J, K, L81)	UAR
5	113- 206	BOLT - 3/8" NC x 3/4" hex	4
6	129- 103	NUT - 3/8" NC hex	5
7	192- 21	LOCKWASHER - 3/8"	9
8	C 17775	SKID	2
9	111- 302	BOLT - 3/8" NC x 3/4" rd. hd. square neck (J81)	1
10	111- 371	BOLT - 3/8" NC x 1" rd. hd. square neck	4
11	C 15248	CHUTE	1
12	113- 1	BOLT - 1/4" NC x 1/2" hex	2
13	131- 1102	LOCKNUT - 1/4" NC hex	2
14	C 16940	DEFLECTOR	1
15	111- 340	BOLT - 3/8" NC x 3/4" rd. hd. square neck	2
16	C 28263	WASHER - dished 25/64" x 1"	2
17	C 22774	WING NUT - deflector lock	2
18	C 15334	BRACKET - chute hold down	3
19	111- 202	BOLT - 5/16" NC x 3/4" rd. hd. square neck	2
20	129- 102	NUT - 5/16" NC hex	2
21	192- 20	LOCKWASHER - 5/16"	3
22	C 15244	ROD - chute control (J81)	1
23	C 15277	SPACER - rod, chute control (J81)	1
24	C 15240	BRACKET - control rod (J81)	1
25	195- 525	WASHER - 3/8" plain	8
26	132- 320	PIN - cotter 3/32" x 3/4" (J81)	3
27	C 14583	JOINT - block (J81)	1
28	C 15371	CRANK - chute control (J81)	1
29	132- 310	PIN - cotter 1/8" x 1" (K, L, M81)	1
30	C 19734	PLATE - stub shaft (J, K, L81)	2
31	C 17612	SPRING - compression (J81)	1
32	C 24705	CRANK - chute control (K, L, M81)	1
33	C 24643	ROD - chute control (K, L, M81)	1
34	C 24640	COIL - chute control (K, L, M81)	1
35	C 25842	HUB - auger (M81)	2
36	C 25841	SHAFT - stub (M81)	2
37	C 28971	BEARING - auger (M81)	2
38	C 25840	SLEEVE - bearing (M81)	2
39	195- 522	WASHER - spacer (M81)	UAR



MODEL N81, P81, AND R81 SNOWCASTER

AUGER AND CHUTE ASSEMBLY

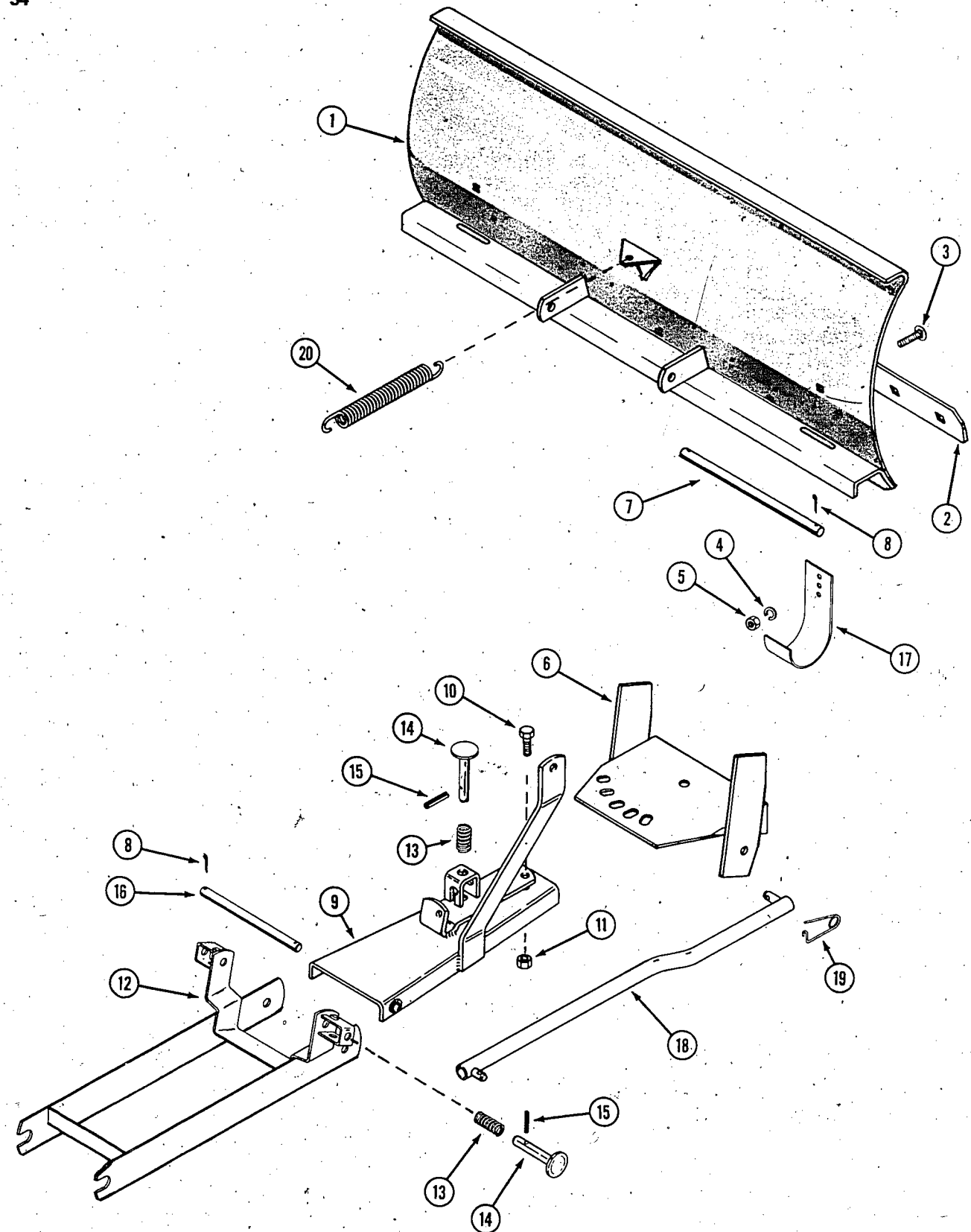
REF.	PART NO.	DESCRIPTION	REQ'D.
1	C 27087	HOUSING - auger 32" (P81, R81) shown	1
1	NSS	HOUSING - auger 32" (N81) use C27087 and (2) 113-102	1
2	C 25206	AUGER - includes items 4, 9 and 22	1
3	195- 522	WASHER - spacer	1
4	C 25840	SLEEVE - bearing	UAR
5	113- 207	BOLT - 3/8" NC x 1" hex (use lock tite for installation)	2
6	129- 103	NUT - 3/8" NC hex	2
7	192- 21	LOCKWASHER - 3/8"	4
8	C 17775	SKID	4
9	C 28971	BEARING - auger	2
10	111- 371	BOLT - 3/8" NC x 1" rd. hd. square neck	1
11	C 15248	CHUTE	4
12	113- 1	BOLT - 1/4" NC x 1/2" hex	1
13	131- 1102	LOCKNUT - 1/4" NC hex	2
14	C 16940	DEFLECTOR	2
15	111- 340	BOLT - 3/8" NC x 3/4" rd. hd. square neck	1
16	C 28263	WASHER - dished 25/64" x 1"	2
17	C 22774	WING NUT - deflector lock	2
18	C 15334	BRACKET - chute hold down	2
19	111- 202	BOLT - 5/16" NC x 3/4" rd. hd. square neck	3
20	129- 102	NUT - 5/16" NC hex	2
21	192- 20	LOCKWASHER - 5/16"	2
22	C 25841	SHAFT - stub	3
23	C 25842	HUB - auger (N81)	2
24	C 24640	COIL - chute control	1
25	195- 525	WASHER - 3/8" plain	1
26	C 24643	ROD - chute control	6
27	C 24705	CRANK - chute control	1
28	132- 310	PIN - cotter 1/8" x 1"	1



USED PRIOR TO S/N H30473

MOUNTING COMPONENTS AND DRIVE ASSEMBLY

REF.	PART NO.	DESCRIPTION	REQ'D.
1	C 15375	ROD - lift (J81, K81, L81, M81) shown	1
1	C 27085	ROD - lift (N81, P81, R81)	1
2	195- 549	WASHER - 7/8" ZP	2
3	132- 332	PIN - cotter 3/32" x 1-1/2"	2
4	C 10898	PIN - safety	1
5	C 19824	PULLEY - 6" (J81, K81)	1
5	C 19731	PULLEY - 6" (L81, M81, N81, P81, R81)	1
6	138- 2073	PIN - roll 3/16" x 1-1/4" (J81, K81)	1
6	138- 2040	PIN - roll 1/4" x 1-1/2" (L81, M81, N81, P81, R81)	1
7	C 15671	SPRING - idler arm	1
8	192- 21	LOCKWASHER - 3/8" ZP	3
9	129- 103	NUT - 3/8" NC hex, ZP	3
10	C 15288	BRACKET - mounting	1
11	C 10482	SPRING	1
12	C 15278	PIN - latch	2
13	138- 2073	PIN - roll 3/16" x 1-1/4"	2
14	C 15296	ARM - idler	1
15	C 15329	PULLEY - idler	1
16	113- 219	BOLT - 3/8" x 2" NC hex	3
17	C 15343	PULLEY - idler 4-1/2"	1
18	C 15672	PULLEY - idler 2-1/2"	1
19	141- 56	PIN - clevis 1/2"	2
20	132- 310	PIN - cotter 1/8" x 1"	2
21	C 15386	FLANGETTE - (J81 and K81)	4
21	C 28277	FLANGETTE - (L81, M81, N81, P81, R81)	4
22	C 28871	BEARING - 3/4" (L81, M81, N81, P81, R81)	2
22	C 15385	BEARING - includes collar and setscrew (J81 and K81)	2
23	111- 108	BOLT - 1/4" x 3/4" NC rd. hd. square neck (J81, K81)	4
23	111- 202	BOLT - 5/16" - 18 x 3/4" carriage (L81, M81, N81, P81, R81)	2
24	C 23950	BELT - drive	1
25	192- 19	LOCKWASHER - 1/4" ZP (J81, K81)	4
25	192- 20	LOCKWASHER - 5/16" (L81, M81, N81, P81, R81)	4
26	129- 101	NUT - 1/4" NC hex, ZP (J81, K81)	4
26	129- 102	NUT - 5/16" - 18 (L81, M81, N81, P81, R81)	4
27	C 19821	SHAFT ASSEMBLY - drive (J81, K81)	1
27	C 25186	SHAFT ASSEMBLY - drive (L81, M81, N81, P81, R81)	1
28	C 18775	CHAIN - auger drive, 82 pitches, #35 roller chain	1
29	C 28805	LINK - offset, #35 roller chain	2
	C 28645	CONNECTOR LINK - #35	1
30	C 15330	SPROCKET - 18T (includes setscrew) used prior to S/N H30473	1
31	83- 44	SETSCREW - 1/4" NC socket head	2
32	C 15331	SHAFT - drive (used prior to S/N H30473)	1
33	126- 16	KEY - 3/16" x 3/4"	2
34	C 15293	PULLEY - 6" (used prior to S/N H30473)	1
35	178- 858	SETSCREW - 5/16" x 3/8" NC socket head cup point	1
36	C 29024	COLLAR - locking (L81, M81, N81, P81, R81)	2
37	113- 102	BOLT - 5/16" - 18 x 3/4"	2



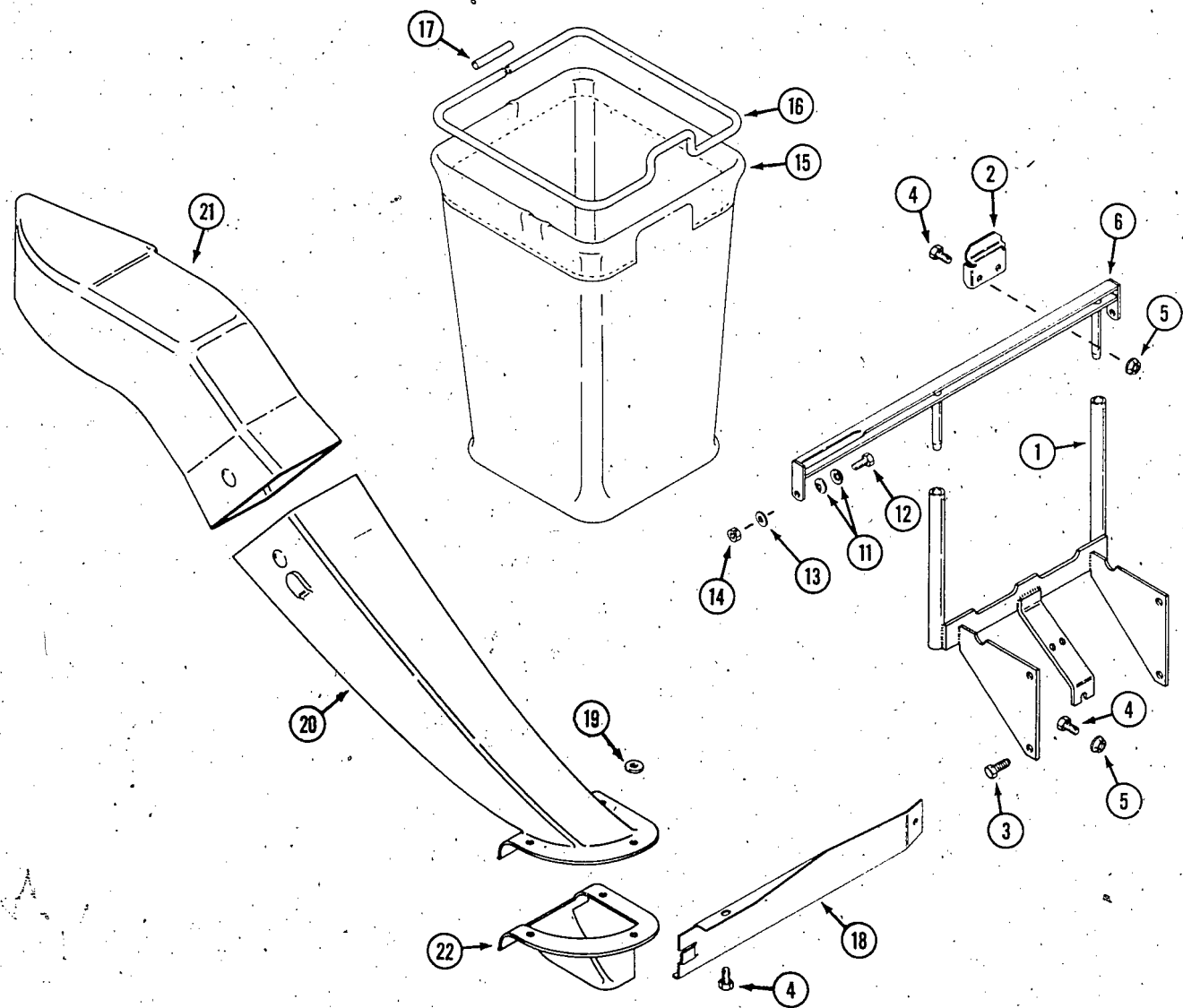
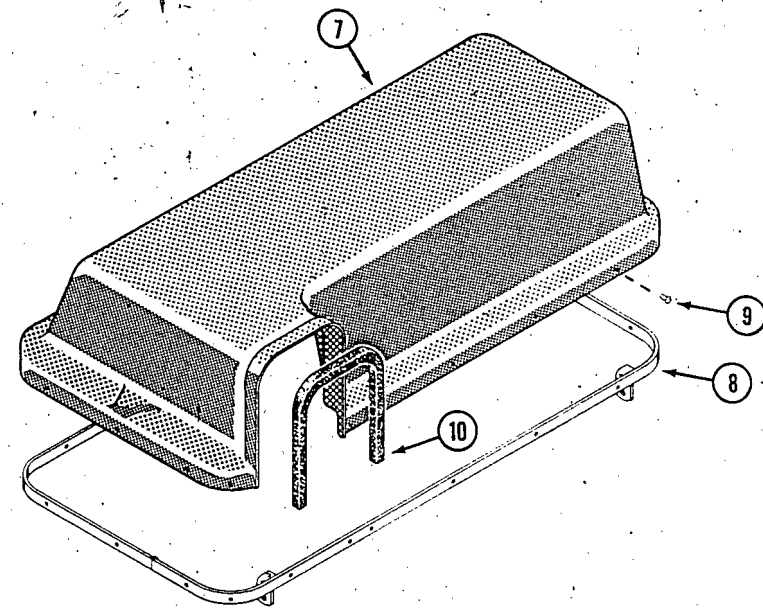
MODEL G51, H51 AND J51 UTILITY BLADE

UTILITY BLADE

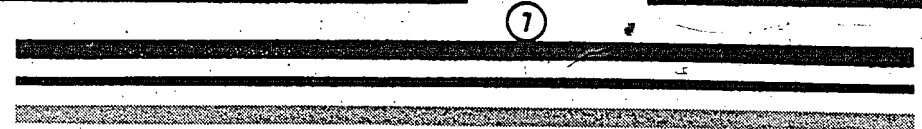
REF.	PART NO.	DESCRIPTION	REQ'D.
1	C 15461	BLADE ASSEMBLY - 38"	1
2	C 15462	EDGE - cutting	1
3	111- 203	BOLT - 5/16" x 1" NC round head, square neck	10
4	192- 20	LOCKWASHER - 5/16"	10
5	129- 102	NUT - 5/16" NC hex	10
6	C 15494	PIVOT - blade	1
7	C 15495	PIN - blade pivot	1
8	132- 310	PIN - cotter 1/8" x 1"	4
9	N S S	BRACKET - push (G51) use C27080 and C27083	1
9	C 27080	BRACKET - push (H51, J51) shown	1
10	113- 417	BOLT - 1/2" x 1-1/4" NC hex	1
11	131- 165	NUT - 1/2" NC hex	1
12	C 15463	BRACKET - mounting	1
13	C 10482	SPRING - compression	3
14	C 15278	PIN - latch	3
15	138- 99	PIN - roll 3/16" x 1-3/8"	3
16	C 15496	PIN - bracket pivot	1
17	C 15469	SHOE - skid	2
18	C 15497	ROD - lift (G51)	1
18	C 27083	PIPE - lift (H51, J51) shown	1
19	C 10898	PIN - safety	2
20	C 27779	SPRING - blade extension	1

BAGGER

REF.	PART NO.	DESCRIPTION	REQ'D.
1	C 28429	BRACKET - mounting	1
2	C 28436	BRACKET - retaining, hopper	2
3	113- 207	BOLT - 3/8" x 1"	4
4	113- 102	BOLT - 5/16" x 3/4"	7
5	131- 911	NUT - 5/16" flanged	6
6	C 28434	FRAME - support	1
7	C 24685	COVER - bagger	1
8	C 24494	HINGE - cover	1
9	151- 88	RIVET - 3/16" x 5/16"	17
10	C 24610	SEAL - chute	1
11	C 25114	SPRING WASHER - Belleville	4
12	113- 103	BOLT - 5/16" - 18 x 1"	2
13	195- 521	WASHER - 5/16"	2
14	131- 176	NUT - 5/16 - 18 lock	2
15	C 28438	HOPPER	2
16	C 28439	REINFORCEMENT - metal	2
17	C 28440	TUBE - retaining	2
18	C 28446	BAFFLE - mower	1
19	195- 521	WASHER - 5/16"	3
20	C 28441	CHUTE - lower	1
21	C 28448	CHUTE - upper	1
22	C 29038	BOOT - mower	1



INGERSOLL **hi cast 32**



! DANGER

SPINNING BLADE
KEEP CLEAR
CONTACT CAN INJURE

! WARNING

ROTATING AUGER
TO AVOID SEVERE INJURY,
KEEP HANDS OUT OF AUGER AND DISCHARGE
CHUTE WHILE ENGINE IS RUNNING

! WARNING

FLYING DEBRIS
OPERATE MOWER ONLY
WITH DISCHARGE CHUTE
GUARD/COVER OR COMPLETE
GRASS CATCHER IN PLACE.
DEBRIS MAY CAUSE INJURY

! CAUTION

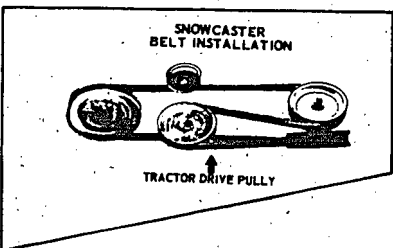
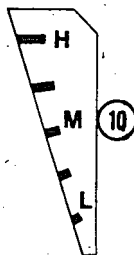
FLYING DEBRIS
1. DO NOT RAISE COVER WHILE OPERATING.
2. PROPERLY INSTALL BAGGER AND CHUTE
BEFORE STARTING MOWER. SEE OPER-
ATOR'S MANUAL FOR FURTHER
INSTRUCTIONS.

! DANGER

SPINNING BLADE
SEE OPERATOR'S MANUAL BEFORE
ATTEMPTING TO CLEAR PLUGGED
DISCHARGE CHUTE.
CONTACT WITH BLADE CAN RESULT IN
SERIOUS INJURY.

! CAUTION

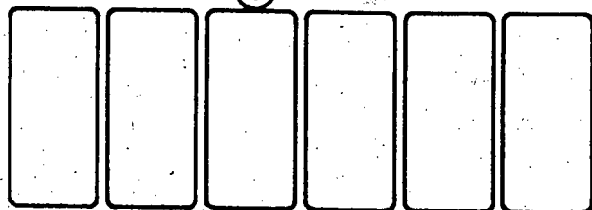
KEEP HANDS AND FEET
CLEAR OF THIS AREA
BLADE TILTS WITH
SPRING TRIP ACTION
PINCH POINTS
COULD CAUSE
PERSONAL INJURY



38

CASE

CASE



DECALS

REF.	PART NO.	DESCRIPTION	REQ'D.
1	321- 4199	DECAL - "Rotating Auger" (all casters)	1
2	C 16102	DECAL - drive belt (all casters)	1
3	C 27198	DECAL - "Hi Cast" (N81, P81)	1
4	321- 6379	DECAL - "CASE"	1
5	C 27937	DECAL - "Hi Cast" (R81)	1
6	NSS	DECAL - "CASE" (Use 321-6379)	1
7	C 27972	DECAL - stripe (cut to length)	1
8	C 27973	DECAL - "INGERSOLL"	1
9	321- 6380	DECAL - white tred (M81)	1
10	321- 6433	DECAL - cutting height (all mowers)	UAR
11	321- 4381	DECAL - "Spinning Blade" (all mowers)	1
12	C 28428	DECAL - "Flying Debris" (P41, R41, B96)	1
13	321- 4686	DECAL - "Pinch Points" (all blades)	1
14	C 27940	DECAL - 38" (J51)	1
15	321- 4447	DECAL - "Spinning Blade" (B96)	1
16	321- 4446	DECAL - "Flying Debris" (B96)	1
17	C 27201	DECAL - utility blade (H51)	1

DECALS (French)

1	321- 4757	DÉCAL - "Rotating Auger" (all casters)	1
2	321- 4753	DÉCAL - drive belt (all casters)	1
11	321- 4763	DÉCAL - "Spinning Blade" (all mowers)	1
15	321- 4750	DÉCAL - "Spinning Blade" (B96)	1
16	321- 4761	DÉCAL - "Flying Debris" (B96)	1

NUMERICAL INDEX

PART NO.	PAGE NO.	REF. NO.	PART NO.	PAGE NO.	REF. NO.	PART NO.	PAGE NO.	REF. NO.
C	10482	7	C	15494	35	C	19731	33
C	10482	9	C	15495	35	C	19734	29
C	10482	13	C	15496	35	C	19821	33
C	10482	15	C	15497	35	C	19824	33
C	10482	19	C	15618	7	C	20005	13
C	10482	21	C	15671	33	C	20005	19
C	10482	25	C	15677	7	C	20005	25
C	10482	27	C	15677	13	C	20006	9
C	10482	33	C	15942	7	C	20006	15
C	10482	35	C	16077	7	C	20007	15
C	10810	17	C	16102	39	C	20008	15
C	10810	23	C	16450	9	C	20009	11
C	10821	21	C	16450	15	C	20013	13
C	10821	27	C	16450	21	C	20016	13
C	10898	9	C	16450	27	C	20017	13
C	10898	15	C	16516	17	C	21519	11
C	10898	21	C	16516	23	C	22774	29
C	10898	27	C	16714	7	C	22774	31
C	10898	33	C	16714	13	C	23535	33
C	10898	35	C	16714	19	C	23950	33
C	10942	11	C	16714	25	C	24494	37
C	14421	29	C	16719	5	C	24610	37
C	14482	19	C	16745	7	C	24640	29
C	14482	25	C	16745	7	C	24640	31
C	14583	29	C	16745	13	C	24643	29
C	14966	7	C	16745	19	C	24643	31
C	15240	29	C	16745	19	C	24685	37
C	15244	29	C	16745	25	C	24705	29
C	15248	29	C	16745	25	C	24705	31
C	15248	31	C	16940	29	C	24797	5
C	15272	5	C	16940	31	C	24797	11
C	15277	29	C	17083	5	C	24797	17
C	15278	9	C	17083	11	C	25114	37
C	15278	15	C	17083	11	C	25183	29
C	15278	21	C	17155	5	C	25186	33
C	15278	27	C	17155	11	C	25206	29
C	15278	33	C	17274	7	C	25206	31
C	15278	35	C	17274	13	C	25541	17
C	15288	33	C	17612	29	C	25541	23
C	15293	33	C	17666	17	C	25542	11
C	15296	33	C	17666	23	C	25542	17
C	15297	29	C	17761	7	C	25542	23
C	15329	33	C	17775	29	C	25544	11
C	15330	33	C	17775	31	C	25544	17
C	15331	33	C	18029	15	C	25544	23
C	15334	29	C	18775	33	C	25840	29
C	15334	31	C	18899	7	C	25840	31
C	15343	33	C	18905	5	C	25841	29
C	15351	9	C	19084	7	C	25841	31
C	15352	9	C	19088	9	C	25842	29
C	15371	29	C	19088	15	C	25842	31
C	15375	33	C	19088	21	C	25871	15
C	15385	33	C	19088	27	C	25871	21
C	15386	33	C	19259	13	C	25871	27
C	15461	35	C	19273	13	C	25872	15
C	15462	35	C	19456	9	C	25872	21
C	15463	35	C	19456	15	C	25872	27
C	15469	35	C	19457	11	C	26033	21

NUMERICAL INDEX

PART NO.	PAGE NO.	REF. NO.	PART NO.	PAGE NO.	REF. NO.	PART NO.	PAGE NO.	REF. NO.
C	26033	27	C	28971	11	129-	101	33
C	26071	17	C	28971	17	129-	102	7
C	26076	17	C	28971	23	129-	102	9
C	26078	19	C	28971	29	129-	102	13
C	26078	25	C	28971	31	129-	102	15
C	26086	19	C	28972	5	129-	102	19
C	26086	25	C	28972	11	129-	102	25
C	26087	19	C	29024	33	129-	102	29
C	26087	25	C	29038	37	129-	102	31
C	26090	19				129-	102	33
C	26090	25				129-	102	35
C	26092	21				129-	103	7
C	26092	27				129-	103	11
C	26093	21				129-	103	13
C	26093	27				129-	103	29
C	26097	17				129-	103	31
C	26736	19				129-	103	33
C	26736	25				131-	165	35
C	26736	7				131-	176	37
C	26736	13				131-	178	7
C	27023	23				131-	911	37
C	27080	35				131-	931	23
C	27083	35				131-	1100	9
C	27085	33				131-	1181	9
C	27087	31				131-	1181	13
C	27198	39				131-	1181	15
C	27201	39				131-	1181	19
C	27231	9				131-	1181	21
C	27231	15				131-	1181	25
C	27231	21				131-	1181	27
C	27231	27				131-	1181	29
C	27779	35				131-	1181	31
C	27937	39				131-	1181	33
C	27940	39				131-	1181	35
C	27972	39				131-	1181	37
C	27973	39				131-	1182	1
C	28263	29				131-	1182	3
C	28263	31				131-	1182	5
C	28276	17				131-	1182	7
C	28276	23				131-	1182	9
C	28277	33				131-	1182	11
C	28428	39				131-	1182	13
C	28429	37				131-	1182	15
C	28434	37				131-	1182	17
C	28436	37				131-	1182	19
C	28438	37				131-	1182	21
C	28439	37				131-	1182	23
C	28440	37				131-	1182	25
C	28441	37				131-	1182	27
C	28446	37				131-	1182	29
C	28448	37				131-	1182	31
C	28477	23				131-	1182	33
C	28481	23				131-	1182	35
C	28482	23				131-	1182	37
C	28483	23				131-	1182	39
C	28645	33				131-	1182	41
C	28805	33				131-	1182	43
C	28817	33				131-	1182	45
C	28971	5				131-	1182	47
						131-	1182	49
						131-	1182	51
						131-	1182	53
						131-	1182	55
						131-	1182	57
						131-	1182	59
						131-	1182	61
						131-	1182	63
						131-	1182	65
						131-	1182	67
						131-	1182	69
						131-	1182	71
						131-	1182	73
						131-	1182	75
						131-	1182	77
						131-	1182	79
						131-	1182	81
						131-	1182	83
						131-	1182	85
						131-	1182	87
						131-	1182	89
						131-	1182	91
						131-	1182	93
						131-	1182	95
						131-	1182	97
						131-	1182	99
						131-	1182	101
						131-	1182	103
						131-	1182	105
						131-	1182	107
						131-	1182	109
						131-	1182	111
						131-	1182	113
						131-	1182	115
						131-	1182	117
						131-	1182	119
						131-	1182	121
						131-	1182	123
						131-	1182	125
						131-	1182	127
						131-	1182	129
						131-	1182	131
						131-	1182	133
						131-	1182	135
						131-	1182	137
						131-	1182	139
						131-	1182	141
						131-	1182	143
						131-	1182	145
						131-	1182	147
						131-	1182	149
						131-	1182	151
						131-	1182	153
						131-	1182	155
						131-	1182	157
						131-	1182	159
						131-	1182	161
						131-	1182	163
						131-	1182	165
						131-	1182	167
						131-	1182	169
						131-	1182	171
						131-	1182	173
						131-	1182	175
						131-	1182	177
						131-	1182	179
						131-	1182	181
						131-	1182	183
						131-	1182	185
						131-	1182	187
						131-	1182	189
						131-	1182	191
						131-	1182	193
						131-	1182	195
						131-	1182	197
						131-	1182	199

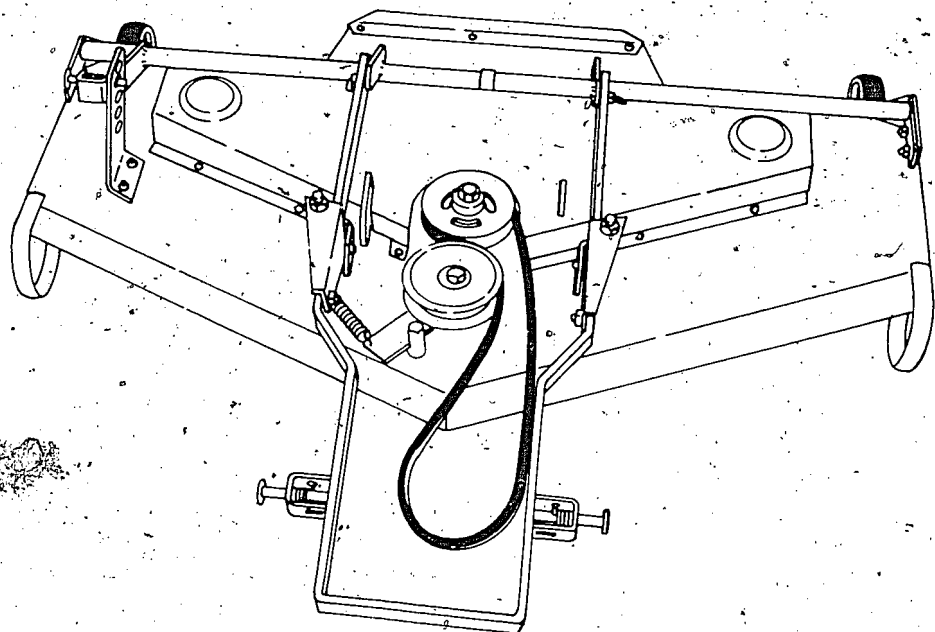
NUMERICAL INDEX

PART NO.	PAGE NO.	REF. NO.	PART NO.	PAGE NO.	REF. NO.	PART NO.	PAGE NO.	REF. NO.
138-	2073	15	4	195-	545	29	4	
138-	2073	21	5	195-	549	33	2	
138-	2073	27	5	195-	2037	5	9	
138-	2073	33	6	195-	2037	11	9	
138-	2073	33	13	195-	2037	17	14	
141-	4	15	26	195-	2037	23	14	
141-	4	21	14	321-	4199	39	1	
141-	4	27	14	321-	4381	39	11	
141-	56	33	19	321-	4446	37	16	
151-	88	37	9	321-	4447	39	15	
178-	858	33	35	321-	4686	39	13	
192-	6	5	10	321-	4750	39	15	
192-	19	33	25	321-	4753	39	2	
192-	20	7	17	321-	4757	39	1	
192-	20	9	16	321-	4761	39	16	
192-	20	13	17	321-	4763	39	11	
192-	20	15	16	321-	6379	39	4	
192-	20	19	9	321-	6380	39	9	
192-	20	25	9	321-	6433	39	10	
192-	20	29	21					
192-	20	31	21					
192-	20	33	25					
192-	20	35	4					
192-	21	7	9					
192-	21	11	10					
192-	21	11	14					
192-	21	13	9					
192-	21	17	9					
192-	21	17	15					
192-	21	23	9					
192-	21	23	15					
192-	21	29	7					
192-	21	31	7					
192-	21	33	8					
195-	103	7	8					
195-	103	19	17					
195-	103	25	17					
195-	106	9	11					
195-	106	15	11					
195-	521	37	13					
195-	521	37	19					
195-	522	29	39					
195-	522	31	3					
195-	525	7	26					
195-	525	9	10					
195-	525	13	20					
195-	525	15	10					
195-	525	21	16					
195-	525	27	16					
195-	525	29	25					
195-	525	31	25					
195-	529	9	8					
195-	533	7	4					
195-	533	19	4					
195-	533	21	12					
195-	533	25	4					
195-	533	27	12					
195-	529	15	8					
195-	533	13	4					

INGERSOLL
Ingersoll Equipment Co., Inc.

L47 ROTARY MOWER
FOR COMPACT TRACTORS
Parts Catalog 8-2710

2-84-RP-1500



ALPHABETICAL INDEX

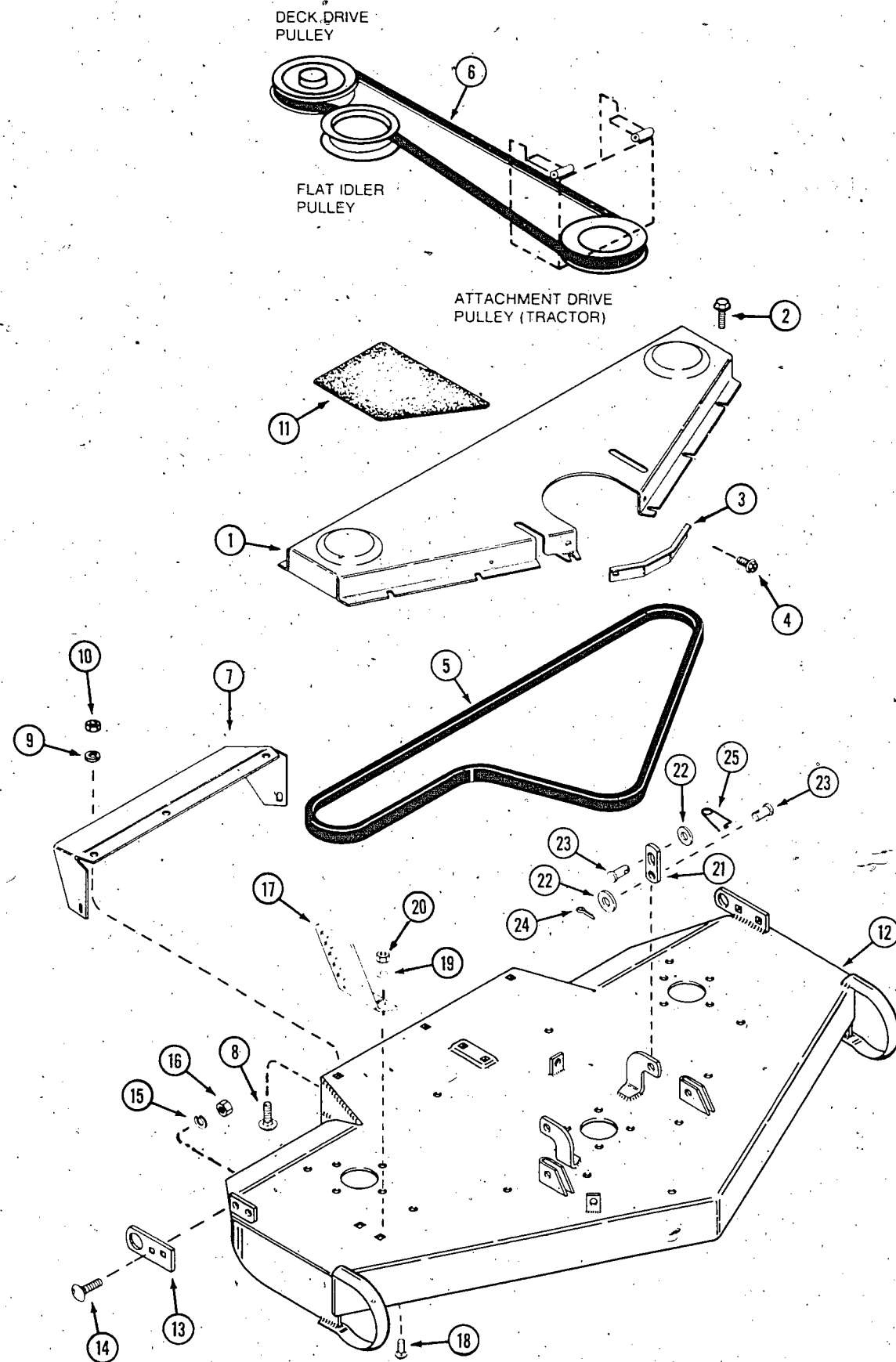
	PAGE	GRID
Axle	9	F8
Bearings, Spindles	7	F6
Belts	5	F4
Blades	7	F6
Decals	9	F8
Deck	5	F4
Frame, Mounting	9	F8
Guards and Covers	5	F4
Housing, Spindles	7	F6
Lift Links	5	F4
Pulleys	7	F6
Spindles	7	F6
Wheels	9	F8

NOTE: See grid A2 for -
G41, H41 Rotary Mowers,
G51 Snow Blade,
G81 Snow Caster

NOTE: See grid C2 for -
J41, K41, L41, M41, N41, P41 Rotary
Mowers,
J81, K81, L81, M81, N81, P81,
R81 Snow Casters
G51, H51, J51 Blade
B96 Bagger

ATTACHMENT APPLICATION CHART

MOWER	TRACTOR
L47	110 - PIN 14032840 and after 116 - All

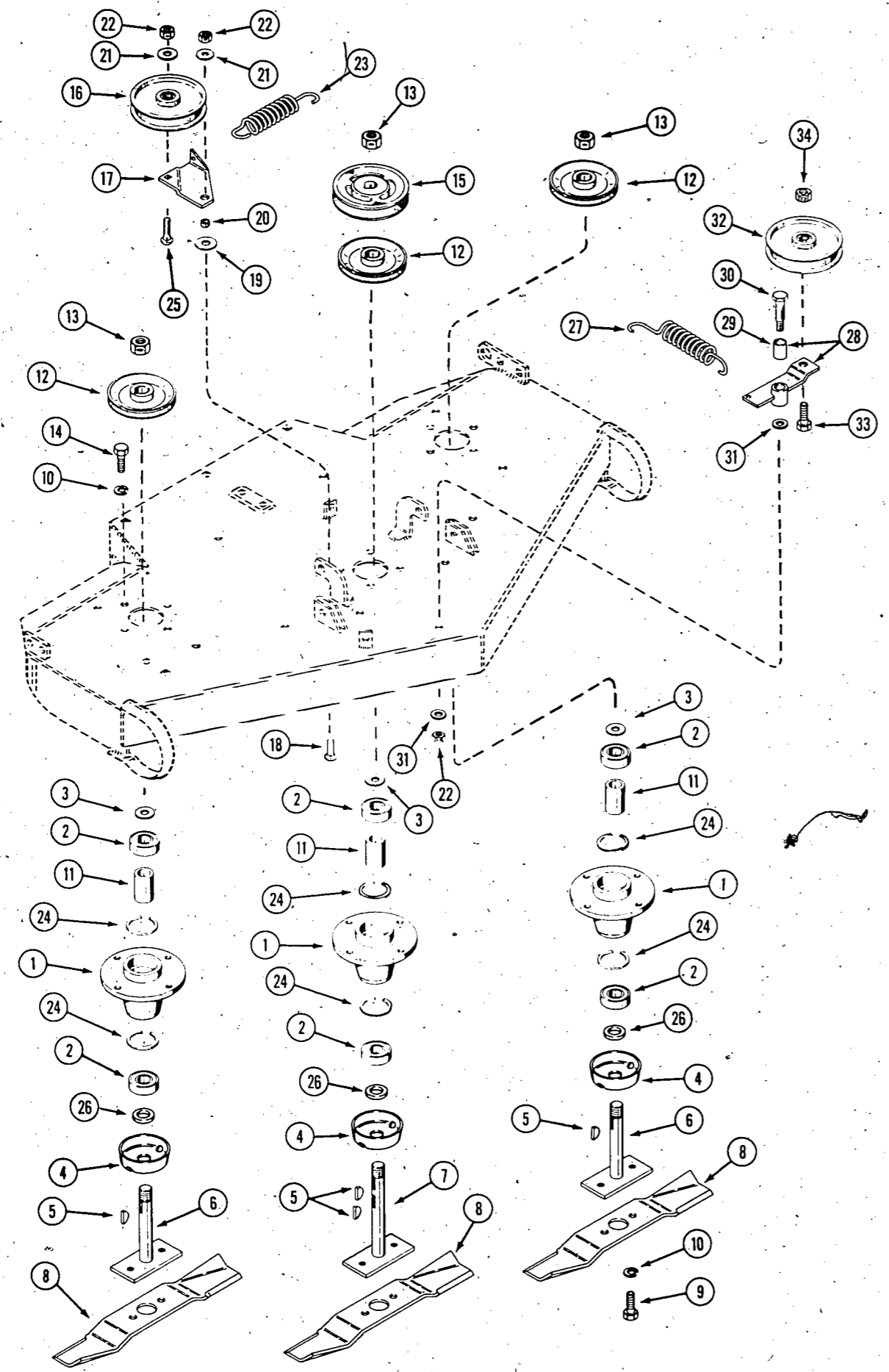


MODEL L47 ROTARY MOWER

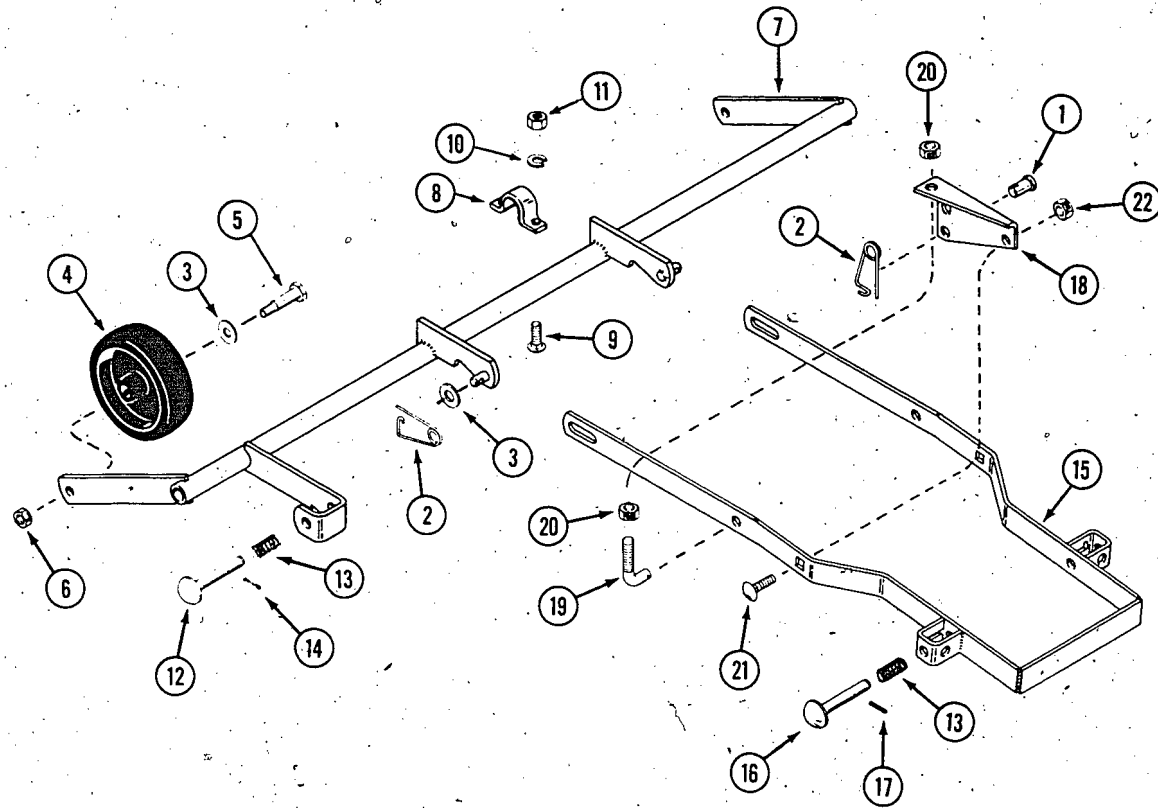
DECK, BELTS AND COVERS

REF.	PART NO.	DESCRIPTION	REQ'D
1	C 27091	COVER - deck belt	1
2	187- 1036	SCREW - 1/4" - 20 x 1/2" self tapping	10
3	C 27092	GUARD - deck belt	1
4	187- 1328	SCREW - No. 8 - 18 x 3/8" self tapping	2
5	C 22707	BELT - deck	1
6	C 27120	BELT - drive	1
7	C 27093	DEFLECTOR	1
8	111- 101	BOLT - 1/4" - 20 x 5/8" carriage	5
9	192- 19	LOCK WASHER - 1/4"	5
10	129- 101	NUT - 1/4"	5
11	C 27094	PAD - footrest R.H. (shown)	1
11	C 27095	PAD - footrest L.H.	1
12	C 27098	DECK - mower	1
13	C 15560	BRACKET - axle pivot	1
14	111- 371	BOLT - 3/8" - 16 x 1" carriage	2
15	192- 21	LOCK WASHER - 3/8"	2
16	129- 103	NUT - 3/8"	2
17	C 25408	BRACKET - height adjust	1
18	111- 132	BOLT - 5/16" - 18 x 3/4" carriage	2
19	193- 29	LOCK WASHER - 5/16"	2
20	129- 102	NUT - 5/16"	2
21	C 27096	LINK - lift	2
22	195- 533	WASHER - 1/2"	4
23	C 10821	PIN - clevis	4
24	132- 310	PIN - cotter 1/8" x 1"	2
25	C 10898	PIN - safety	2

PULLEYS, BLADES AND SPINDLES



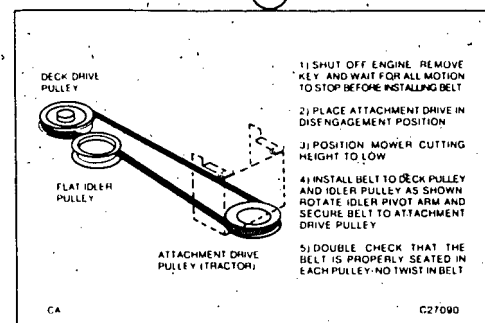
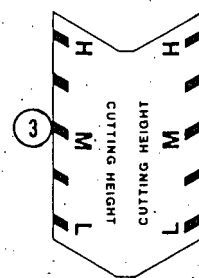
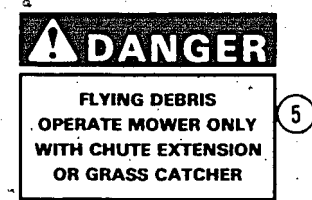
REF.	PART NO.	DESCRIPTION	REQ'D
1	C 17666	HOUSING - mower spindle (also requires (2) C16516 retainers)	3
2	A 70280	BEARING - spindle	6
3	A 70282	WASHER - bearing seal	3
4	C 25543	SHIELD - bearing	3
5	126- 19	KEY - spindle, #11 Woodruff	4
6	C 15763	SPINDLE - outboard	2
7	C 15604	SPINDLE - center	1
8	C 27113	BLADE - 15-1/2"	3
9	113- 205	BOLT - 3/8" x 5/8" NC hex (grade 5)	6
10	192- 21	LOCK WASHER - 3/8"	18
11	C 10810	SPACER - bearing	3
12	C 21581	PULLEY - spindle	3
13	131- 1331	NUT - jam lock 3/4" NF hex	3
14	113- 206	BOLT - 3/8" x 3/4" NC hex	12
15	C 15615	PULLEY - drive	1
16	C 12251	PULLEY - deck idler	1
17	C 27108	BRACKET - idler	1
18	111- 371	BOLT - 3/8" x 1" carriage, short neck	1
19	195- 105	WASHER - 1/2" ZP	1
20	C 14768	SPACER - idler bracket	1
21	195- 525	WASHER - 3/8" ZP	2
22	131- 1181	NUT - lock 3/8" NC hex	3
23	C 14482	SPRING - idler, deck belt	1
24	C 16516	RING - retainer	6
25	111- 366	BOLT - 3/8" x 1-1/4" carriage, short neck	1
26	C 25541	SPACER - spindle	3
27	C 24321	SPRING - idler, drive belt	1
28	C 27109	IDLER ARM ASSEMBLY	1
29	C 16714	BUSHING - sleeve	1
30	C 16745	BOLT - shoulder	1
31	195- 103	WASHER - 3/8"	2
32	C 26090	PULLEY - idler, drive belt	1
33	113- 410	BOLT - 1/2" - 13 x 1-1/2"	1
34	131- 1308	NUT - 1/2" - 13 lock	1



REF.	PART NO.	DESCRIPTION	REQ'D
1	C 10821	PIN - clevis	2
2	C 10898	PIN - safety	4
3	195- 533	WASHER - 1/2"	4
4	C 26736	WHEEL - gauge	2
5	C 16745	BOLT - shoulder	2
6	131- 1181	NUT - 3/8" - 16 lock	2
7	C 27106	AXLE - rear	1
8	C 14932	BRACKET - axle mounting	1
9	111- 101	BOLT - 1/4" 20 x 3/4" carriage	2
10	192- 19	LOCK WASHER - 1/4"	2
11	129- 101	NUT - 1/4" - 20	2
12	C 20005	PIN - retaining	1
13	C 10482	SPRING	2
14	138- 96	PIN - roll 3/16" x 1"	1
15	C 27115	FRAME - mounting	1
16	C 15278	PIN - retaining	2
17	138- 99	PIN - roll 3/16" x 1-3/8"	2
18	C 27118	BRACKET - suspension adjust R.H. (shown)	1
18	C 27119	BRACKET - suspension adjust L.H.	1
19	C 19088	BOLT - "J", suspension adjust	2
20	131- 1182	NUT - 1/2" - 13 lock	4
21	111- 517	BOLT - 1/2" - 13 x 1" carriage	2
22	131 1308	NUT - 1/2" - 13 lock	2

DECALS

1	C 26090	DECAL - drive belt (ENGLISH) shown	1
2	C 12519	DECAL - "No Step" (ENGLISH) shown	1
2	321- 4726	DECAL - "No Step" (FRENCH)	1
3	321- 6210	DECAL - cutting height (ENGLISH) shown	1
3	321- 4698	DECAL - cutting height (FRENCH)	1
4	321- 4381	DECAL - "Spinning Blade" (ENGLISH) shown	1
4	321- 4763	DECAL - "Spinning Blade" (FRENCH)	1
5	321- 4974	DECAL - "Flying Debris" (ENGLISH) shown	1
5	321- 6642	DECAL - "Flying Debris" (FRENCH)	1



NUMERICAL INDEX

PART NO.	PAGE NO.	REF. NO.	PART NO.	PAGE NO.	REF. NO.	PART NO.	PAGE NO.	REF. NO.
A	70280	7	2	111-	371	7	18	
A	70282	7	3	111-	517	9	21	
C	10482	9	13	113-	205	7	9	
C	10810	7	11	113-	206	7	14	
C	10821	5	23	113-	410	7	33	
C	10821	9	1	126-	19	7	5	
C	10898	5	25	129-	101	5	10	
C	10898	9	2	129-	101	9	11	
C	12251	7	16	129-	102	5	20	
C	12519	9	2	129-	103	5	16	
C	14482	7	23	131-	1181	7	22	
C	14768	7	20	131-	1181	9	6	
C	14932	9	8	131-	1182	9	20	
C	15278	9	16	131-	1308	7	34	
C	15560	5	13	131-	1308	9	22	
C	15604	7	7	131-	1331	7	13	
C	15615	7	15	132-	310	5	24	
C	15763	7	6	138-	96	9	14	
C	16516	7	24	138-	99	9	17	
C	16714	7	29	187-	1036	5	2	
C	16745	7	30	187-	1328	5	4	
C	16745	9	5	192-	19	5	9	
C	17666	7	1	192-	19	9	10	
C	19088	9	19	192-	21	5	15	
C	20005	9	12	192-	21	7	10	
C	21581	7	12	193-	29	5	19	
C	22707	5	5	195-	103	7	31	
C	24321	7	27	195-	105	7	19	
C	25408	5	17	195-	525	7	21	
C	25541	7	26	195-	533	5	22	
C	25543	7	4	195-	533	9	3	
C	26090	7	32	321-	4381	9	4	
C	26090	9	1	321-	4698	9	3	
C	26736	9	4	321-	4726	9	2	
C	27091	5	1	321-	4763	9	4	
C	27092	5	3	321-	4974	9	5	
C	27093	5	7	321-	6210	9	3	
C	27094	5	11	321-	6642	9	5	
C	27095	5	11					
C	27096	5	21					
C	27098	5	12					
C	27106	9	7					
C	27108	7	17					
C	27109	7	28					
C	27113	7	8					
C	27115	9	15					
C	27118	9	18					
C	27119	9	18					
C	27120	5	6					

HARDWARE CODE NUMBERS

111-	101	5	8
111-	101	9	9
111-	132	5	18
111-	366	7	25
111-	371	5	14

INGERSOLL

Ingersoll Equipment Co., Inc.