



**COMPACT TRACTORS
WITH DIESEL ENGINES
3118D AND 4118D**

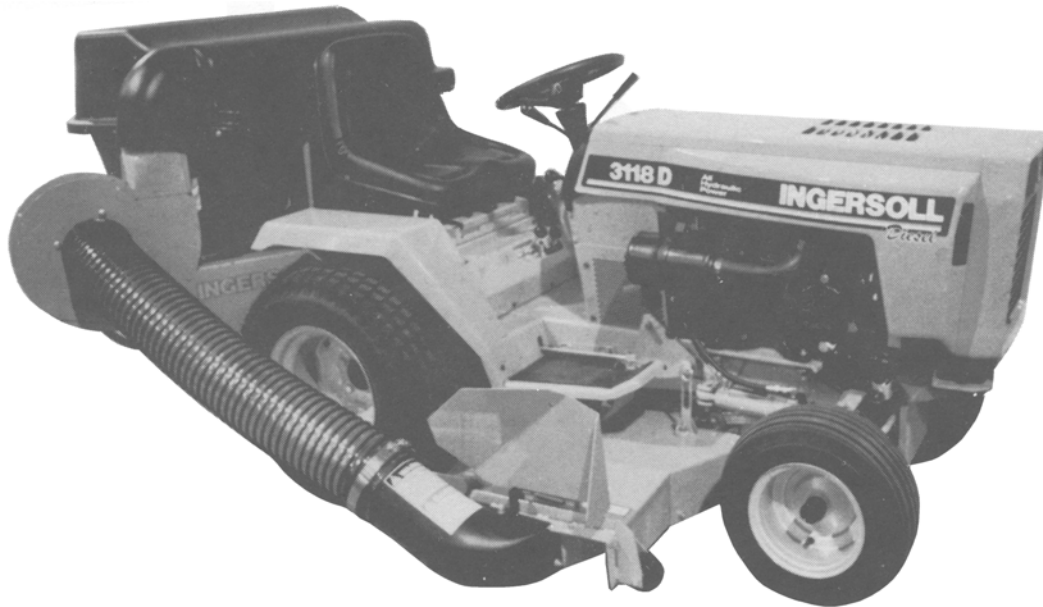
PARTS CATALOG 8-3310

[INDEX](#)

[PAINT](#)

[ENGINES](#)

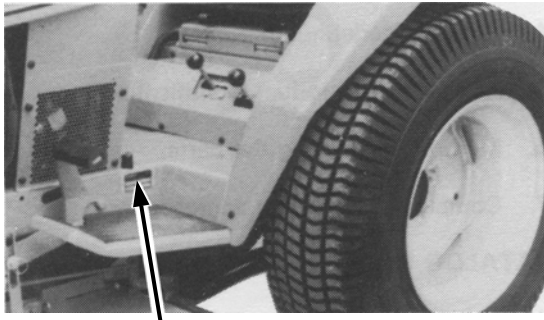
[GENERAL INFO](#)



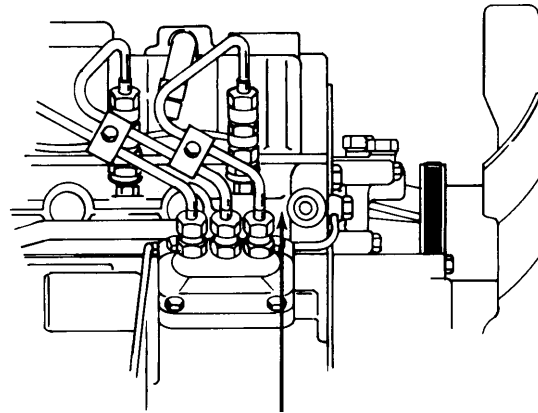
INDEX

MODEL 3118D and 4118D COMPACT TRACTORS

**PRODUCT IDENTIFICATION NUMBERS (PIN)
OR SERIAL NUMBERS (S/N)**



**TRACTOR MODEL AND P.I.N. OR
SERIAL NUMBERS**



**ENGINE MODEL, SERIAL, AND
SPECIFICATION NUMBERS ARE
LOCATED BY FUEL INJECTION PUMP**

NOTE: In this catalog are references to serial numbers, To order the correct part, use these serial numbers as a guide.

ENGINE IDENTIFICATION

TRACTOR MODEL

3118D, 4118D

ENGINE MODEL

INGERSOLL NO. C42982
PERKINS NO.
TYPE - 103.07
MODEL - KL70264

INDEX

There is an index at the front and rear of this catalog. The front index is an alphabetical index of the major groups or assemblies.

The rear index is a numerical index of the part numbers and pages on which these numbers are shown.

ILLUSTRATION

Each illustration in this catalog shows a group of parts or components. These parts and components are aligned approximately as the parts and components on your machine. Each part and component in an illustration has a reference number. These reference numbers are in a list on the page opposite of the illustration. Next to the reference number is the part number, description and required quantity of the part shown in the illustration.

UAR - "Use as required" indicates that the part quantity is variable.

NSS - "Not sold separately" indicates that the part is only available as component of an assembly or the part must be purchased locally. If the part is an assembly component, the description will be indented under the assembly description in the parts list.

O/L - "Obtain locally"

- "Footnotes" are added to a part number when more information is needed for identification. They only relate to the part numbers indicated. All orders must include the following information:

PARTS ORDERS

1. Correct part number.
2. Complete description of part or component.
3. Total quantity of each part or component.
4. Product model number.
5. All necessary product identification numbers.
6. Method for sending the parts.
7. Complete and correct address.

CATALOG REVISIONS

As the product changes, new pages will be available for your catalog. A notice will be issued.

IMPORTANT: Put all revisions into the catalog as soon as possible.

RIGHT HAND AND LEFT HAND IDENTIFICATION

The words right hand (RH) and left hand (LH) as used in this catalog indicate the direction while you are in the operator's seat in the normal operating position.

INDENTED DESCRIPTIONS

An assembly can have many components. The components of an assembly are indicated by an indented description. The quantity for an indented part is the total needed for that complete assembly. See the example.

REF.	PART NO.	DESCRIPTION	REQ'D
	C 55159	CYLINDER ASSY - rear steering	1
28	C 56208	SOCKET ASSY - rear cylinder	1
29	C 55956	PLUG - adjusting, socket assy	1
30	C 55957	SEAT- socket, ball.....	2
31	C 56210	SPRING-socket	1
32	C 56209	SEAT - socket spring	1
33	G 45175	CLAMP ASSY - socket assy	1
	16- 836	BOLT-1/2"x2-1/4" N.F. hex.....	1
34	132- 104	PIN-cotter, 3/16"x3".....	1
35	C 55889	STUD - ball, socket & cylinder	2
36	13- 410	BOLT-1/4"x5/8"N.C.,hex	4
37	92- 4	LOCK WASHER - 1/4"SAE	4



Ingersoll

Paint & Oil

INDEX

PAINT

Power Red Gloss

16-ounce Aerosol Can..... C28484
Quart C28485

Power White

16-ounce Aerosol Can..... C28812
Quart C28845

Power Yellow (Older 600 Series)

16-ounce Aerosol Can..... C28847
Quart C28848

Power Tan (6000 Series)

16-ounce Aerosol Can..... C28853
Quart C28854

Desert Sunset (Older 400 Series)

16-ounce Aerosol Can..... C28846
Quart C28852

Black, Semi Gloss

16-ounce Aerosol Can..... C28849
Quart C28850

Black, High Heat

16-ounce Aerosol Can..... C28851

Silver

16-ounce Aerosol Can..... C30870

M & W Plum

16-ounce Aerosol Can..... 10-5688

Grazer Grey

16-ounce Aerosol Can..... C38444
Quart C38982

Odyssey Charcoal Grey

16-ounce Aerosol Can..... C47171

HYDRAULIC OIL

20W40, Use 32 Degrees and above.
12-Quart Case..... C32778

5W20, Use Below 32 Degrees.
12-Quart Case..... C32777

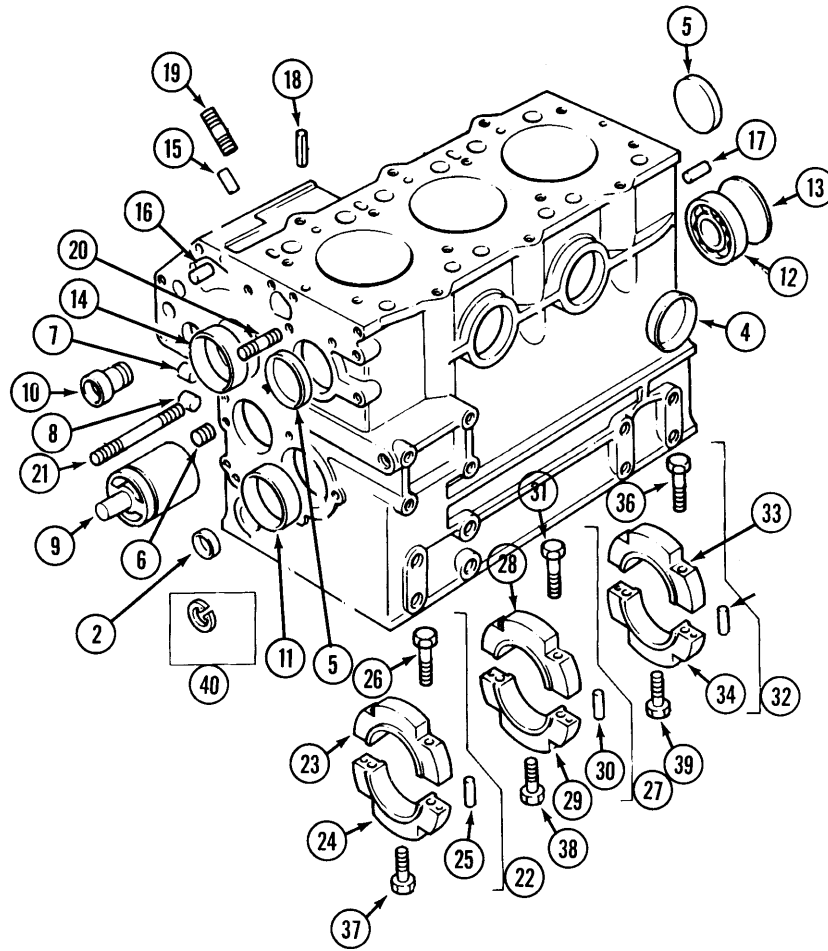
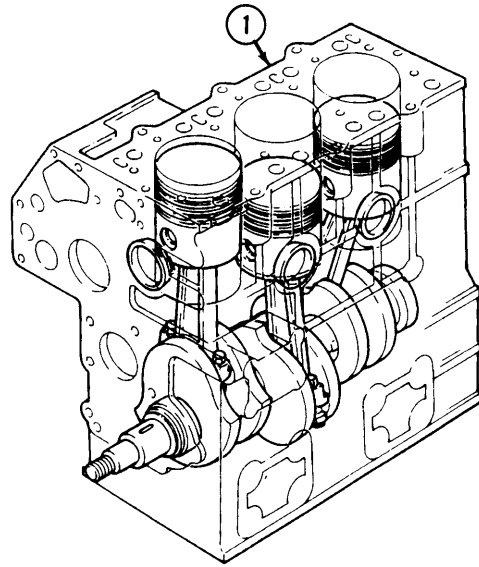
**ALPHABETICAL INDEX
ENGINE SECTION**

Alternator.....	35	Lubrication Components	15
Atomizer, Fuel	23	Mounts, Engine	31
Block, Cylinder	5	Muffler, Exhaust	25
Camshaft.....	11	Piston	7
Cleaner, Air	31	Plugs, glow.....	17
Control, Throttle.....	13	Pump, Engine Oil	13
Crankshaft.....	7	Pump, Fuel	19
Dipstick.....	15	Pump, Fuel Injection	23
Exhaust System	25	Pump, Water	29
Fan	29	Radiator.....	27
Filter, Oil.....	15	Rod, Connecting.....	7
Flywheel	7	Shaft, Rocker.....	9
Fuel System, Engine.....	19	Solenoid, Fuel Shut Off	11
Fuel System, Tractor.....	25	Starter.....	33
Gear, Timing.....	11	Sump, Oil.....	15
Head, Cylinder.....	9	Tachometer	17
Kit, Gasket.....	37	Thermostat	29
Linkage, Throttle.....	11	Valves.....	9

TRACTOR SECTION

Axle, Front	45	Hydraulic System	51-64
Axle, Rear	49	Lift, Hydraulic.....	65
Brake Assembly.....	47	Motor, Hydraulic	55
Control, Speed.....	63	Mounting Components, Pump.....	59
Cooler, oil.....	51	Pads, Foot.....	39
Decals	71	Power Steering.....	53
Drawbar	63	PTO, Hydraulic.....	57
Electrical System	67	Pump, Hydraulic.....	59
Fenders.....	43	Pump, Steering.....	53
Filter, Hydraulic Oil	51	Reservoir	51
Frame	39	Seat	43
Grille	41	Support, Seat	43
Hardware, Electrical System	69	Transmission	49
Headlight.....	69	Valve, Hydraulic	61
Hitch, Tow.....	63	Wheels, Front	47
Hood	41	Wheels, Rear.....	47

INDEX



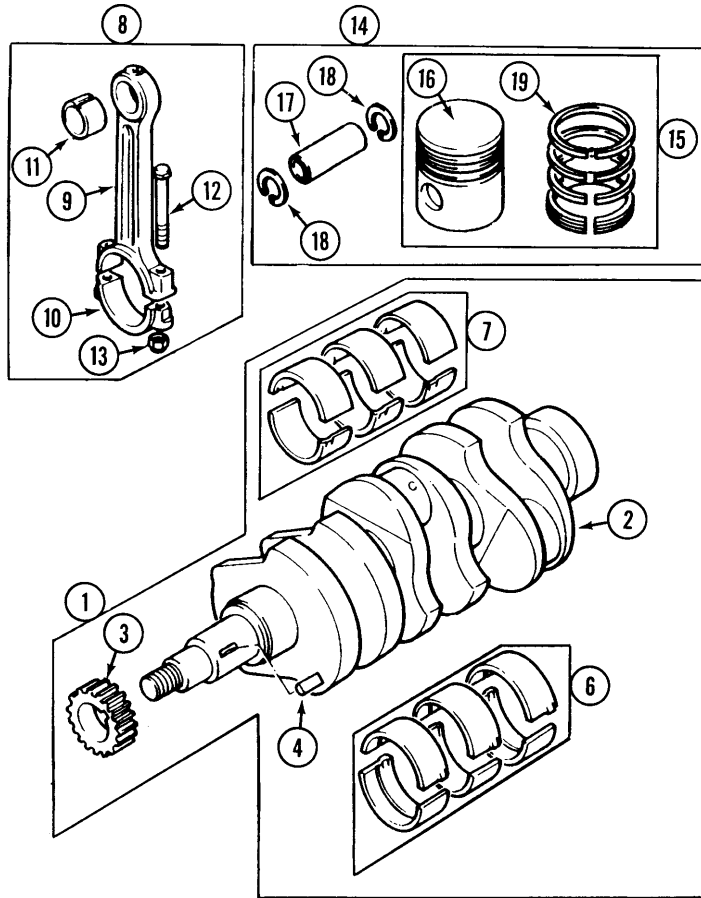
MODEL 3118D AND 4118D COMPACT TRACTORS

CYLINDER BLOCK

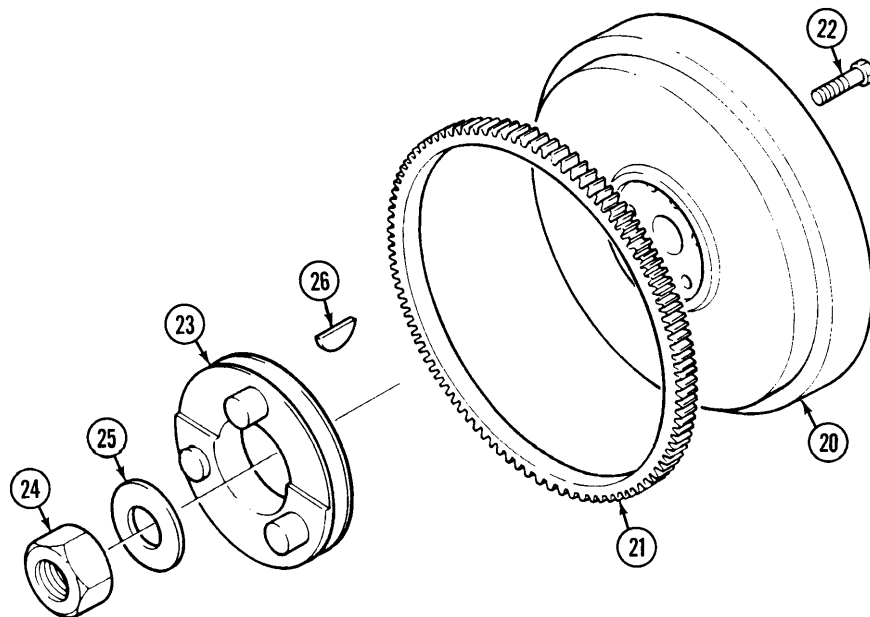
NOTE: FOR COMPLETE ENGINE ORDER C44548

REF.	PART NO.	DESCRIPTION	REQ'D
1	P110006670	BLOCK - cylinder, short	1
2	P064200015	PLUG.....	1
4	P064200040	PLUG.....	2
5	P064200040	PLUG.....	2
6	P198466050	PLUG.....	3
7	P198466010	PLUG.....	4
8	P198466070	PLUG.....	2
9	P165296160	SHAFT.....	1
10	P198517090	BUSHING	1
11	P198517300	BUSHING - standard.....	1
11	P198517304	BUSHING -0.25mm undersize.....	UAR
11	P198517307	BUSHING -0.50mm undersize.....	UAR
12	P040106203	BEARING - ball	1
13	P064100045	PLUG.....	1
14	P042303015	BUSHING	1
15	P030500512	DOWEL	2
16	P030500616	DOWEL	2
17	P030500820	DOWEL	2
18	P030309005	PIN	2
19	P012100620	STUD.....	2
20	P012100635	STUD.....	1
21	P012100660	STUD.....	1
22	P110156220	HOLDER	1
23	NSS	CAP	1
24	NSS	CAP	1
25	P030500612	DOWEL	2
26	P010810840	SCREW.....	2
27	P110156230	HOLDER	1
28	NSS	CAP	1
29	NSS	CAP	1
30	P030500612	DOWEL	2
31	P010810840	SCREW.....	2
32	P110156240	HOLDER	1
33	NSS	CAP	1
34	NSS	CAP	1
35	P030500612	DOWEL	2
36	P010810840	SCREW.....	2
37	P011310850	SCREW.....	1
38	P011310850	SCREW.....	1
39	P010700845	SCREW.....	2
40	P036509005	CIRCLIP	1
41	P064200018	PLUG	2

INDEX



INDEX

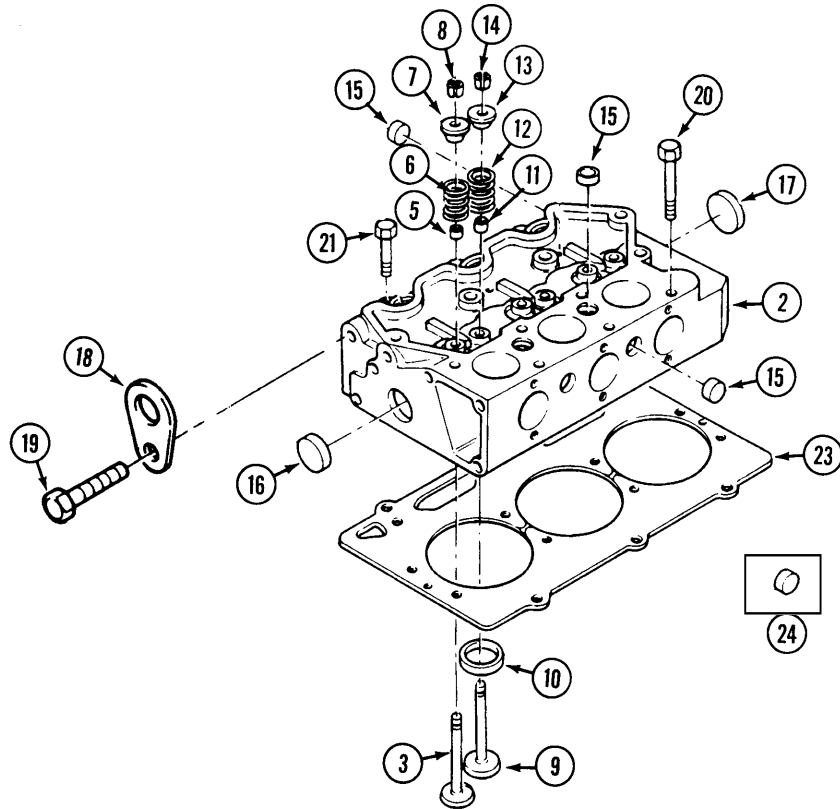


MODEL 3118D AND 4118D COMPACT TRACTORS

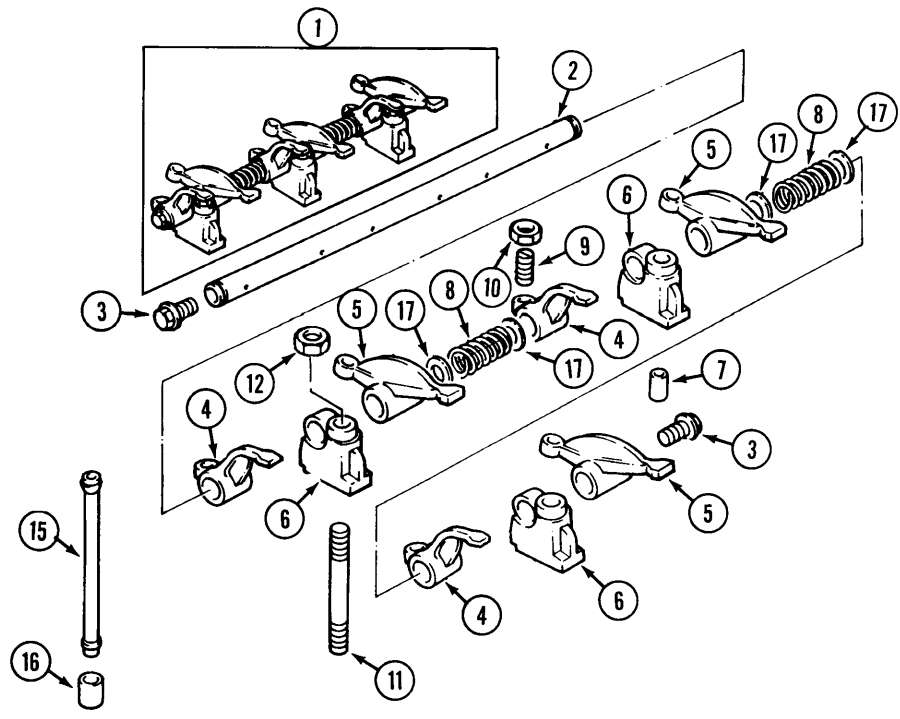
FLYWHEEL, CRANKSHAFT, PISTONS AND RINGS

REF.	PART NO.	DESCRIPTION	REQ'D
1	P115236020	KIT - crankshaft.....	1
2	NSS	CRANKSHAFT	1
3	P115276210	GEAR.....	1
4	P030509020	KEY.....	1
6	P198586030	KIT - bearing (standard).....	1
6	P198586034	KIT - bearing (0.25mm undersize).....	UAR
6	P198586037	KIT - bearing (0.50mm undersize).....	UAR
7	P198586060	KIT - bearing (standard).....	1
7	P198586064	KIT - bearing (0.25mm undersize).....	UAR
7	P198586067	KIT - bearing (0.50mm undersize).....	UAR
8	P115026240	ROD - connecting.....	3
9	NSS	ROD.....	1
10	NSS	CAP.....	1
11	P198517325	BUSHING	1
12	P115176130	SCREW	2
13	P020109103	NUT.....	2
14	P115017090	KIT - piston (standard)	3
14	P115017100	KIT - piston (0.50mm oversize).....	UAR
15	NSS	PISTON ASSEMBLY	1
16	NSS	PISTON.....	1
17	P115326260	PIN.....	1
18	P036500019	CIRCLIP.....	2
19	P115107400	KIT - rings (standard).....	1
19	P115107410	KIT - rings (0.50mm oversize)	1
20	P115357260	FLYWHEEL.....	1
21	P115376150	RING	1
22	P010109330	SCREW.....	4
23	P115396741	PULLEY.....	1
24	P020800018	NUT.....	1
25	P026200018	WASHER.....	1
26	P034100508	KEY	1

INDEX



INDEX



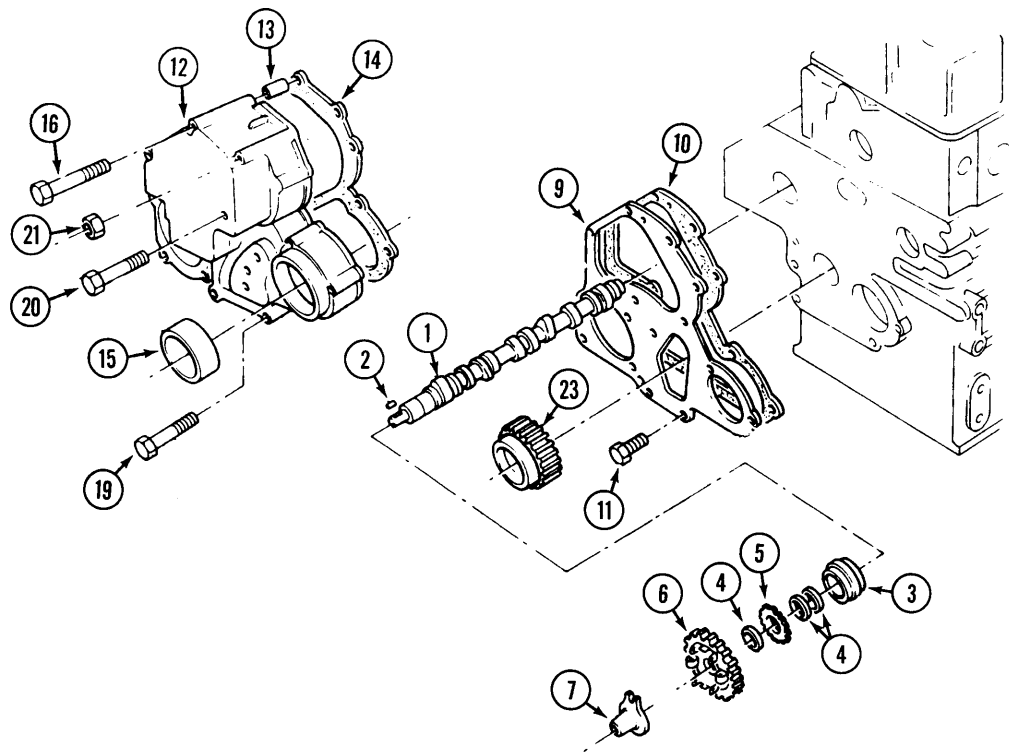
INDEX**MODEL 3118D AND 4118D COMPACT TRACTORS****CYLINDER HEAD**

REF.	PART NO.	DESCRIPTION	REQ'D
	P111016911	KIT - cylinder head	1
2	P111086030	HEAD - cylinder (includes ref. 15, 16, 17 and 24)	1
3	P120166280	VALVE - inlet.....	3
5	P120406080	SEAL	3
6	P198217070	SPRING	3
7	P120186100	CAP	3
8	P120226080	RETAINERS.....	6
9	P120176290	VALVE - exhaust.....	3
10	P110136290	INSERT	3
11	P120406080	SEAL	3
12	P198217070	SPRING	3
13	P120186100	CAP.....	3
14	P120226080	RETAINERS.....	6
15	P198466070	PLUG	4
16	P064200022	PLUG	3
17	P064200022	PLUG	3
18	P195816200	PLATE - lifting	2
19	P011310816	SCREW.....	2
20	P111136340	SCREW	11
21	P111136350	SCREW	3
23	C 43611	GASKET.....	1
23	P111147390	GASKET - (0.5mm oversize).....	UAR
24	P064200018	PLUG - included in cylinder head kit.....	2

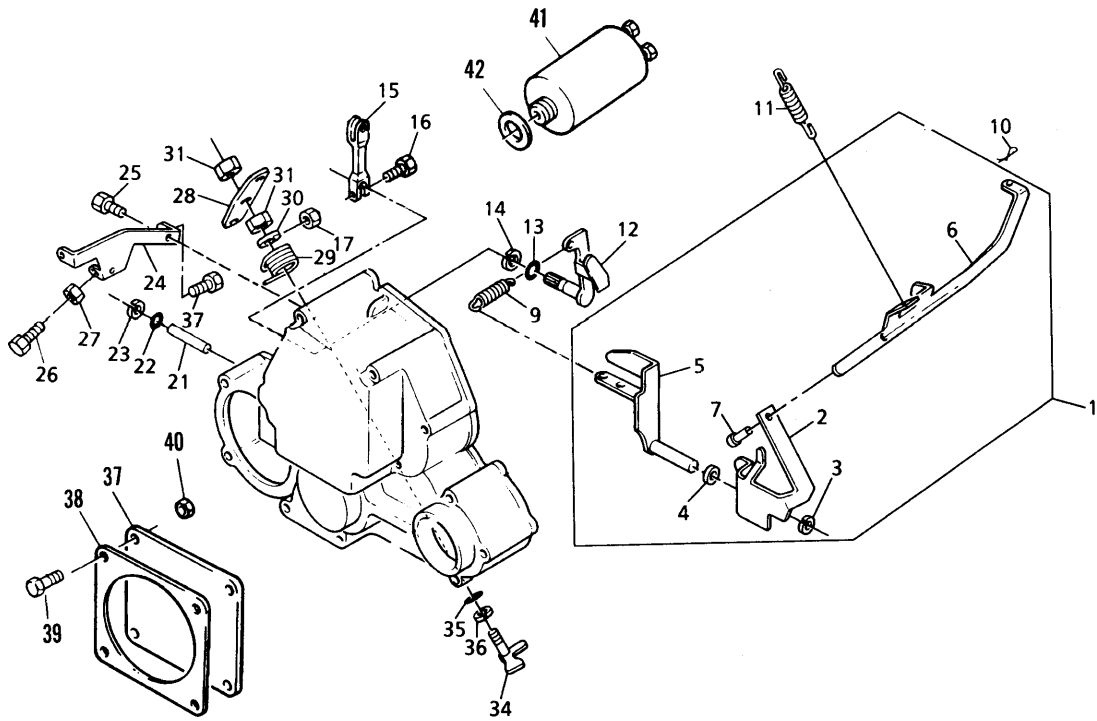
INDEX**ROCKER SHAFT**

1	P120036330	SHAFT ASSEMBLY - rocker.....	1
2	P120316190	SHAFT	1
3	P064609006	PLUG	2
4	P120356120	LEVER-L.H.....	3
5	P120356110	LEVER-R.H.....	3
6	P120346170	BRACKET	3
7	P030300325	PIN	1
8	P198217080	SPRING	2
9	P199486220	SCREW - adjusting	6
10	P020109076	NUT	6
11	P012109177	STUD.....	3
12	P023100008	NUT	3
15	P120456240	ROD	6
16	P120116100	TAPPET	6
17	P199280280	WASHER - included with shaft assembly	4

INDEX



INDEX



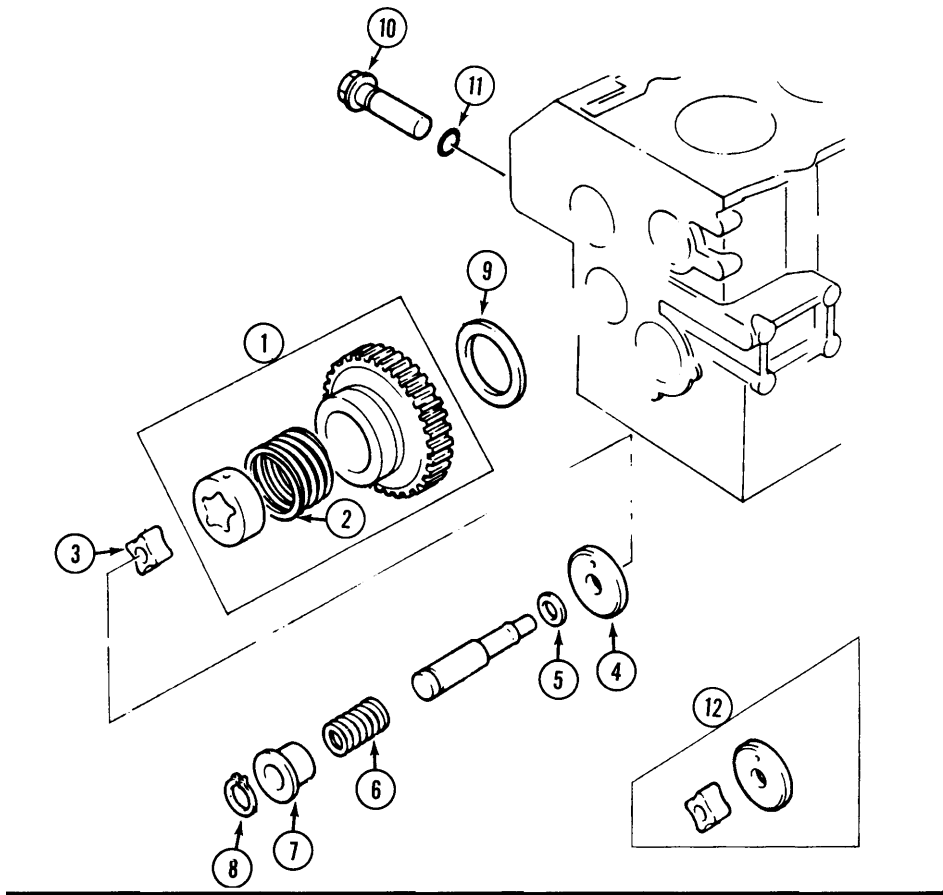
INDEX**MODEL 3118D AND 4118D COMPACT TRACTORS****TIMING GEAR AND CAMSHAFT**

REF.	PART NO.	DESCRIPTION	REQ'D
1	P120026120	CAMSHAFT	1
2	P034100508	KEY	1
3	P040109059	BEARING	1
4	P199216230	SPACER	3
5	P120736081	GEAR	1
6	P120016030	GEAR	1
7	P125256120	TAPPET	1
9	P165166260	PLATE	1
10	C43612	GASKET	1
11	P011300612	BOLT	3
12	P165106131	CASE	1
13	P030300414	PIN	12
14	C43613	GASKET	1
15	P198636090	SEAL	1
16	P011300680	SCREW	2
19	P011300640	SCREW	4
20	P011300660	SCREW	2
21	P023100006	NUT	1
23	NSS	GEAR - see oil pump page 13	1

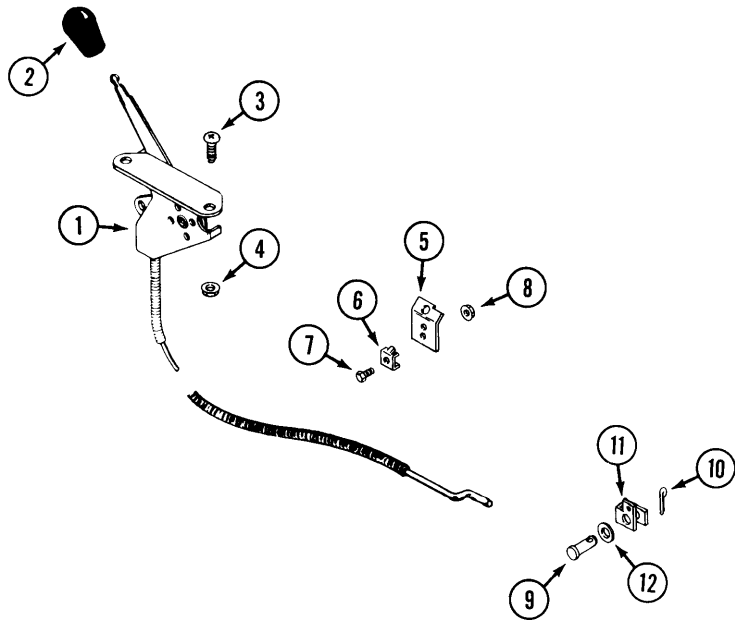
INDEX**CAMSHAFT CASE AND THROTTLE LINKAGE**

1	P125046140	LEVER ASSEMBLY	1
2	NSS	LEVER	1
3	P036800008	CIRCLIP	1
4	P026200010	WASHER	1
5	P125406071	LEVER	1
6	NSS	LINK	1
7	NSS	PIN	1
9	P198217110	SPRING	1
10	P031100004	PIN	1
11	P198216731	SPRING	1
12	P125156170	ARM	1
13	P052100070	"O" RING	1
14	P036800008	CIRCLIP	1
15	P125416020	LEVER	1
16	P010110630	SCREW	1
17	P023100006	NUT	1
21	P125116130	SHAFT	1
22	P052100030	"O" RING	1
23	P036800005	CIRCLIP	1
24	P125976120	STAY	1
25	P011300616	SCREW	2
26	P010109264	SCREW	2
27	P023100006	NUT	2
28	P125176080	LEVER	1
29	P198216760	SPRING	1
30	P026200008	WASHER	1
31	P020300008	NUT	2
34	P125156180	ARM	1
35	P052100050	"O" RING	1
36	P036800006	CIPCLIP	1
37	P165206360	PLATE	1
38	P165996420	GASKET	1
39	P010110850	SCREW	4
40	P023100008	NUT	4
41	P185206082	SOLENOID - fuel shut off	1
42	P025100016	WASHER	1

INDEX



INDEX



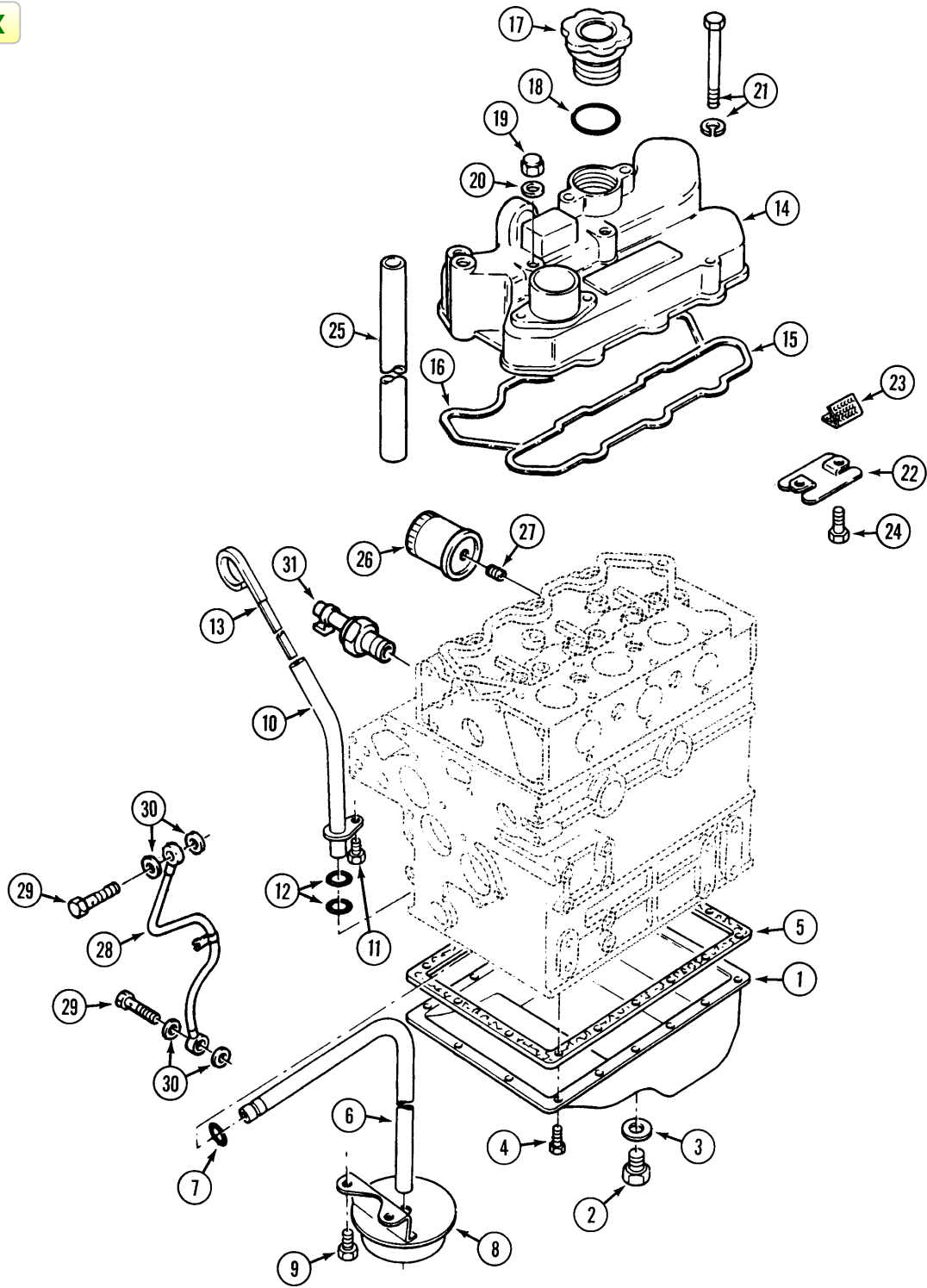
INDEX**MODEL 3118D AND 4118D COMPACT TRACTORS****OIL PUMP**

REF.	PART NO.	DESCRIPTION	REQ'D
1	P165026110	GEAR ASSEMBLY	1
2	P198216821	SPRING	1
3	P140166130	ROTOR	1
4	P140116140	COVER.....	1
5	P199286150	SHIM - 0.10mm	UAR
5	P199286160	SHIM - 0.15mm	UAR
5	P199286170	SHIM - 0.20mm	UAR
5	P199286180	SHIM - 0.50mm	UAR
6	P198216720	SPRING.....	1
7	P199236540	COLLAR.....	1
8	P036800010	CIRCLIP	1
9	P199266180	WASHER.....	1
10	P140036120	VALVE.....	1
11	P052100150	“O” RING	1
12	P140186010	KIT - repair	1

INDEX**THROTTLE CONTROL**

REF.	PART NO.	DESCRIPTION	REQ'D
1	C43056	THROTTLE	1
2	C35291	KNOB - throttle.....	1
3	182-559	SCREW - #10 - 24 x 3/4"	2
4	C34117	NUT - #10 - 24 flange lock	2
5	C43057	BRACKET - throttle	1
6	C34273	CLAMP - casing	1
7	182-559	SCREW - #10 - 24 x 3/4"	1
8	C34117	NUT - #10 - 24 flange lock	1
9	141-53	PIN - clevis 5/16	1
10	132-320	PIN - cotter 3/32" x 3/4"	1
11	C43059	CLEVIS - extension.....	1
12	195-521	WASHER - 5/16" x 5/8"	1

INDEX

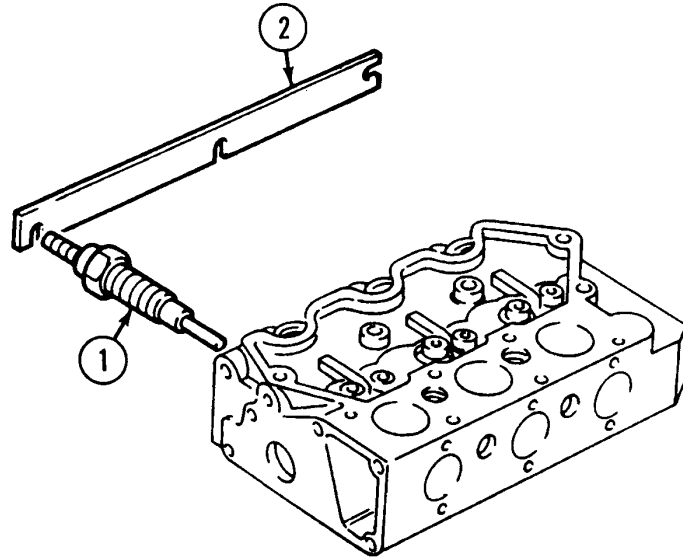


MODEL 3118D AND 4118D COMPACT TRACTORS

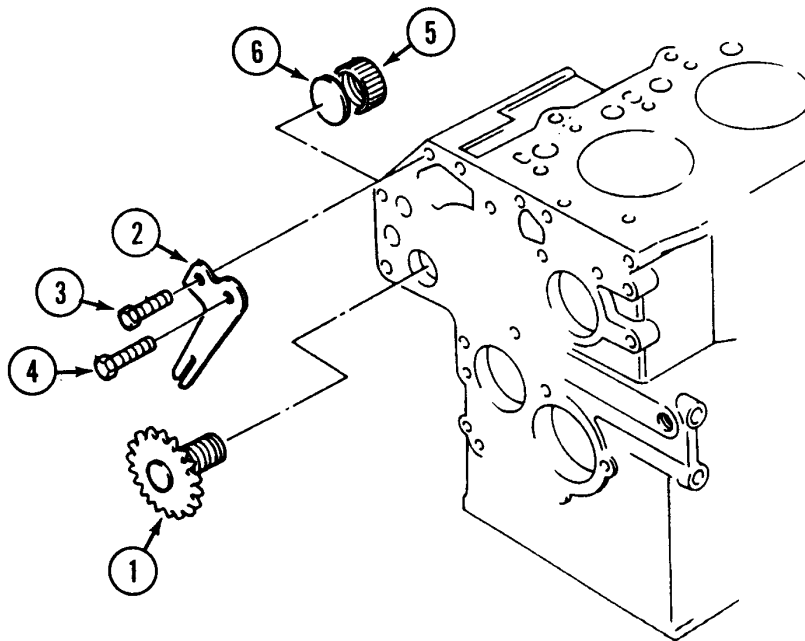
LUBRICATION COMPONENTS

REF.	PART NO.	DESCRIPTION	REQ'D
1	P110706860	SUMP	1
2	C43607	PLUG.....	1
3	C43608	WASHER.....	1
4	P010109235	SCREW.....	18
5	C43614	GASKET	1
6	P140986590	PIPE	1
7	P052109076	"O" RING	1
8	P140406310	STRAINER	1
9	P011300612	BOLT	2
10	C43997	TUBE	1
11	P011300612	BOLT	1
12	C43999	"O" RING	1
13	C43998	DIPSTICK.....	1
14	P111026371	COVER.....	1
15	C43615	GASKET	1
16	C43616	GASKET	1
17	C43605	CAP	1
18	C43606	"O" RING	1
19	P024500008	NUT	3
20	P198996060	WASHER.....	3
21	P011300650	SCREW.....	2
22	P110666110	PLATE	1
23	P110666120	GAUZE	1
24	P011300612	BOLT	2
25	P068122560	HOSE	1
26	C43443	FILTER - oil	1
27	P140546020	CONNECTOR	1
28	P140606680	PIPE	1
29	P198486780	BOLT	1
30	P198996060	WASHER.....	4
31	C43601	SWITCH - oil pressure	1

INDEX



INDEX



MODEL 3118D AND 4118D COMPACT TRACTORS

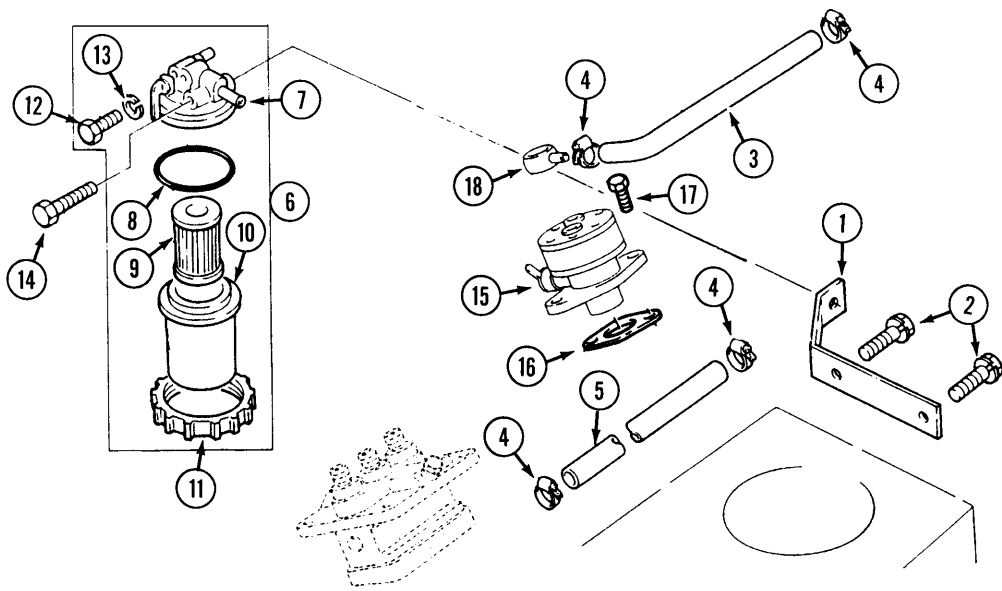
GLOW PLUGS

REF.	PART NO.	DESCRIPTION	REQ'D
1	C 43603	HEATER - glow plugs	3
2	P185376170	BAR	1

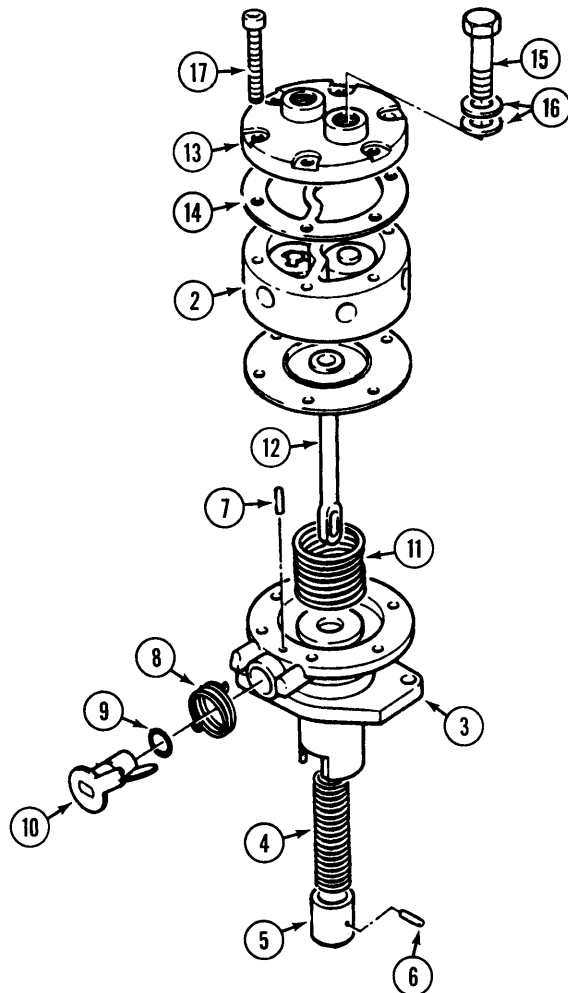
TACHOMETER

1	P120076070	SHAFT.....	1
2	P199566651	PLATE.....	1
3	P011310612	SCREW.....	1
4	P010700610	SCREW.....	1
5	P199376230	CAP.....	1
6	P120996060	SEAL.....	1

INDEX



INDEX



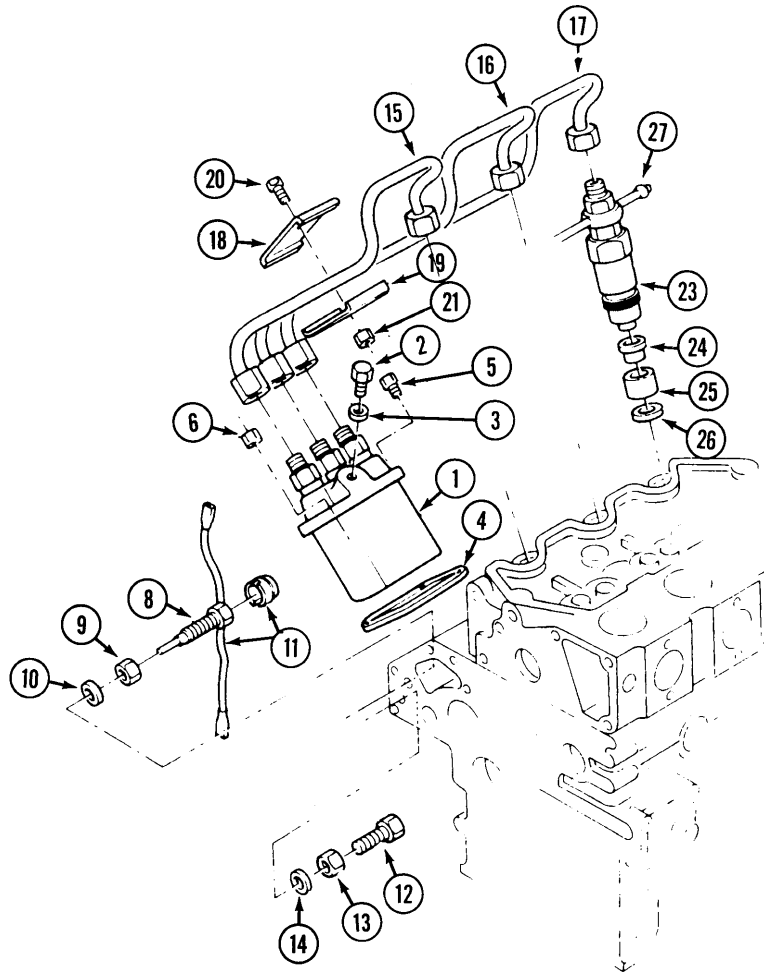
INDEX**MODEL 31 18D AND 41 18D COMPACT TRACTORS****FUEL SYSTEM (ENGINE)**

REF.	PART NO.	DESCRIPTION	REQ'D
1	C 43392	BRACKET - fuel filter mounting	1
2	P011310816	SCREW	2
3	C 42987	HOSE - fuel (pump to filter).....	1
4	P198346020	CLAMP-hose.....	4
5	C 42988	HOSE - filter to injection pump.....	1
6	P130306041	FILTER ASSEMBLY - fuel	1
7	NSS	HEAD	1
8	C 43597	"O" RING	1
9	C 43444	ELEMENT - fuel filter	1
10	P130336031	CONTAINER	1
11	P130446090	RING	1
12	P130446080	PLUG.....	2
13	P130326120	WASHER.....	2
14	P010100865	SCREW	1
15	C 43604	PUMP - fuel (repairs below).....	1
16	P130996070	GASKET	1
17	P011140616	SCREW	2
18	P0198486840	CONNECTOR	2

INDEX**FUEL PUMP**

1	C43604	PUMP - fuel.....	1
2	NSS	BODY - upper.....	1
3	P130516080	BODY - lower	1
4	P130516081	SPRING.....	1
5	P130516082	PLUNGER.....	1
6	P130516085	PIN	1
7	P130516088	PIN	1
8	P130516083	SPRING.....	1
9	P131226180	"O" RING	1
10	P130516086	LEVER.....	1
11	P130516087	SPRING.....	1
12	P130516084	DIAPHRAGM	1
13	P130516090	CAP	1
14	P130516089	GASKET	1
15	P130516092	BOLT	2
16	P130516069	WASHER.....	4
17	P130516091	SCREW	6

INDEX

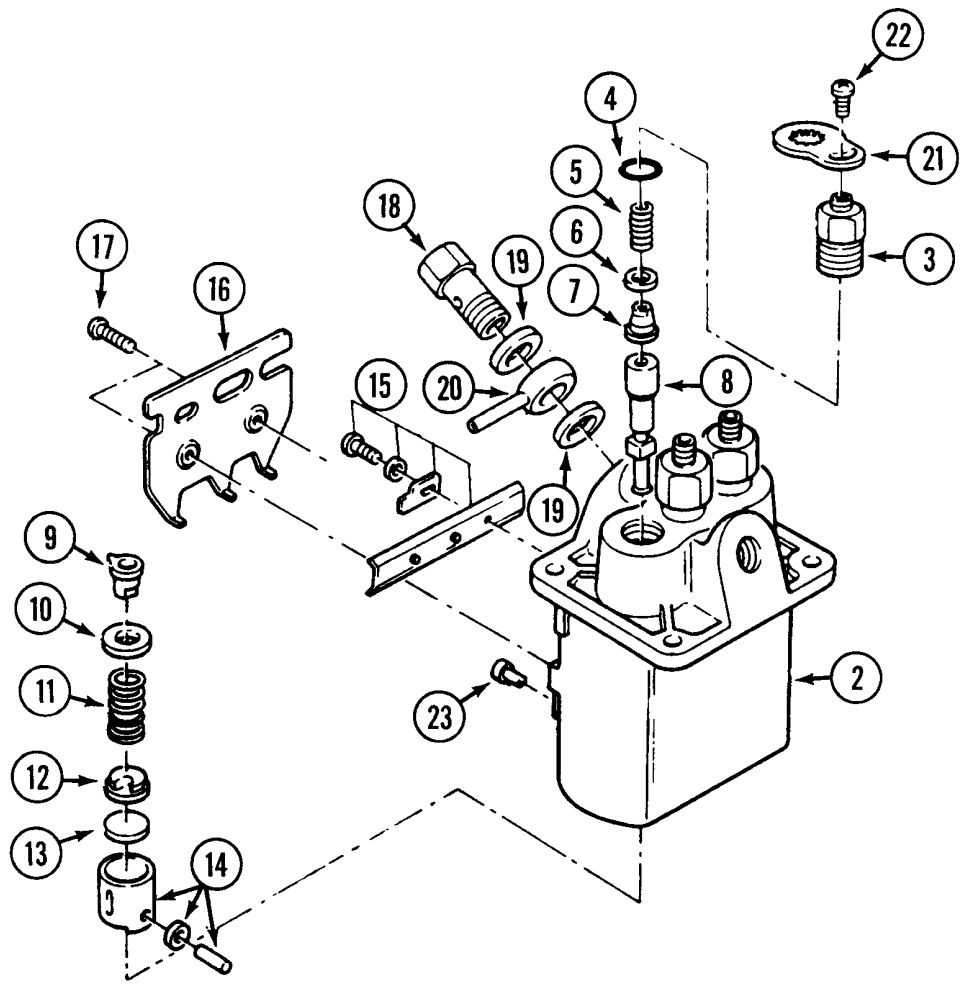


MODEL 3118D AND 4118D COMPACT TRACTORS

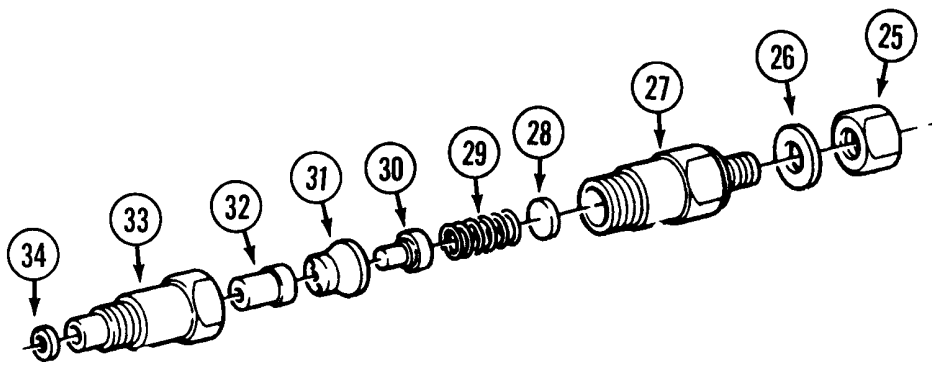
FUEL INJECTION SYSTEM

REF.	PART NO.	DESCRIPTION	REQ'D
1	P131017390	PUMP - injection (repairs page 23)	1
2	P131236280	SCREW	1
3	P025100006	WASHER	1
4	P131437310	SHIM - 0.2mm	UAR
4	P131437320	SHIM - 0.3mm	UAR
4	P131437330	SHIM - 0.4mm	UAR
4	P131437340	SHIM - 0.5mm	UAR
5	P011300620	SCREW	2
6	P023100006	NUT	6
8	P131046160	SCREW	1
9	P023109002	NUT	1
10	P025100010	WASHER	1
11	P198236030	WIRE	1
12	P010109270	SCREW	1
13	P023109002	NUT	1
14	P025100010	WASHER	1
15	P131507010	PIPE - injection (No. 1 cylinder)	1
16	P131507020	PIPE - injection (No. 2 cylinder)	1
17	P131507030	PIPE - injection (No. 3 cylinder)	1
18	P199106020	DAMPER	2
19	P199106020	DAMPER	2
20	P010100625	SCREW	2
21	P023100006	NUT	2
23	P131406340	ATOMIZER - fuel (repairs page 23)	3
24	P131426200	GASKET	3
25	P111316280	INSERT	3
26	P198996090	SEAL	3
27	P131606260	PIPE	1

INDEX



INDEX



INDEX

MODEL 3118D AND 4118D COMPACT TRACTORS

FUEL INJECTION PUMP

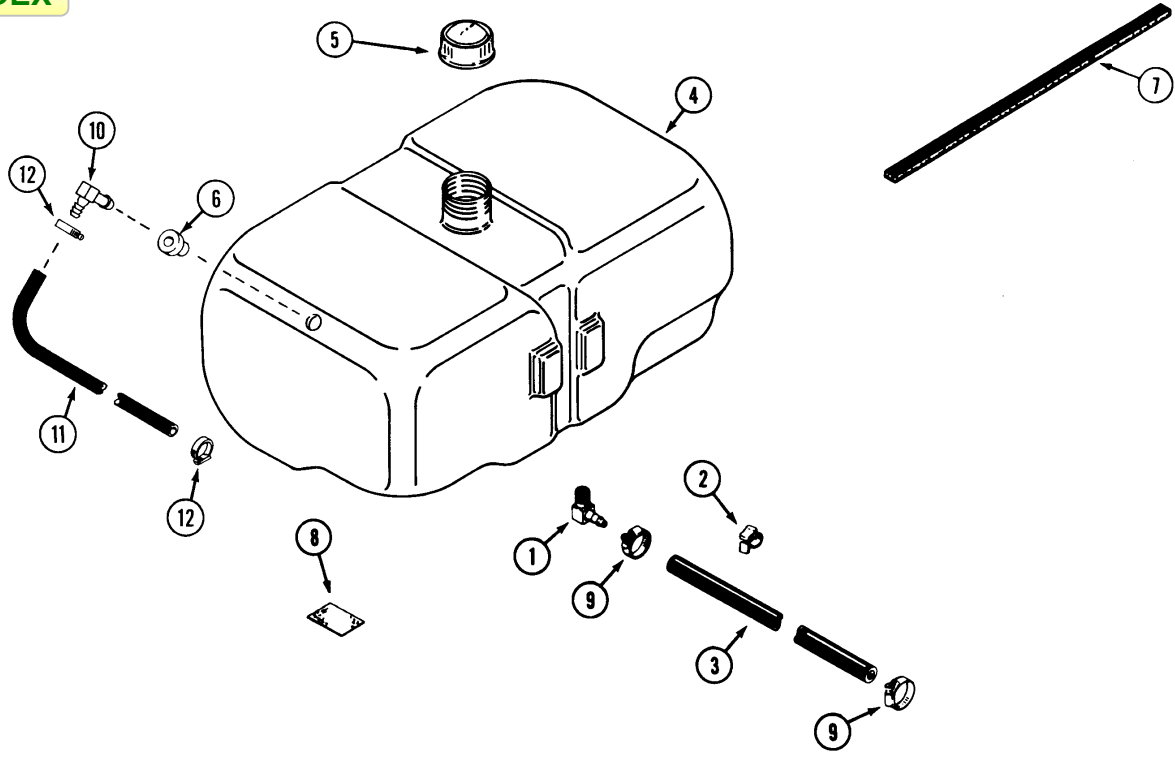
REF.	PART NO.	DESCRIPTION	REQ'D
	P131017390	PUMP - fuel injection.....	1
2	P131296665	HOUSING.....	1
3	P131196130	HOLDER.....	3
4	P131226170	"O" RING.....	3
5	P131176430	SPRING.....	3
6	P131186050	GASKET.....	3
7	P131156160	VALVE.....	3
8	P131116410	ELEMENT.....	3
9	P131296951	SLEEVE.....	3
10	P131296620	SEAT.....	3
11	P131176440	SPRING.....	3
12	P131296621	SEAT.....	3
13	P131296622	PLATE - shim 1.85mm.....	UAR
13	P131296623	PLATE - shim 1.90mm.....	UAR
13	P131296624	PLATE - shim 1.95mm.....	UAR
13	P131296625	PLATE - shim 2.00mm.....	UAR
13	P131296626	PLATE - shim 2.05mm.....	UAR
13	P131296627	PLATE - shim 2.10mm.....	UAR
13	P131296628	PLATE - shim 2.15mm.....	UAR
13	P131296629	PLATE - shim 2.20mm.....	UAR
13	P131296630	PLATE - shim 2.25mm.....	UAR
13	P131296631	PLATE - shim 2.30mm.....	UAR
13	P131296632	PLATE - shim 2.35mm.....	UAR
13	P131296633	PLATE - shim 2.40mm.....	UAR
13	P131296634	PLATE - shim 2.45mm.....	UAR
13	P131296635	PLATE - shim 2.50mm.....	UAR
14	P131256120	TAPPET.....	3
15	P131296636	RACK.....	1
16	P131296650	BRACKET.....	1
17	P131136320	SCREW.....	2
18	P131236190	BOLT.....	1
19	P131426180	WASHER.....	2
20	P131246130	NIPPLE.....	1
21	P131296662	PLATE.....	3
22	P131136330	SCREW.....	3
23	P131296651	PIN.....	3

INDEX

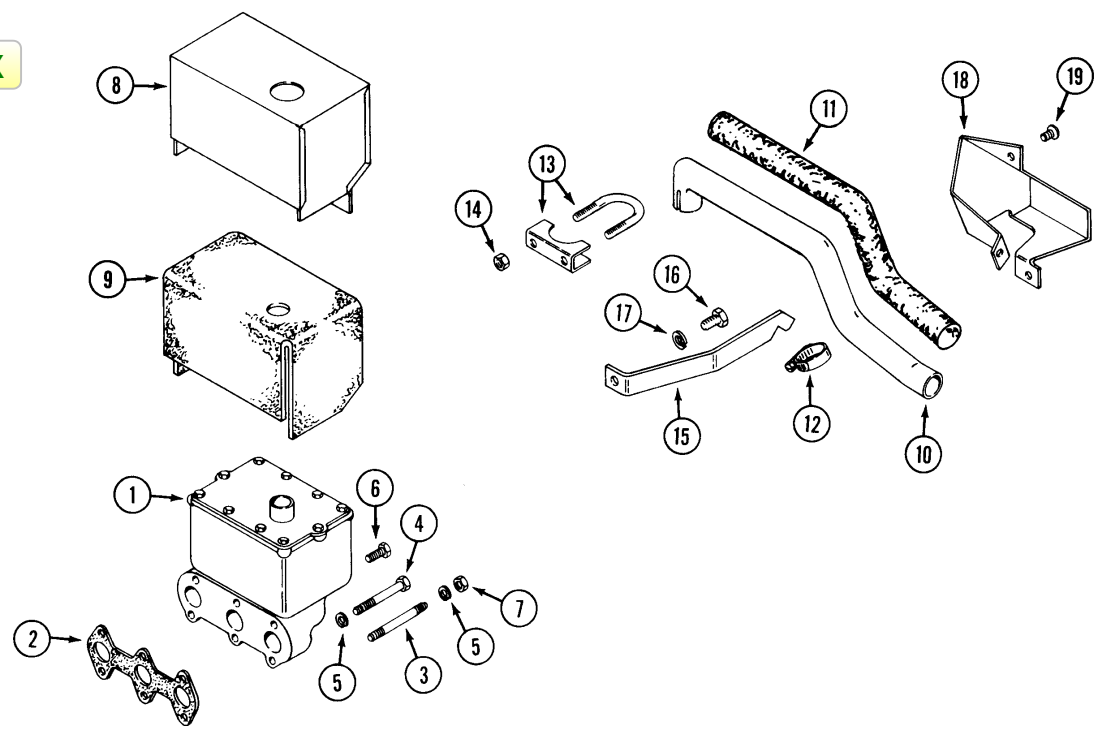
ATOMIZER

	P131406340	ATOMIZER.....	3
25	P131446069	NUT.....	1
26	P131426210	WASHER.....	1
27	P131446065	BODY.....	1
28	P131437250	SHIM - 0.90mm.....	UAR
28	P131437251	SHIM - 0.925mm.....	UAR
28	P131437252	SHIM - 0.95mm.....	UAR
28	P131437253	SHIM - 0.975mm.....	UAR
28	P131437254	SHIM - 1.00mm.....	UAR
28	P131437255	SHIM - 1.025mm.....	UAR
28	P131437256	SHIM - 1.05mm.....	UAR
28	P131437257	SHIM - 1.075mm.....	UAR
28	P131437258	SHIM - 1.10mm.....	UAR
28	P131437259	SHIM - 1.125mm.....	UAR
28	P131437260	SHIM - 1.15mm.....	UAR
28	P131437261	SHIM - 1.175mm.....	UAR
28	P131437262	SHIM - 1.20mm.....	UAR
28	P131437263	SHIM - 1.225mm.....	UAR
28	P131437264	SHIM - 1.250mm.....	UAR
28	P131437265	SHIM - 1.275mm.....	UAR
28	P131437266	SHIM - 1.30mm.....	UAR
28	P131437267	SHIM - 1.325mm.....	UAR
28	P131437268	SHIM - 1.35mm.....	UAR
28	P131437269	SHIM - 1.375mm.....	UAR
28	P131437270	SHIM - 1.40mm.....	UAR
28	P131437271	SHIM - 1.425mm.....	UAR
28	P131437272	SHIM - 1.45mm.....	UAR
29	P131446066	SPRING.....	1
30	P131446070	PIN.....	1
31	P131446068	SPACER.....	1
32	P131416150	NOZZLE.....	1
33	P131446067	NUT.....	1

INDEX



INDEX



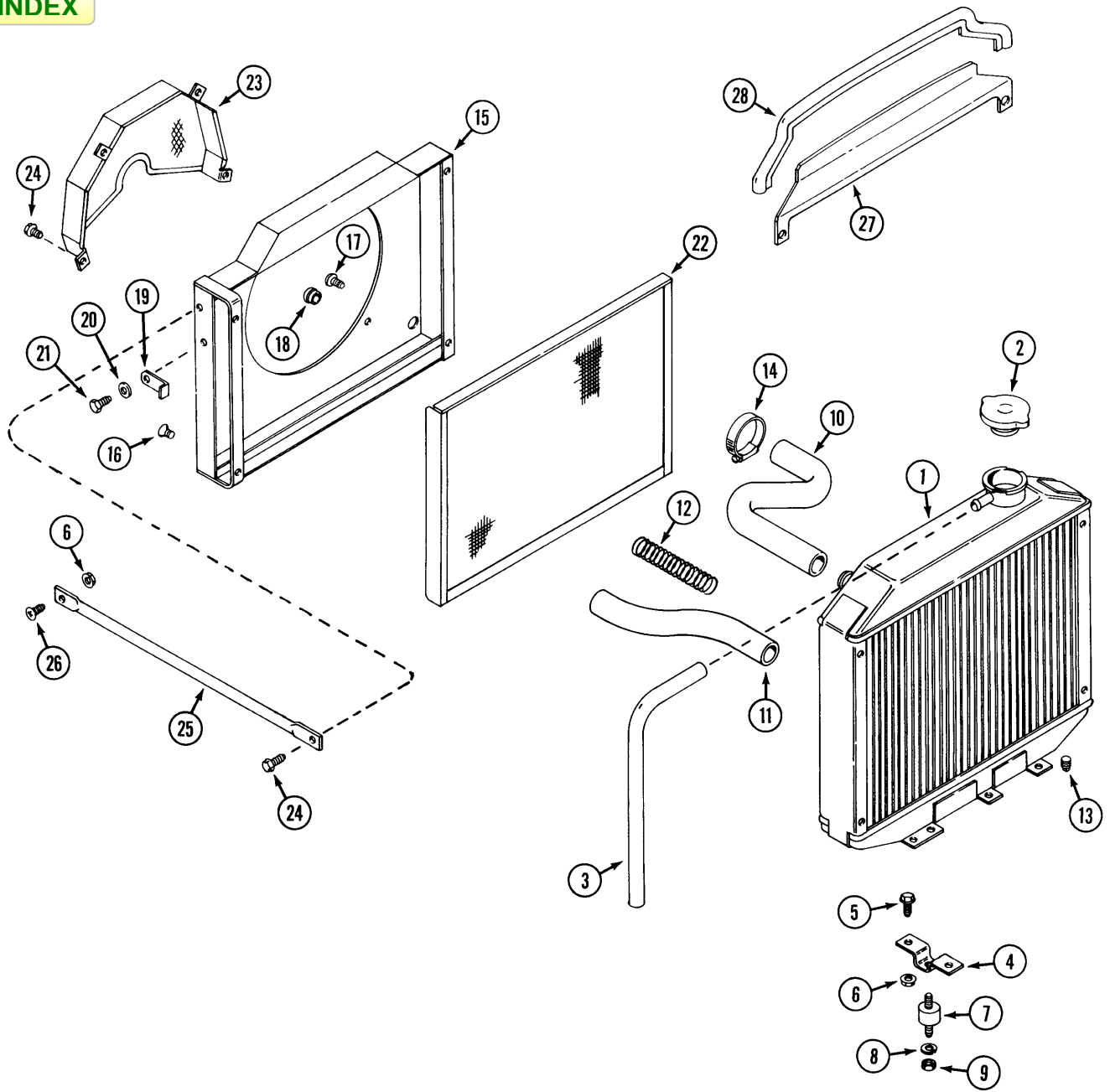
INDEX**MODEL 3118D AND 4118D COMPACT TRACTORS****FUEL SYSTEM (TRACTOR)**

REF.	PART NO.	DESCRIPTION	REQ'D
1	C10678	ELBOW - hose 90°	1
2	C28962	RETAINER - fuel line	1
3	NSS	HOSE - fuel line (use C28937 cut to length).....	1
4	C43051	TANK - fuel.....	1
5	C37094	CAP - fuel.....	1
6	C43052	GROMMET.....	1
7	C23527	LINER - tank.....	1
8	C14690	CUSHION - fuel tank.....	2
9	C32376	CLAMP - hose 1/2".....	UAR
10	C43053	FITTING - hose 90°	1
11	C43401	HOSE - fuel return (cut to length)	1
12	214-274	CLAMP - hose.....	UAR

INDEX**EXHAUST SYSTEM**

1	C43987	MUFFLER - exhaust	1
2	C43988	GASKET - manifold	1
3	C43989	STUD - muffler	2
4	8146070	BOLT - M6 - 10 x 70	3
5	192-19	LOCKWASHER - 1/4"	5
6	814-6040	BOLT - M6 - 10 x 40	3
7	825-1106	NUT - M6 - 10	2
8	C43355	BOX - heat shield	1
9	C43356	SHEATH - muffler	1
10	C43357	PIPE - exhaust	1
11	C44316	SHEATH - exhaust pipe	1
12	214-255	CLAMP - hose	3
13	C28294	CLAMP - exhaust pipe	1
14	129-102	NUT - 5/16" - 18	2
15	C43359	BRACE - exhaust pipe	1
16	814-8016	BOLT - M8 - 1.25 x 16.....	1
17	192-20	WASHER - 5/16"	1
18	C43360	SHIELD - exhaust pipe.....	1
19	C33576	SCREW - 1/4" - 20 x 5/16"	3

INDEX



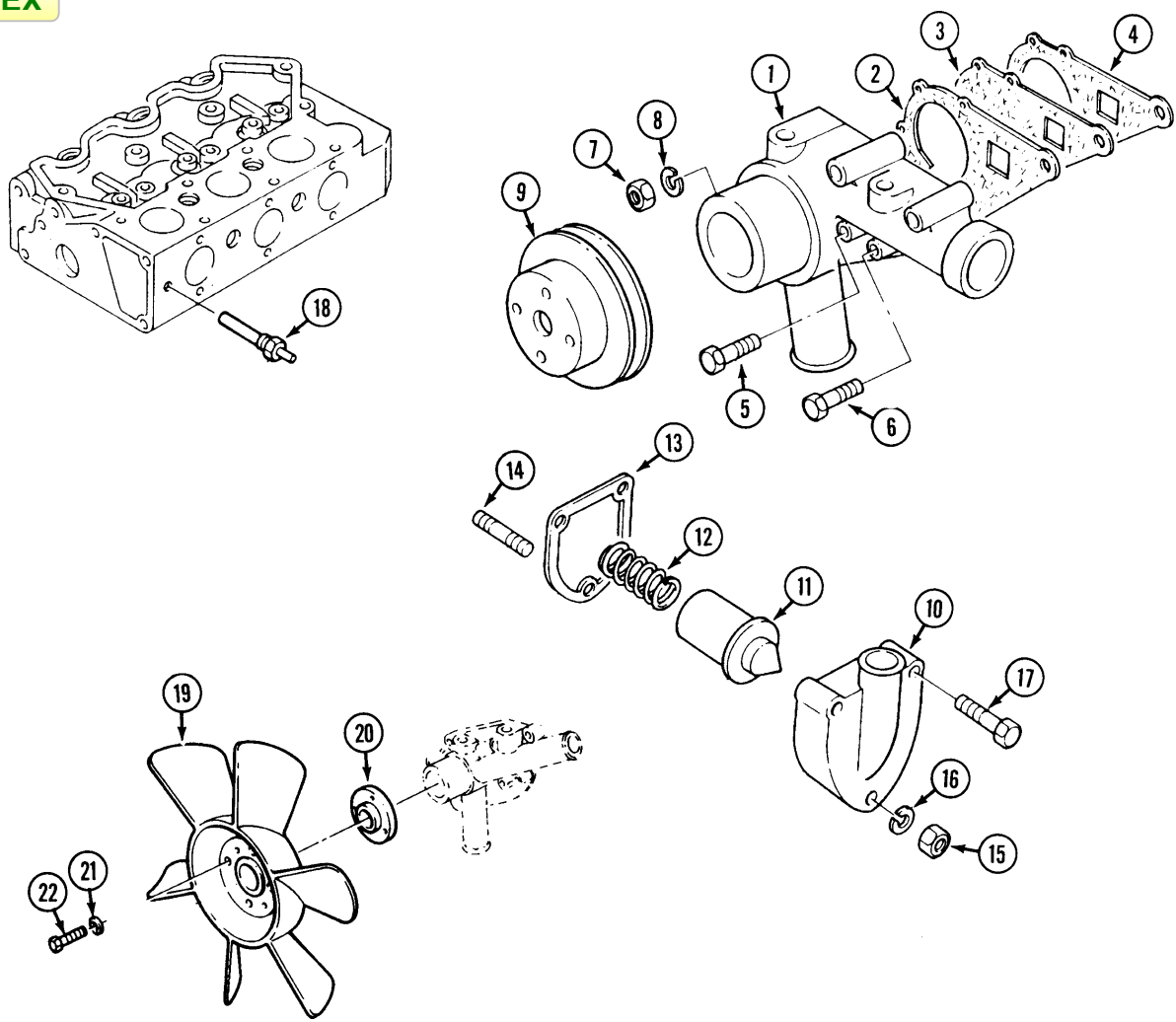
MODEL 3118D AND 4118D COMPACT TRACTORS

RADIATOR AND SHROUD

REF.	PART NO.	DESCRIPTION	REQ'D
1	C43211	RADIATOR.....	1
2	C43009	CAP - radiator 15 PSI.....	1
3	C43011	HOSE - overflow 23".....	1
4	C43148	BRACKET - mounting.....	2
5	187-1036	SCREW - 1/4" - 20 x 1/2".....	4
6	131-934	NUT - 1/4" - 20 flange lock.....	6
7	C43012	MOUNT - rubber.....	2
8	192-19	LOCKWASHER - 1/4".....	4
9	129-101	NUT - 1/4.....	4
10	C43021	HOSE - radiator inlet.....	1
11	C43022	HOSE - radiator outlet.....	1
12	C44567	SPRING - hose insert.....	1
13	C43010	PLUG - drain (included with radiator).....	1
14	214-255	CLAMP - hose.....	4
15	C44013	SHROUD - fan.....	1
16	C44306	SCREW - 1/4" - 20 x 1/2" flathead.....	2
17	C33576	SCREW - 1/4" - 20 x 5/16".....	2
18	353-406	PLUG - hole.....	2
19	C43035	LATCH - screen.....	1
20	195-518	WASHER - 1/4".....	1
21	113-1	BOLT - 1/4" - 20 x 1/2".....	1
22	C44038	SCREEN - radiator.....	1
23	C43385	GUARD - fan.....	1
24	187-1036	SCREW - 1/4" - 20 x 1/2" tap.....	6
25	C43013 *	BRACE - radiator R.H. (shown).....	1
25	C44319 **	BRACE - radiator R.H.....	1
25	C43363	BRACE - radiator L.H.....	1
26	C31597	SCREW - 1/4" - 20 x 1/2".....	2
27	C43342	BAFFLE - air.....	1
28	C44141	TRIM - edge bulb.....	1

* Use before PIN:
 ** Use PIN and after:
 3118D - 14178772
 4118D - 14179302

INDEX



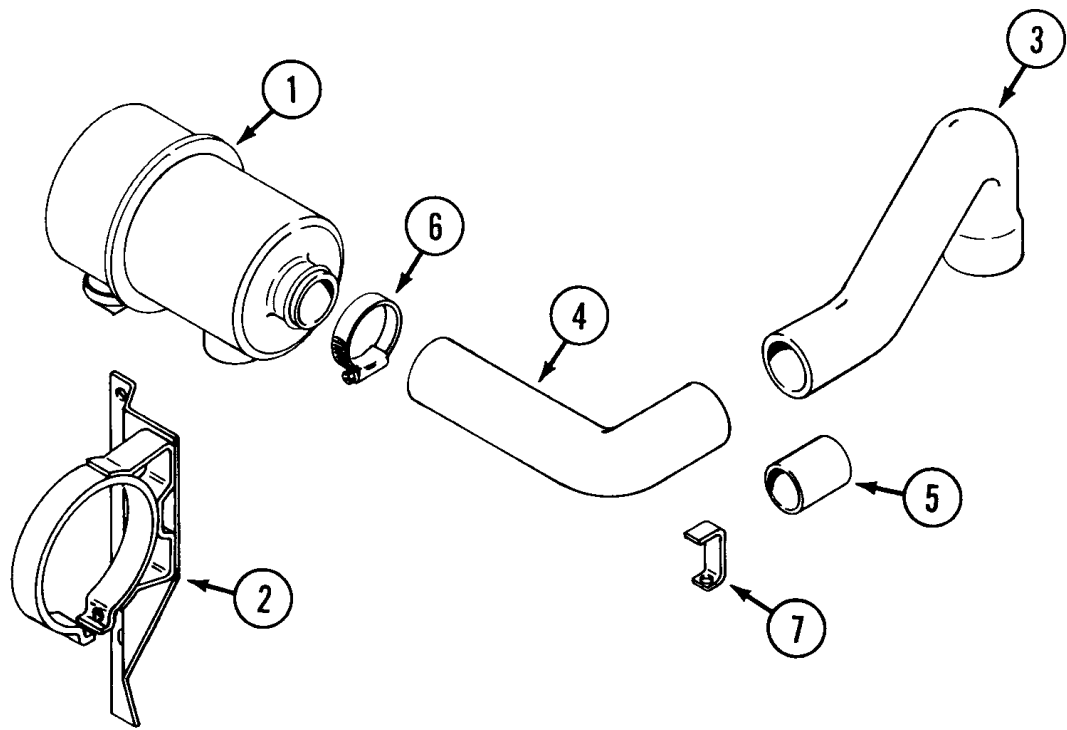
MODEL 3118D AND 4118D COMPACT TRACTORS

INDEX

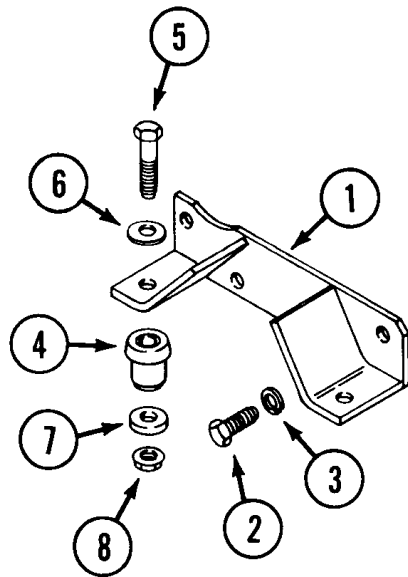
WATER PUMP, THERMOSTAT, TEMPERATURE SENDER

REF.	PART NO.	DESCRIPTION	REQ'D
1	P145016840	PUMP - water.....	1
2	C43617	GASKET.....	1
3	C43618	BACKPLATE.....	1
4	C43619	GASKET.....	1
5	P011300635	SCREW.....	3
6	P011300650	SCREW.....	4
7	P023100006	NUT.....	1
8	P027100006	WASHER.....	1
9	P145336490	PULLEY.....	1
10	P145216161	HOUSING.....	1
11	C43598	THERMOSTAT.....	1
12	C43599	SPRING.....	1
13	C43600	GASKET.....	1
14	P012100650	STUD.....	1
15	P023100006	NUT.....	1
16	P027100006	WASHER.....	1
17	P011300650	SCREW.....	2
18	C43602	SENDER - temperature.....	1
19	C42984	FAN.....	1
20	C42986	SPACER - fan.....	1
21	192-19	LOCKWASHER - 1/4".....	4
22	814-6045	SCREW - M6 - 1.0 x 45.....	4

INDEX



INDEX



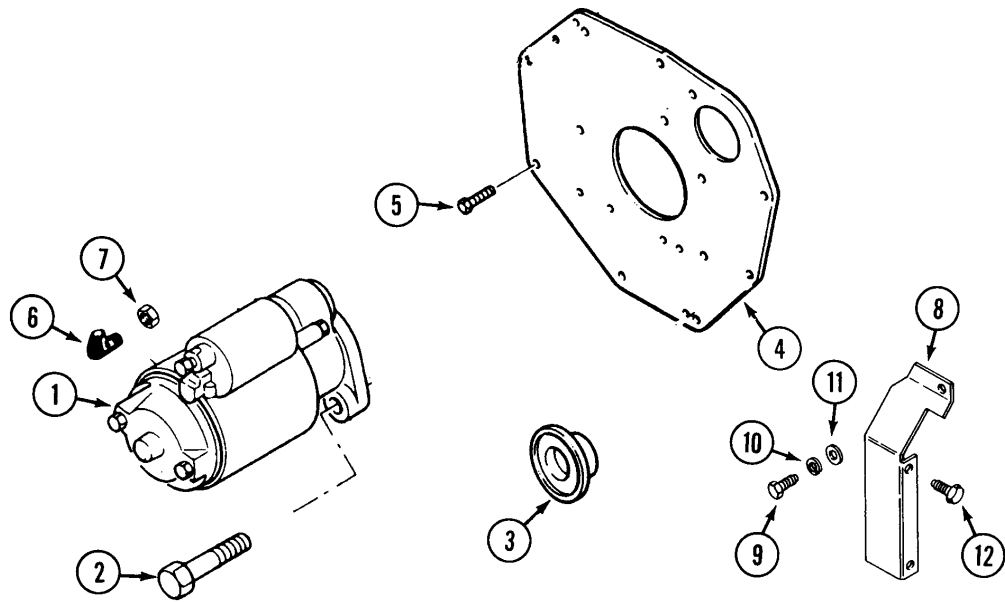
INDEX**MODEL 3118D AND 4118D COMPACT TRACTORS****AIR CLEANER**

REF.	PART NO.	DESCRIPTION	REQ'D
1	C43030	AIR CLEANER ASSEMBLY.....	1
	C43445	ELEMENT - air cleaner.....	1
	C43594	WING NUT - element.....	1
	C43595	WING NUT - cup.....	1
	C43596	WASHER - cup.....	1
2	C43031	BRACKET - air cleaner.....	1
3	C43099	HOSE - upper.....	1
4	C43100	HOSE - lower.....	1
5	C43101	TUBE - air.....	1
6	214-258	CLAMP - hose.....	4
7	C44077	BRACKET - hose support.....	1

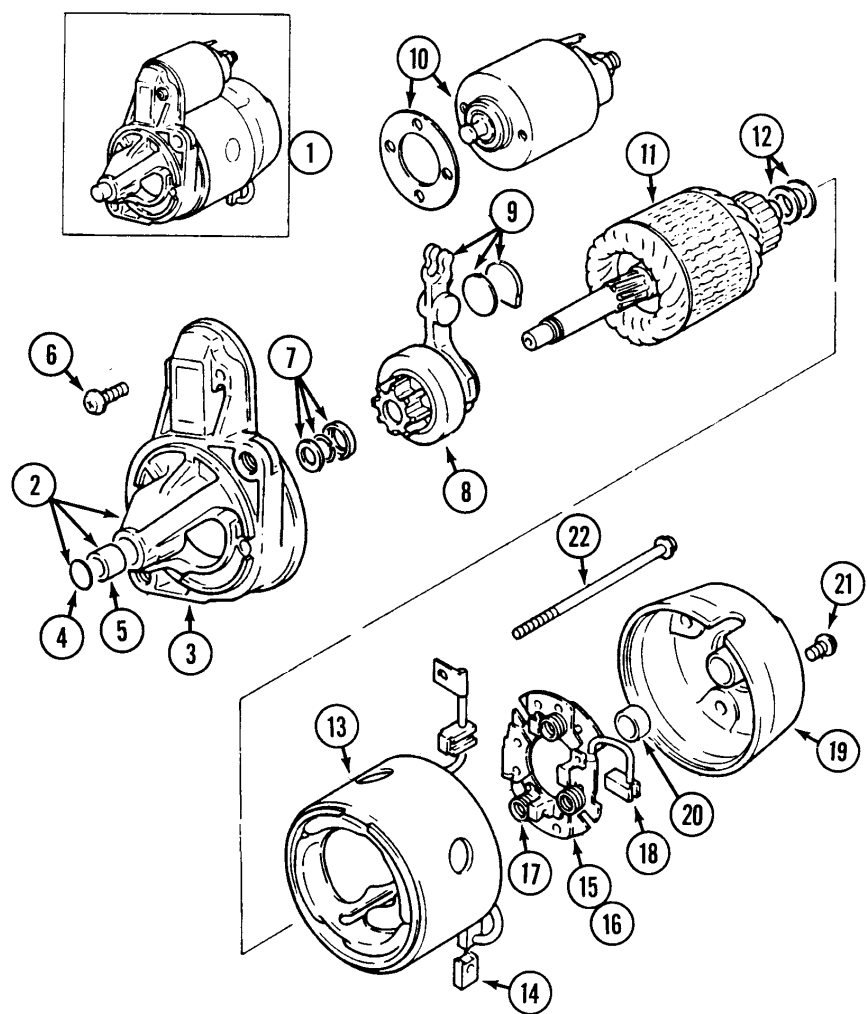
INDEX**ENGINE MOUNTS**

1	C43001	BRACKET - engine mount.....	2
2	814-10025	BOLT - M10 x 1.5 x 25.....	8
3	192-22	LOCKWASHER - 7/16".....	8
4	C43351	MOUNT - rubber.....	4
5	113-213	BOLT - 3/8" - 16 x 2-1/4".....	4
6	195-104	WASHER - 7/16".....	4
7	C29812	WASHER - 3/8" x 1-3/8" x 1/4".....	4
8	131-1352	NUT - 3/8" - 16 flange lock.....	4

INDEX



INDEX



INDEX

MODEL 3118D AND 4118D COMPACT TRACTORS

STARTER, PLATE AND FLYWHEEL SHIELD

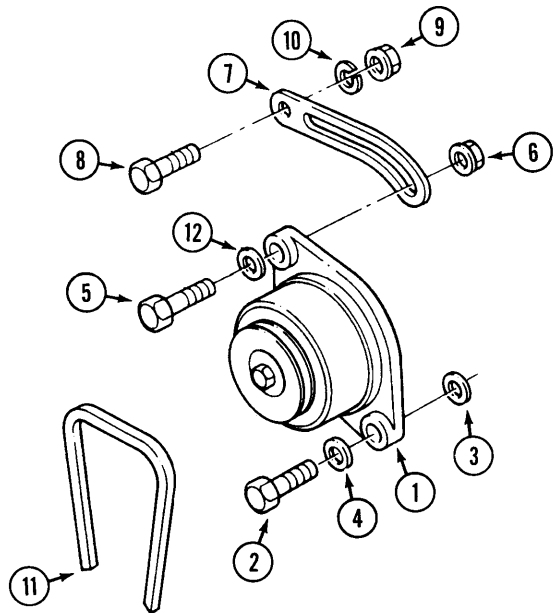
REF.	PART NO.	DESCRIPTION	REQ'D
1	C43609	STARTER - repairs below	1
2	P011601020	SCREW.....	2
3	P198636080	SEAL.....	1
4	P110366700	PLATE.....	1
5	P011310816	SCREW.....	10
6	C44079	INSULATOR - terminal.....	1
7	C42835	NUT - M8.....	1
8	C43307	SHIELD - flywheel R.H.....	1
9	814-8016	BOLT - M8 - 1.25.....	1
10	192-20	LOCKWASHER - 5/16".....	1
11	195-102	WASHER - 5/16" x 3/4".....	1
12	121-21	BOLT - 1/4" - 20 x 1/2" flange lock.....	2

INDEX

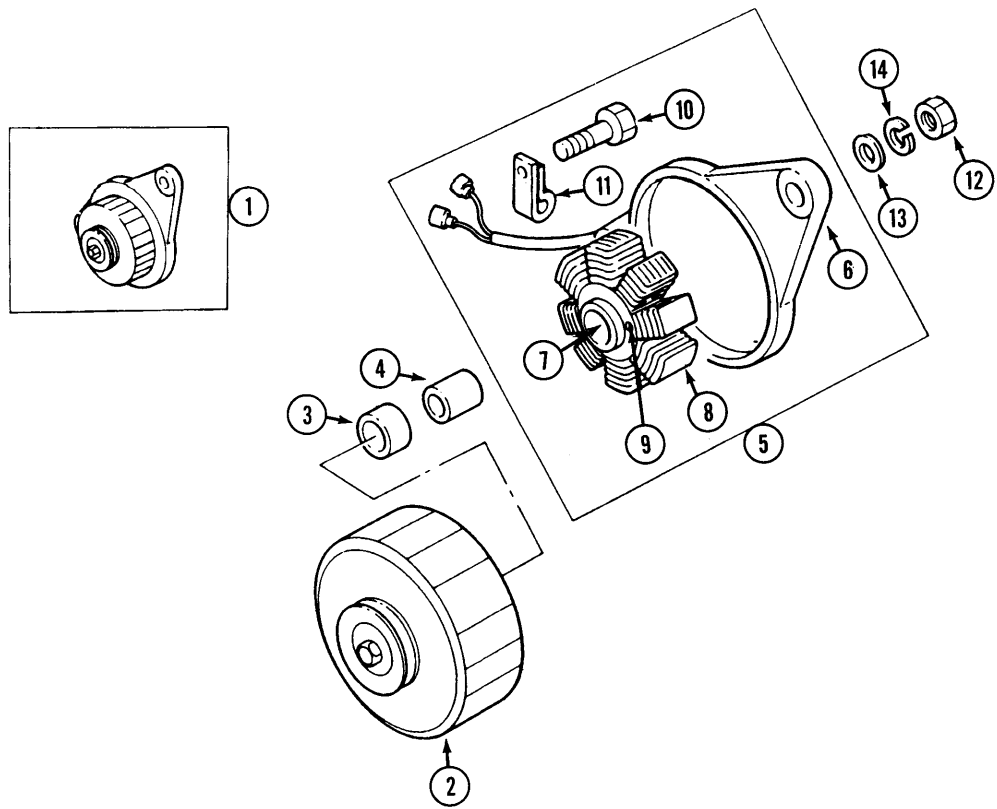
STARTER ASSEMBLY

1	C43609	STARTER.....	1
2	P185846471	COVER ASSEMBLY.....	1
3	NSS	COVER.....	1
4	NSS	RING.....	1
5	P185846472	BUSHING.....	1
6	P185846468	SCREW.....	2
7	P185846473	WASHER.....	1
8	P185866240	PINION.....	1
9	P185846469	LEVER.....	1
10	P185816220	SWITCH.....	1
11	P185846474	ARMATURE.....	1
12	P185846475	WASHER.....	1
13	P185846476	YOKE.....	1
14	P185416400	BRUSH.....	1
15	P185416390	HOLDER ASSEMBLY.....	1
16	NSS	HOLDER.....	1
17	P185886010	SPRING.....	1
18	P185416410	BRUSH.....	1
19	P185846477	COVER.....	1
20	P185846478	BUSHING.....	1
21	P185846468	SCREW.....	3
22	P185846470	SCREW.....	2

INDEX



INDEX



INDEX

MODEL 3118D AND 4118D COMPACT TRACTORS

ALTERNATOR AND BELT

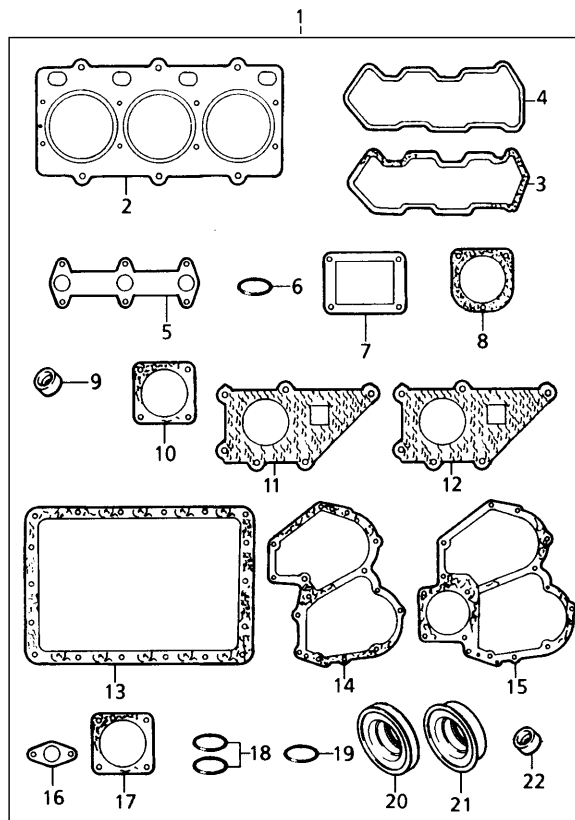
REF.	PART NO.	DESCRIPTION	REQ'D
1	C 43610	ALTERNATOR - see below for service	1
2	P010110850	SCREW.....	1
3	P026109011	WASHER.....	1
4	P026200008	WASHER.....	1
5	P01 2800840	SCREW.....	1
6	P023100008	NUT.....	1
7	P1 85726431	LEVER.....	1
8	P011300816	SCREW.....	1
9	P023100008	NUT.....	1
10	P027100008	WASHER.....	1
11	P080109048	BELT.....	1
12	P026109017	WASHER.....	1

INDEX

ALTERNATOR ASSEMBLY

1	C43610	ALTERNATOR.....	1
2	P185446219	PULLEY.....	1
3	P040126201	BEARING.....	1
4	P199236510	COLLAR.....	1
5	P185446217	PLATE ASSEMBLY.....	1
6	P185716200	PLATE.....	1
7	P040126201	BEARING.....	1
8	P185446218	STATOR.....	1
9	P015140425	SCREW.....	2
10	P015140408	SCREW.....	1
11	P185446220	CLIP.....	5
12	P020210010	NUT.....	1
13	P026100010	WASHER.....	1
14	P027100010	WASHER.....	1

INDEX

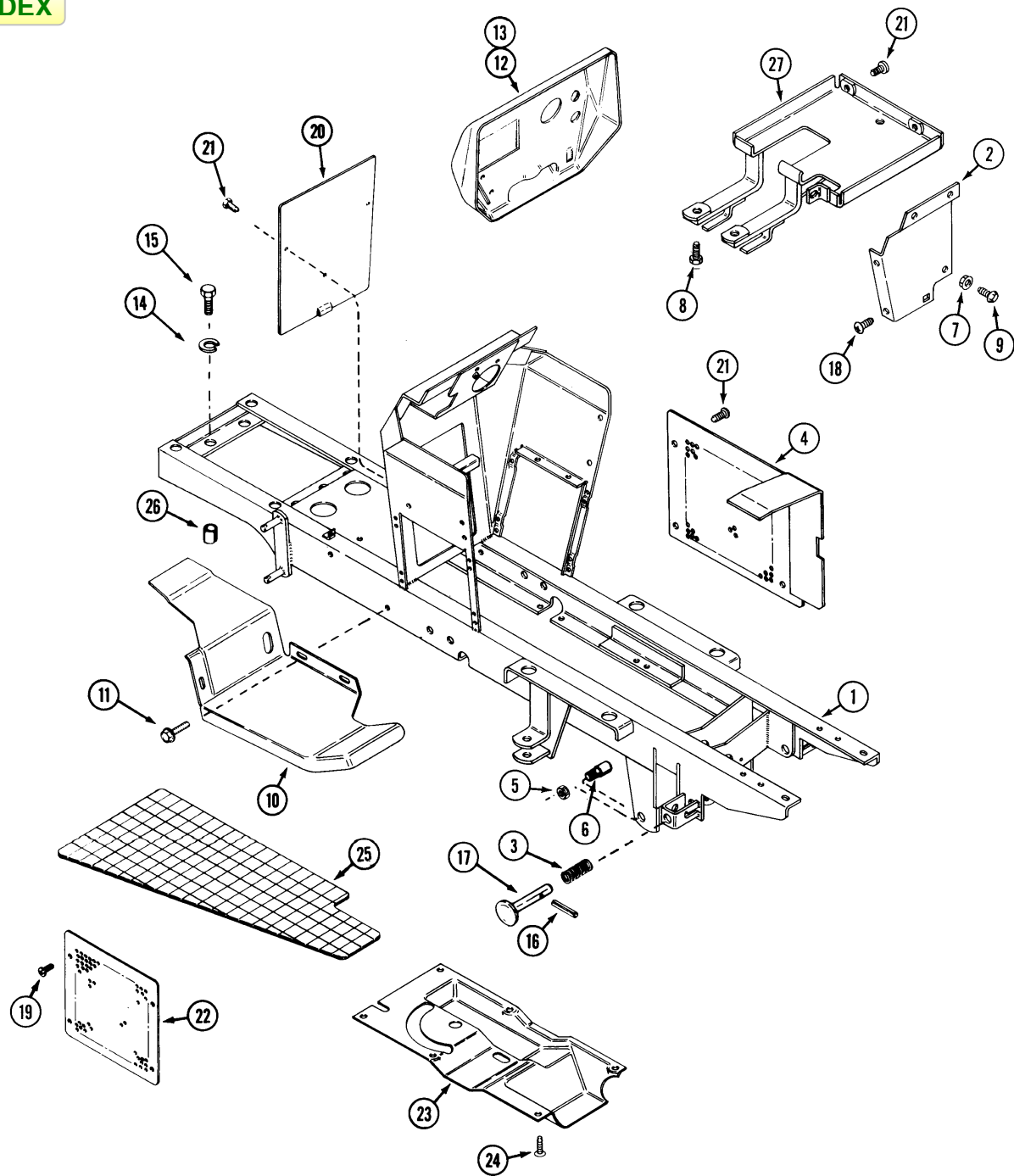


MODEL 3118D AND 4118D COMPACT TRACTORS

GASKET KIT

REF.	PART NO.	DESCRIPTION	REQ'D
1	P195906840	KIT - gasket, complete	1
2	P111147390	GASKET - head	1
3	C43615	GASKET - cover	1
4	C43616	GASKET - cover	1
5	C43988	GASKET - exhaust	1
6	C43606	"O" RING - cap	1
7	P130996070	GASKET - fuel pump	1
8	C43600	GASKET - thermostat	1
9	P120406080	SEAL - valve stem	3
10	P314990013	GASKET - (not used)	1
11	C43619	GASKET - water pump	1
12	C43617	GASKET - water pump	1
13	C43614	GASKET - sump, oil	1
14	C43612	GASKET - case	1
15	C43613	GASKET - plate	1
16	P130996070	GASKET - fuel pump	1
17	P165996420	GASKET - plate	1
18	C43999	"O" RING - oil tube	2
19	P052109076	"O" RING - oil pipe	1
20	P198636090	SEAL - case	1
21	P198636080	SEAL - plate	1
22	P131426200	GASKET - atomizer	3

INDEX

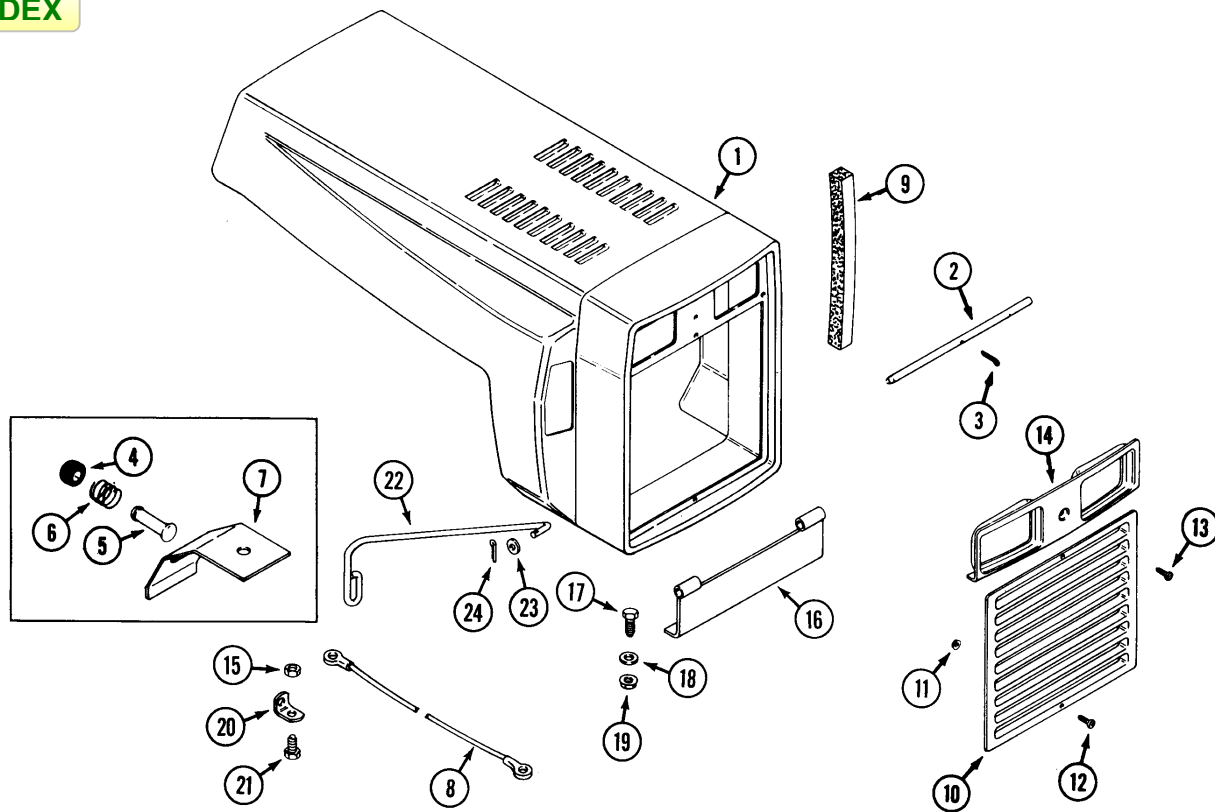


MODEL 3118D AND 4118D COMPACT TRACTORS

FRAME, FOOT PADS AND BELLY PAN

REF.	PART NO.	DESCRIPTION	REQ'D
1	C42943	FRAME - main (3118D).....	1
1	C42944	FRAME - main shown (4118D).....	1
2	C42979	SHIELD - oil tank.....	1
3	C24137	SPRING - latch.....	1
4	C43109	SCREEN AND SHIELD - tower side (L.H.).....	1
5	131-1318	NUT - lock 1/2" N.F.	2
6	C27508	PIN - attachment	2
7	131-934	NUT - 1/4" - 20 flange lock.....	1
8	121-21	BOLT - 1/4" - 20 x 1/2"	4
9	187-1036	SCREW - 1/4" - 20 x 1/2" self-tap	1
10	C37132	FOOT REST - L.H. (3118D).....	1
10	C37134	FOOT REST - R.H. (3118D).....	1
10	C37136	FOOT REST - L.H. (4118D).....	1
10	C37138	FOOTREST - R.H. (4118D)	1
11	121-106	BOLT - 5/16" x 1/2" N.C. flange lock.....	4
12	C43088	CAP - instrument panel (includes insert decal).....	1
13	C43090	INSERT - instrument panel cap	1
14	192-23	LOCKWASHER - 1/2"	4
15	113-424	BOLT - 1/2" - 13 x 1" transaxle mounting.....	UAR
15	166-86	BOLT - 1/2" x 1-1/4", 12 pt. flange	UAR
16	138-2073	PIN - roll 3/16" x 1-1/4"	2
17	C16373	PIN - latch.....	2
18	C31597	SCREW - 1/4" - 20 x 1/2" black.....	4
19	C33576	SCREW - 1/4" - 20 x 5/16" black.....	8
20	C33548	COVER - access	1
21	C33576	SCREW - 1/4" - 20 x 5/16" black.....	UAR
22	C31967	SCREEN - tower side R.H.	1
23	C33580	PAN - belly	1
24	C31603	RETAINER - belly pan	6
25	C37140	PAD - footrest (L.H.).....	1
25	C37141	PAD - footrest (R.H.) shown.....	1
26	C14730	SPACER - rear, frame (3118D)	2
27	C43064	TRAY - battery and oil tank.....	1

INDEX



MODEL 3118D AND 4118D COMPACT TRACTORS

HOOD AND GRILLE

REF.	PART NO.	DESCRIPTION	REQ'D
1	C42968	HOOD.....	1
	C31357	HINGE - hood (not shown) is welded to hood	1
2	C16362	ROD - hood hinge	1
3	132-334	PIN - cotter 1/8" x 3/4"	1
4	C29314	BUTTON - push, hood release	1
5	C30126	ROD - push, hood release	1
6	C30004	SPRING - release	1
7	C44005	LATCH - hood	1
8	C37147 *	LANYARD	1
9	C43077	SEAL - air	4
10	C43086	GRILLE.....	1
11	131-934	NUT - 1/4" - 20 flange lock.....	2
12	C31597	SCREW - 1/4" - 20 x 1/2" black.....	2
13	187-1328	SCREW - #8 - 18 x 3/8"	1
14	C31366	SHROUD - headlight.....	1
15	131-1102	NUT - 1/4" - 20 lock.....	2
16	C42977	BRACKET - hinge, hood	1
17	113-102	BOLT - 5/16" - 18 x 3/4"	2
18	195-103	WASHER - 3/8" x 7/8"	2
19	C33733	NUT - 5/16" - 18 flange lock.....	2
20	C43337	BRACKET - lanyard mount.....	2
21	113-1	BOLT - 1/4" - 20 x 1/2"	2
22	C44318 **	BRACE-hood.....	2
23	195-518	WASHER - 1/4"	1
24	132-320	PIN - cotter 3/32"	1

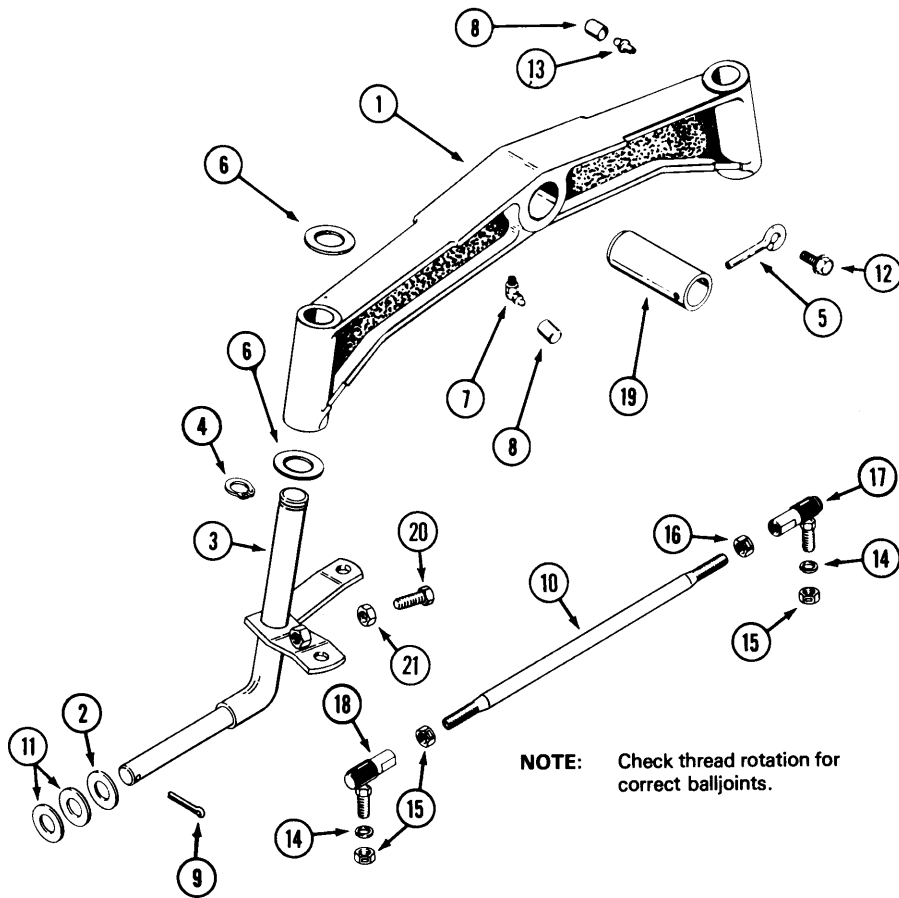
* Use before PIN:
 ** Use PIN and after:
 31180- 14178772
 41180- 14179302

MODEL 3118D AND 4118D COMPACT TRACTORS

SEAT, FENDERS AND TOOL TRAY

REF.	PART NO.	DESCRIPTION	REQ'D
1	C37261	SUPPORT - seat, front shown (3118D)	1
1	C37262	SUPPORT - seat, front (4118D)	1
2	C43079	SUPPORT - seat, rear (3118D) shown	1
2	C43080	SUPPORT - seat, rear (4118D)	1
3	113-427	BOLT - 1/2" x 3-1/4" (3118D)	2
3	113-441	BOLT - 1/2" - 2-1/4" N.C. hex (4118D).....	2
4	113-424	BOLT - 1/2" x 1" N.C. hex	1
4	113-118	BOLT - 5/16" x 5/8"	1
5	192-20	LOCKWASHER - 5/16"	1
5	192-23	LOCKWASHER - 1/2"	4
6	C44321	TRAY - tool (includes switch bracket)	1
7	C16429	PIN - seat hinge	1
8	C44320	SEAT - black	1
9	C37428	PLATE - shift pattern (3118D).....	1
9	C37430	PLATE - shift pattern (4118D).....	1
10	C37409	COVER - shift lever (3118D).....	1
10	C37411	COVER - shift lever (4118D).....	1
11	C42155	PROTECTOR - tail light	2
12	C37462	SPRING - seat switch	1
13	121-106	BOLT - 5/16" x 1/2" flange lock	10
14	C37152	HINGE ASSEMBLY - seat	1
15	C26526	CAP - spring	1
16	C10487	KNOB-shift	1
17	C37244	LEVER-shift (3118D).....	1
17	C37247	LEVER - shift (4118D).....	1
18	195-525	WASHER - 7/16" x 1-1/4" O.D	1
19	C10482	SPRING - shift lever.....	1
20	132-310	PIN - cotter 1/8" x 1".....	1
21	131-934	NUT - 1/4" - 20 flange lock	2
22	C29305	CAP - spring	2
23	C29306	SPRING - seat	2
24	113-102	BOLT - 5/16" - 18 x 3/4"	3
25	131-911	NUT - 5/16" - 18 flange lock	15
26	131-934	NUT- 1/4".....	2
26]	C37154	FENDER - R.H. (3118D).....	1
27	C37153	FENDER - R.H. (3118D).....	1
27	C37156	FENDER - R.H. (4118D).....	1
27	C37155	FENDER - L.H. (4118D).....	1
28	C31597	SCREW - 1/4" - 20 x 1/2"	6
29	C37299	BRACKET - seat switch mounting (early production)	1
30	113-2	BOLT - 1/4" - 20 x 5/8"	2

INDEX



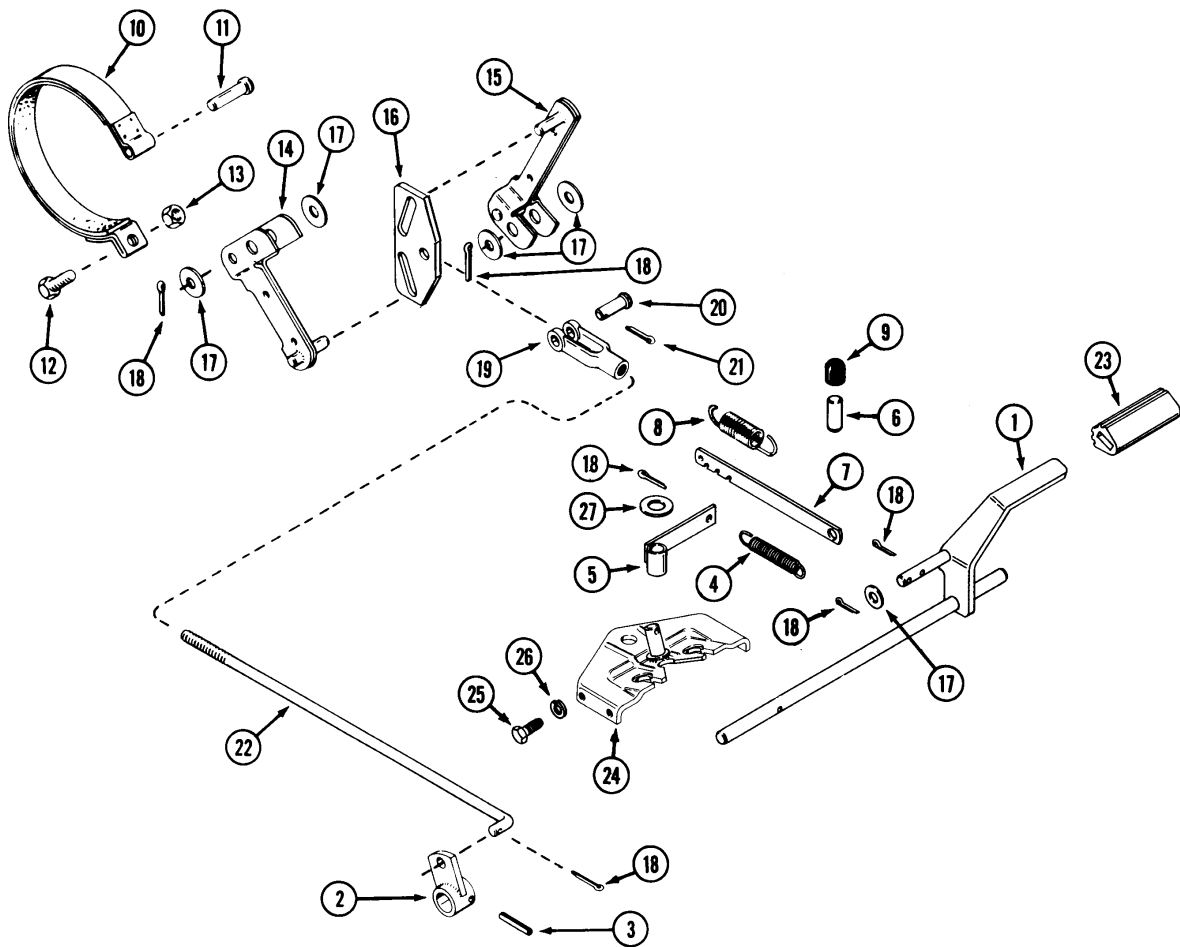
MODEL 3118D AND 4118D COMPACT TRACTORS

FRONT AXLE

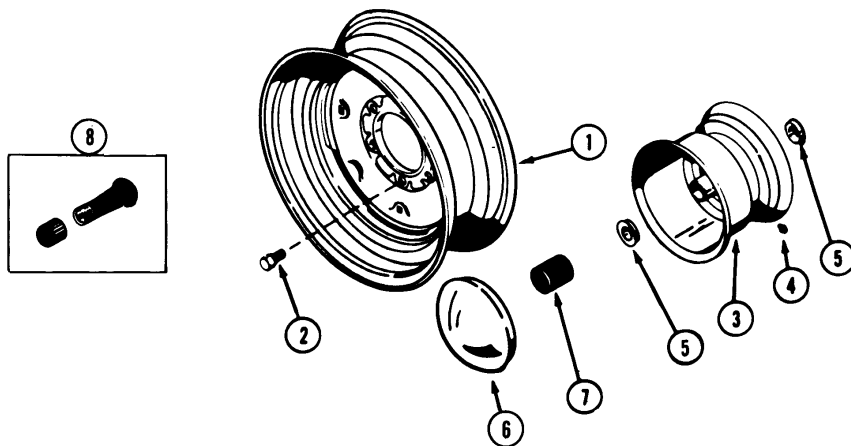
REF.	PART NO.	DESCRIPTION	REQ'D
1	C18812	AXLE - front (3118D).....	1
1	C40687	AXLE - front shown (4118D).....	1
2	C27597	WASHER - spacer.....	2
3	C33535	SPINDLE - R.H. (3118D).....	1
3	C31337	SPINDLE - L.H. (3118D).....	1
3	C40690	SPINDLE - L.H. (4118D).....	1
3	C40688	SPINDLE - R.H. (4118D) shown.....	1
4	C27902	RING - retaining, spindle (4118D).....	2
4	C28232	RING - retaining, spindle (3118D).....	2
5	C22278	PIN - retaining, axle pivot.....	1
6	C11906	WASHER - thrust (3118D).....	4
6	C13716	WASHER - thrust (4118D).....	4
7	219-404	FITTING - lubrication.....	1
8	C13106	COVER - lubrication fitting.....	3
9	132-311	PIN - cotter 5/32" x 1-1/4".....	2
10	C25855	TIE ROD (4118D).....	1
10	C25856	TIE ROD (3118D).....	1
11	C28226	WASHER - wheel spacer.....	UAR
12	187-1910	BOLT - 3/8" - 16 x 3/4" N.C. hex head.....	1
13	219-17	FITTING - lubrication.....	2
14	192-23	LOCKWASHER - 1/2" zinc.....	2
15	129-165 *	NUT - 1/2" N.F. R.H. thread, lock.....	3
16	129-365 *	NUT - 1/2" N.F. L.H. thread, lock.....	1
17	C13605 *	BALL JOINT - 1/2" L.H. thread.....	1
18	C12102 *	BALL JOINT - 1/2" R.H. thread.....	2
19	C22568	PIN - axle pivot.....	1
20	113-208	BOLT - 3/8" x 16 x 1-1/4".....	2
21	129-103	NUT - 3/8" - 16.....	2

* check thread rotation for correct part

INDEX



INDEX



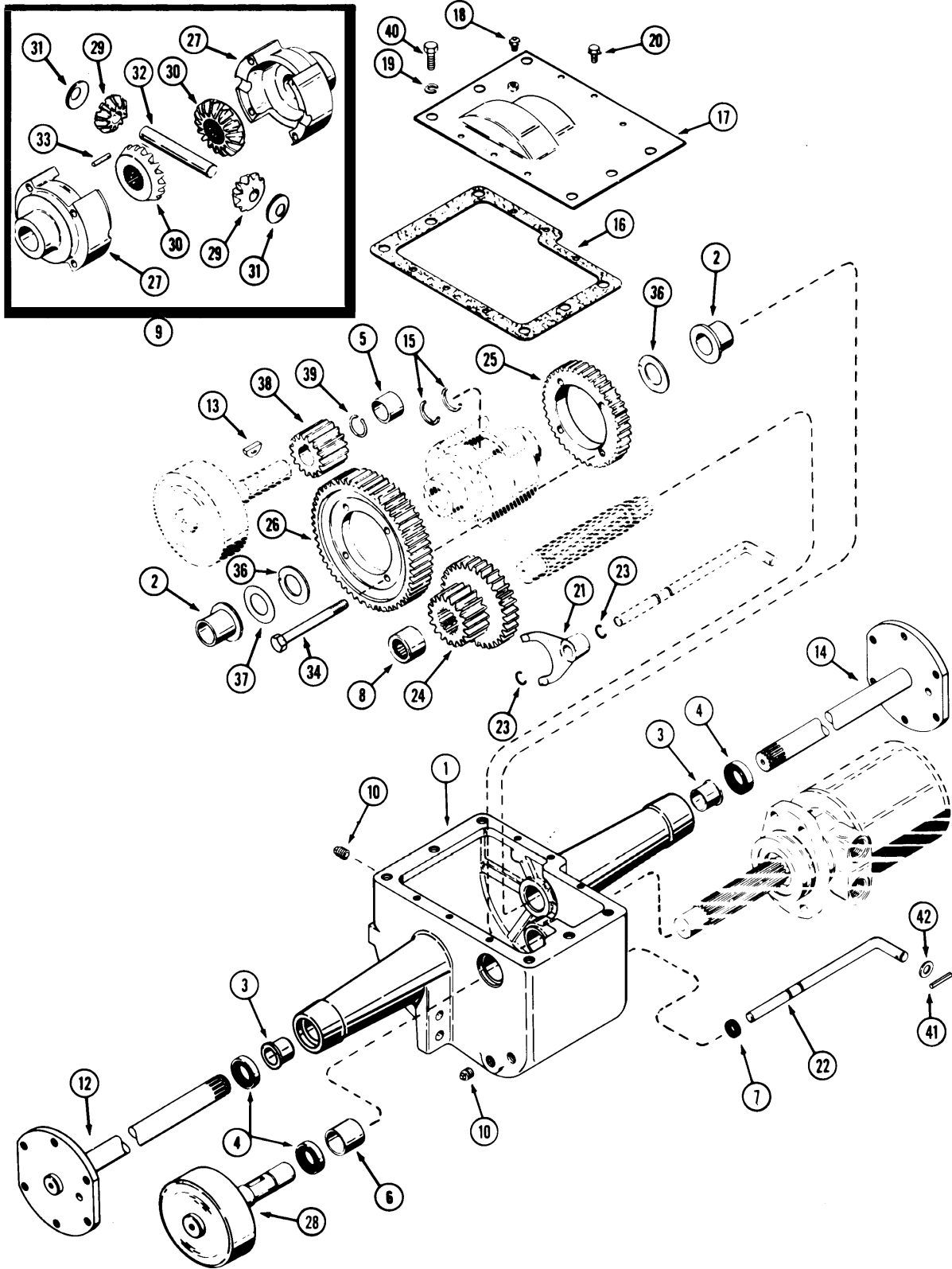
INDEX**MODEL 3118D AND 4118D COMPACT TRACTORS****BRAKE ASSEMBLY**

REF.	PART NO.	DESCRIPTION	REQ'D
1	C33942	PEDAL - brake actuating.....	1
2	C26381	ARM - brake pedal	1
3	138-2073	PIN - roll 3/16" x 1-1/4".....	1
4	C31660	SPRING - return.....	1
5	C33759	GUIDE - neutral return	1
6	C31604	ACTUATOR - parking brake	1
7	C31661	LEVER - brake lock.....	1
8	C21942	SPRING - brake lock.....	1
9	C31605	CAP - actuator.....	1
10	C33427	BAND - brake	1
11	C23910	PIN - clevis	1
12	113-2262	BOLT - 3/8" - 16 x 1-1/2" hex.....	1
13	129-143	NUT - 3/8" - 16 special.....	1
14	C23899	ARM - brake	1
1 5	C24761	ARM - brake (includes adjustment nut).....	1
16	C40646	GUIDE - brake actuator.....	1
17	195-533	WASHER - .531 "I.D	5
18	132-310	PIN - cotter 1/8" x 1".....	6
19	C28978	CLEVIS.....	1
20	141-4	PIN - clevis	1
21	132-321	PIN - cotter	1
22	C31993	ROD - brake (41180).....	1
22	C31992	ROD - brake (3118D).....	1
23	C31975	PAD - brake pedal.....	1
24	C37219	BRACKET - support.....	1
25	113-206	BOLT - 3/8" - 16 x 3/4"	4
26	192-21	LOCKWASHER - 3/8"	4
27	195-2063	WASHER.....	1

INDEX**FRONT AND REAR WHEELS**

1	C30913	WHEEL - rear, 5 bolt (31180) for 23 x 8.50 - 12 tire.....	2
1	C30917	WHEEL - rear, 6 bolt (4118D).....	2
1	C30922	WHEEL - rear, 5 bolt (31180)	2
2	C27763	BOLT - rear wheel (41180)	12
2	C10314	BOLT - rear wheel (31180)	10
3	C30912	WHEEL - front (includes bearings)	2
4	219-403	FITTING - lubrication.....	2
5	C12110	BEARING - wheel	2
6	C28965	CAP - hub, front wheel (optional).....	2
7	C26021	CAP - plastic, front	2
8	C28236	STEM - valve.....	4
	C13106	COVER - lubrication fitting	2

INDEX

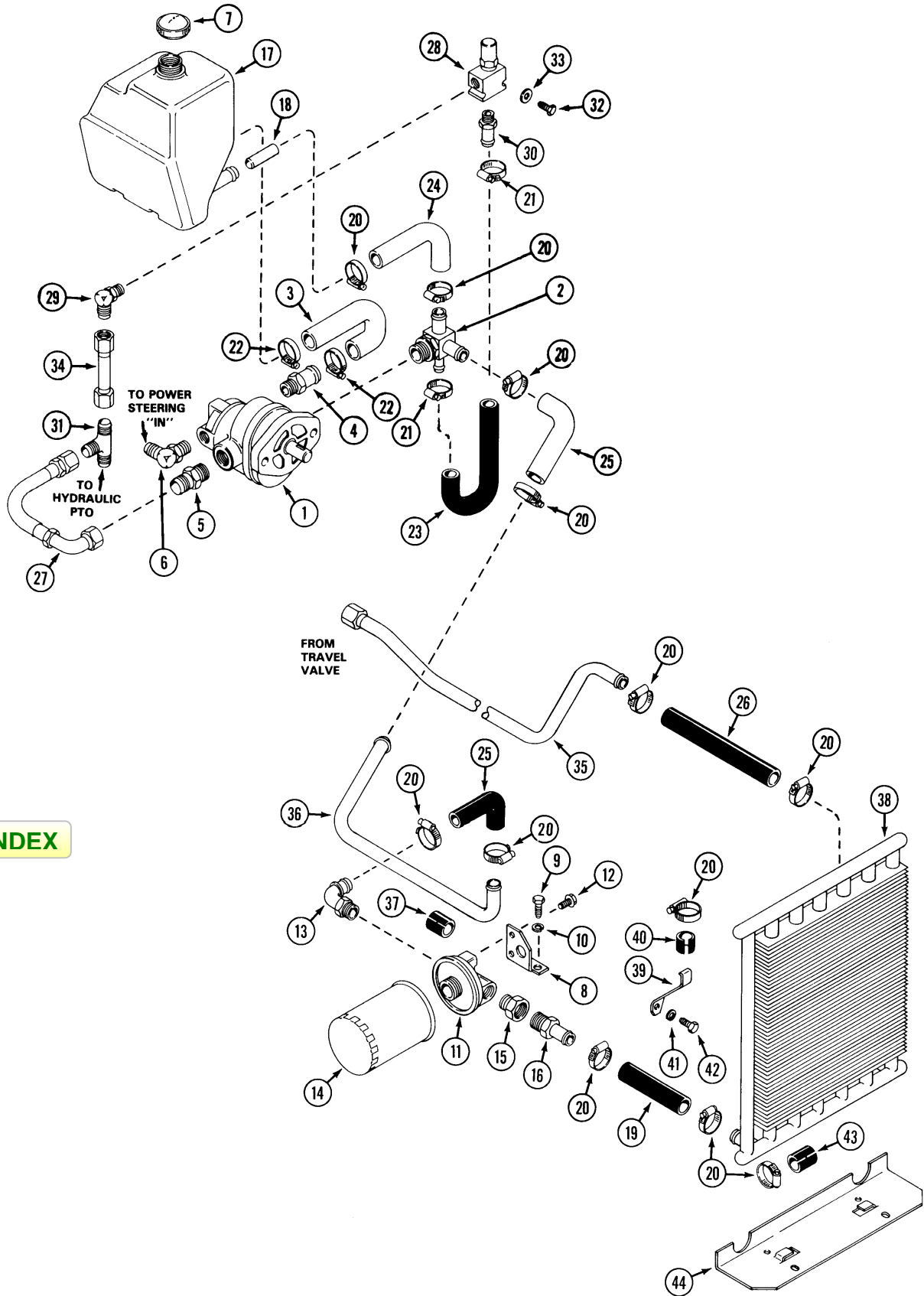


MODEL 3118D AND 4118D COMPACT TRACTORS

TRANSMISSION AND FINAL DRIVE

REF.	PART NO.	DESCRIPTION	REQ'D
	C24843	CASE ASSEMBLY - transmission (includes bearings & seals only)	1
1	NSS	CASE - transmission (order C24843)	1
2	C12713	BEARING - flange	2
3	C24804	BEARING - flange	2
4	C24803	SEAL - shaft	3
5	C13241	BEARING - sleeve	1
6	C13385	BEARING - sleeve	1
7	C1 3266	SEAL - shift rod.....	1
8	C28281	BEARING - roller	1
9	C36902	DIFFERENTIAL ASSEMBLY (also includes C36903, C30031, C12552).....	1
10	221-3	PLUG - filler and drain 3/8"	3
12	C16699	SHAFT - axle, short R.H. (3118D)	1
12	C22638	SHAFT - axle, short R.H. shown (4118D).....	1
13	126-128	KEY - Woodruff, brake idler #18, 1/4" x 1-1/8".....	1
14	C16700	SHAFT - axle, long L.H. (3118D)	1
14	C22637	SHAFT - axle, long L.H. shown (4118D).....	1
15	C26342	RING - retainer, axle	2
16	C13196	GASKET - transmission cover	1
17	C36935	COVER - transmission	1
18	C28241	BREATHER - transmission	1
19	192-23	LOCKWASHER - 1/2"	4
20	121-21	BOLT - 1/4" x 1/2" N.C. hex lock.....	6
21	C12725	FORK - shift	1
22	C37222	ROD - gear shift	1
23	C14168	RING - retaining	2
24	C36901	GEAR - cluster input	1
25	C36903	GEAR - high 41 tooth.....	1
26	C12552	GEAR - low 55 tooth	1
27	NSS	DIFFERENTIAL CASE.....	1
28	C33305	BRAKE DRUM	1
29	NSS	GEAR - differential pinion.....	2
30	NSS	GEAR - differential	2
31	NSS	WASHER - pinion thrust.....	2
32	NSS	PIN - differential	1
33	NSS	PIN - differential pin lock	1
34	C30031	KIT - screw (set of four).....	1
36	C12718	WASHER - differential.....	2
37	C14223	WASHER - spacer	UAR
38	C25254	GEAR - brake idler	1
39	C14222	RING - retainer, brake idler.....	1
40	113-424	BOLT - 1/2" - 13 x 1" hex	UAR
40	166-86	BOLT - 1/2" - 13 x 1-1/4" 12 Pt. flange.....	UAR
41	138-2073	PIN - spiral 3/16" x 1-1/4"	1

INDEX



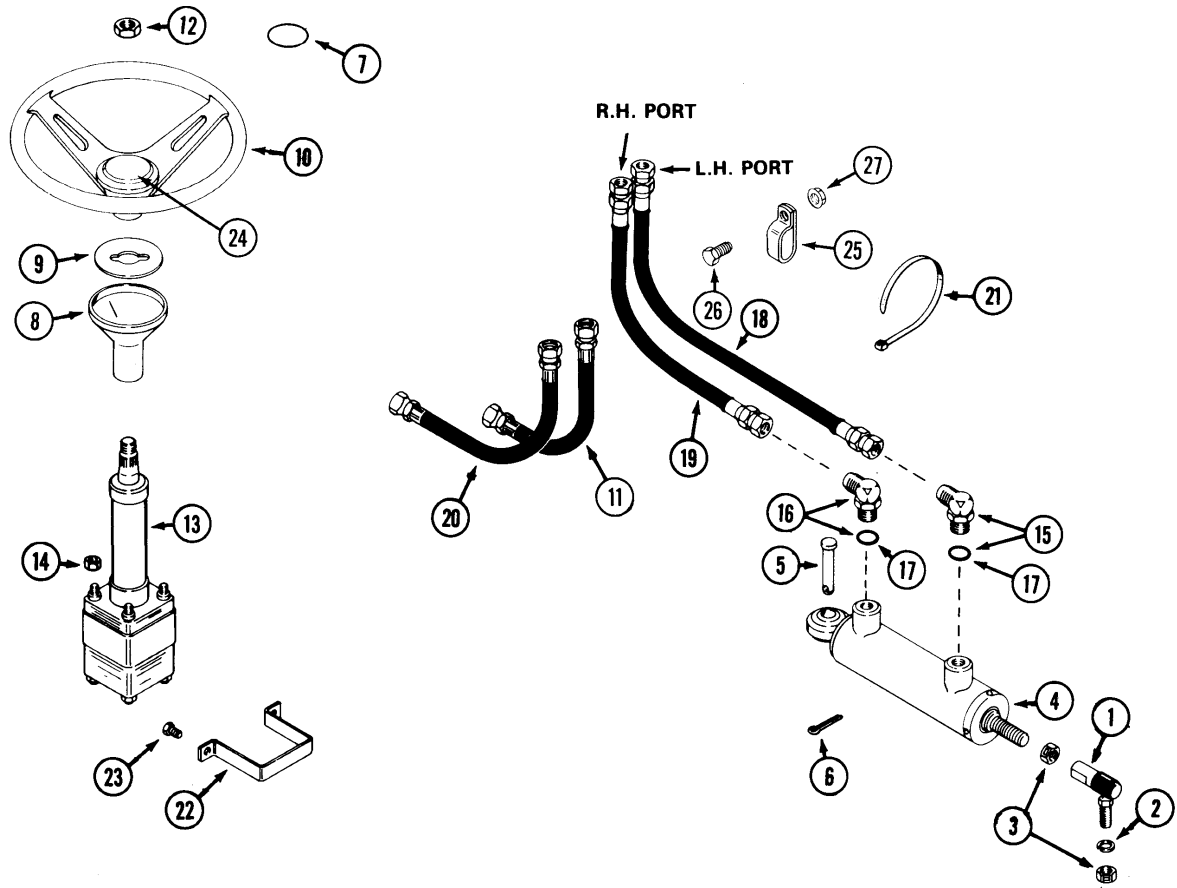
INDEX

MODEL 3118D AND 4118D COMPACT TRACTORS

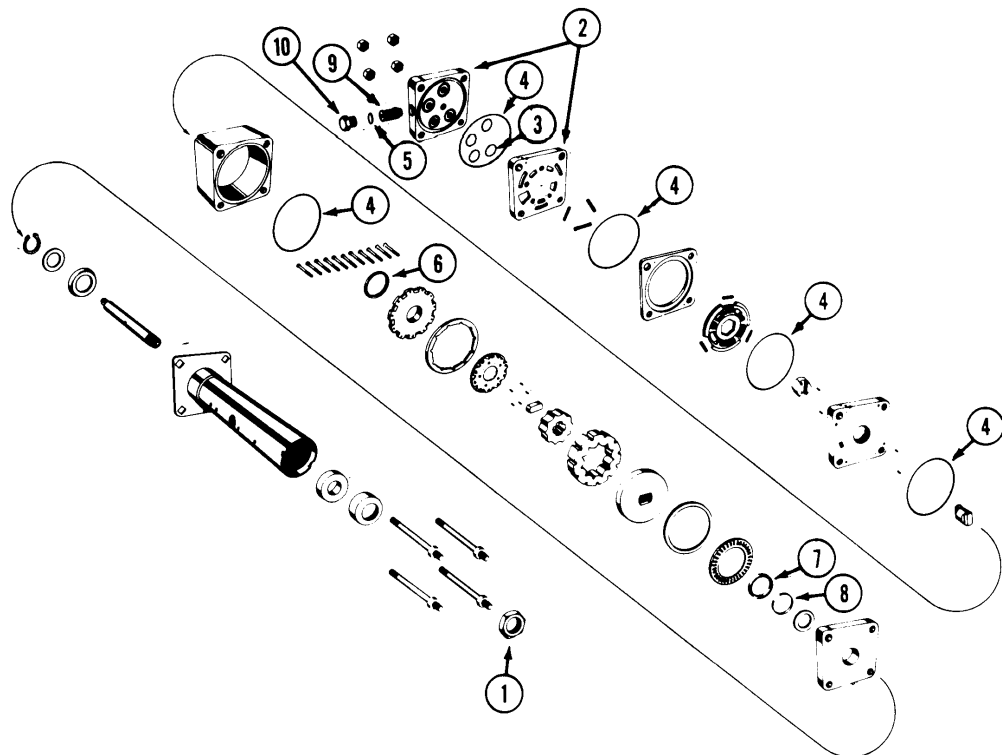
HYDRAULIC SYSTEM
OIL PUMP, RESERVOIR, FILTER AND HEAT EXCHANGER

REF.	PART NO.	DESCRIPTION	REQ'D
1	C42854	PUMP - hydraulic (repairs and mounting components page 59)	1
2	C36908	FITTING - return tee 1/2" x 3/4" 1-5/16"	1
3	C33423	HOSE - pump inlet	1
4	217-391	FITTING - 1" hose x 7/8" - 14	1
5	218-5062	FITTING - 7/8" - 14 flare x 7/8" - 14 (includes 218-5007 "O" ring)	1
6	218-5128	FITTING - 90° 9/16" - 18 flare x 3/4" - 16 (to power steering "in")	1
7	C37093	CAP - oil reservoir (shown)	1
7	C44342	CAP - oil reservoir with dipstick	1
8	C43103	BRACKET - oil filter	1
9	113-118	BOLT - 5/16" - 18 x 5/8"	2
10	192-20	LOCKWASHER - 5/16"	2
11	C43026	HEAD - oil filter	1
12	121-21	BOLT - 1/4" - 20 x 1/2" flange lock	2
13	217-333	FITTING - 90° 3/8" x 3/4" hose	1
14	C33445	FILTER - oil	1
15	217-1008	FITTING - increaser	1
16	217-160	FITTING - hose connector	1
17	C37228	RESERVOIR	1
18	C33167	SLEEVE - inlet (shown)	1
18	C42540	SLEEVE - outlet	1
19	C43344	HOSE - 3/4" x 5"	2
20	214-254	CLAMP - hose 1-1/4"	14
21	C41045	CLAMP - hose SAE #6	2
22	214-14	CLAMP - hose 1-3/8"	2
23	C43345	HOSE - 1/2" x 13"	1
24	C37230	HOSE - 90°	1
25	C43067	HOSE - 90°	1
26	C44286	HOSE - 3/4" x 9"	2
27	C37232	HOSE - supply	1
28	C36909	VALVE - relief	1
29	218-5117	FITTING - 90° 7/8" - 14 flare x 3/4" - 16 (includes 218-5006 "O" ring)	1
30	217-182	FITTING - hose	1
31	218-595	FITTING - tee 7/8" - 14 flare	1
32	113-132	BOLT - 1/4" - 20 x 1-3/4"	2
33	195-518	WASHER - 1/4"	2
34	C37239	TUBE - relief valve to tee	1
35	C42963	TUBE - travel valve "out" to heat exchanger	1
36	C43070	TUBE - oil filter "out" to return	1
37	C43108	HOSE - cushion	4
38	C43072	EXCHANGER - heat	1
39	C43106	BRACE - oil cooler R.H. (shown)	1
39	C43105	BRACE - oil cooler L.H.	1
40	C43107	HOSE - cushion 3/4" x 1"	2
41	192-19	LOCKWASHER - 1/4"	2
42	113-1	BOLT - 1/4" - 20 x 1/2"	2
43	C43076	HOSE - cushion 7/8" x 2-1/2"	2
44	C43078	MOUNT - heat exchanger	1

INDEX



INDEX



MODEL 3118D, 4118D COMPACT TRACTORS

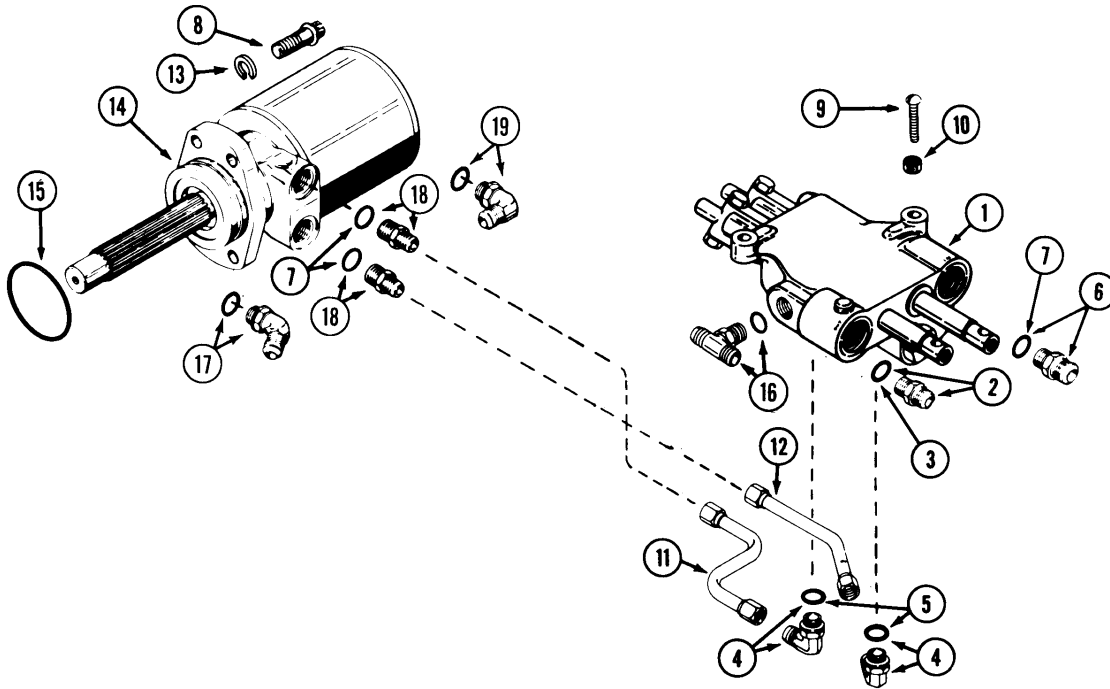
HYDRAULIC SYSTEM
POWER STEERING

REF.	PART NO.	DESCRIPTION	REQ'D
1	C12102	BALL JOINT - 1/2" R.H. thread	1
2	192-23	LOCKWASHER - 1/2"	1
3	129-165	NUT - 1/2" N.F. lock	2
4	C33539	CYLINDER - hydraulic	1
5	C14717	PIN - clevis 5/8" dia.	1
6	132-91	PIN - cotter 3/16" x 1"	1
7	C37197	DECAL - steering wheel	1
8	C39504	BOOT - steering column	1
9	C39507	INSERT - boot	2
10	C37302	WHEEL - steering (includes cap)	1
11	C33762	HOSE - steering pump (in) to small pump section (out)	1
12	129-127	NUT - 5/8" - 18	1
13	C33743	PUMP - steering (repairs below)	1
14	129-162	NUT - 5/16" - 24	3
15	218-5105	FITTING - 90° adjustable elbow 3/8" x 9/16" - 18	1
16	218-5135	FITTING - 45° adjustable elbow 3/8" x 9/16" - 18	1
17	218-5005	"O" RING	1
18	C32399	HOSE - hydraulic 25" (3118D)	1
18	C27996	HOSE - hydraulic 27" (4118D)	1
19	C33560	HOSE - hydraulic 23" (4118D)	1
19	C33750	HOSE - hydraulic 21" (3118D)	1
20	C28275	HOSE - hydraulic 16" steering pump "out" to travel valve	1
21	C22947	TIE - nylon	1
22	C33545	STRAP - mounting	1
23	121-21	BOLT - 1/4" -20 x 1/2"	2
24	C42591	CAP - steering wheel (use C42592 screw)	1
25	C32213	CLAMP - double	1
26	113-118	BOLT - 5/16" - 18 x 5/8"	1
27	131-911	NUT - 5/16" - 18 flange lock	1

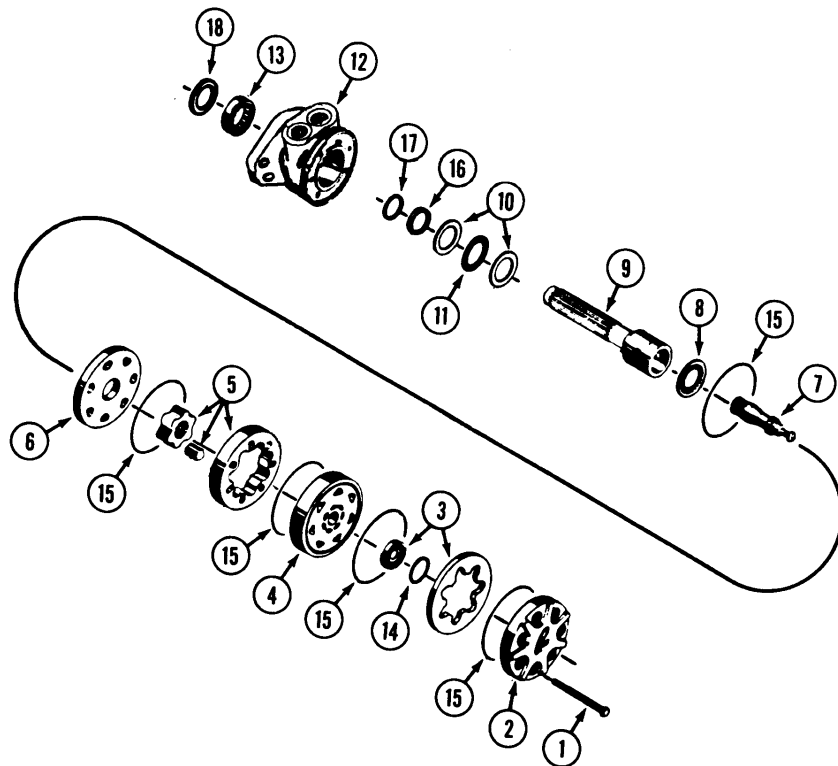
POWER STEERING PUMP

	C33743	PUMP - steering, manual	1
1	129-127	NUT - 5/8" - 18	1
2	C34485	KIT - cover and manifold	1
	C30281	KIT - seal	1
3	NSS	"O"RING	4
4	NSS	RING - seal	5
5	NSS	"O" RING	1
6	NSS	SEAL - commutator	1
7	NSS	SEAL - face	1
8	NSS	RING - back-up	1
9	C34484	VALVE - relief	1
10	C34483	PLUG - relief valve	1

INDEX



INDEX



INDEX

MODEL 3118D, 4118D COMPACT TRACTORS

**HYDRAULIC SYSTEM
HYDRAULIC VALVE AND MOTOR**

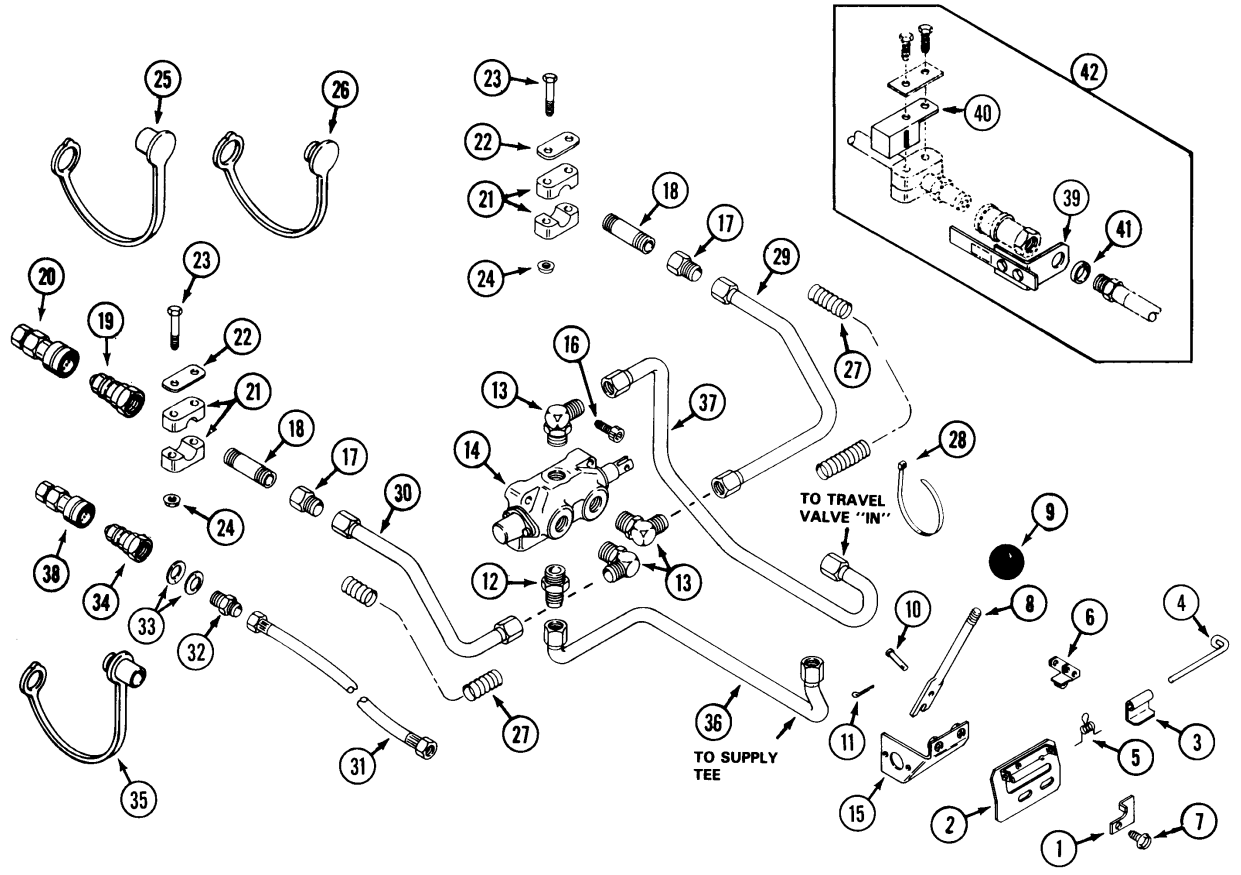
REF.	PART NO.	DESCRIPTION	REQ'D
1	C36897	VALVE - control (repairs page 61)	1
2	218-5065	FITTING - 3/4" x 7/8" "O" ring.....	1
3	218-5007	"O" RING	1
4	218-5107	FITTING - 90° elbow	2
5	218-5007	"O" RING	1
6	218-5062	FITTING - 5/8" x 7/8" "O" RING	1
7	218-5007	"O" RING	1
8	166-86	SCREW - 1/2" - 13 x 1-1/4"	4
9	C27764	SCREW - 5/16" - 18 x 1-1/4"	2
10	131-351	NUT - lock 5/16"	2
11	C37220	TUBE - valve to upper motor port (3118D)	1
11	C37309	TUBE - valve to upper motor port (4118D) shown.....	1
12	C37221	TUBE - valve to lower motor port (3118D).....	1
12	C37310	TUBE - valve to lower motor port (4118D) shown	1
13	192-23	LOCKWASHER - 1/2"	4
14	C30939	MOTOR - hydraulic (3118D) repairs below.....	1
14	C33234	MOTOR - hydraulic (4118D) repairs below.....	1
15	C28949	SEAL - motor to transmission	1
16	C33559	FITTING - tee 3/8" tube x 1/2" - 20	1
17	218-5137	FITTING - 45° 7/8" - 14 (3118D)	1
18	218-5062	FITTING - 7/8" - 14 (4118D).....	2
19	218-5107	FITTING - 90° male 7/8" - 14 (311D)	1

INDEX

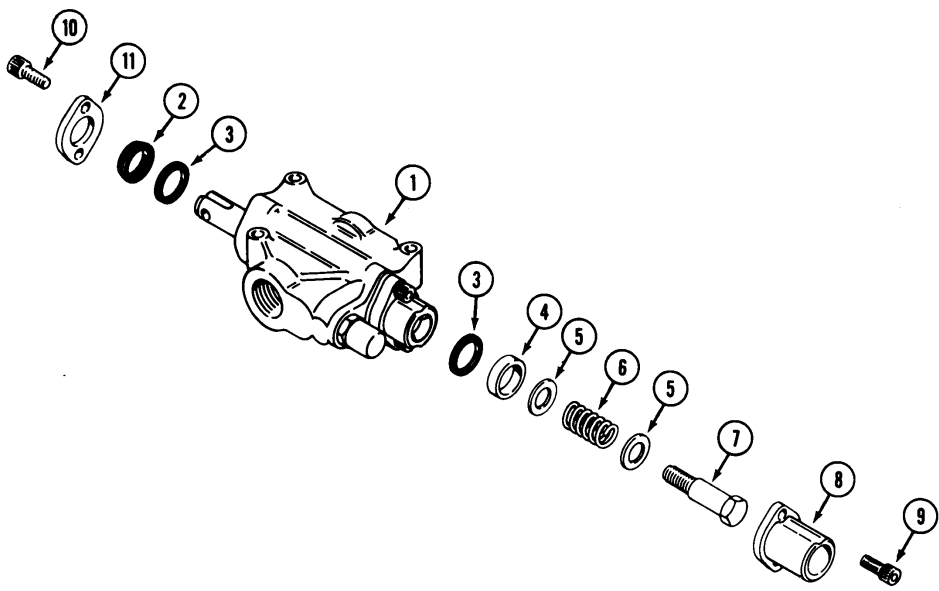
HYDRAULIC DRIVE MOTOR

REF.	PART NO.	DESCRIPTION	REQ'D
	C33234	MOTOR - hydraulic (4118D)	1
	C30939	MOTOR - hydraulic (3118D)	1
1	28-668	BOLT - 3/8" - 24 x 4-1/4" (3118D).....	7
1	C31327	BOLT - 3/8" - 24 x 4-5/8" (4118D).....	1
2	C31309	COVER - end	1
3	C31310	COMMUTATOR AND RING SET	1
4	C31311	MANIFOLD.....	1
5	C31312	ROTOR ASSEMBLY (3118D).....	1
5	C31313	ROTOR ASSEMBLY (4118D).....	1
6	C31314	PLATE - wear	1
7	C31315	LINK - drive (3118D)	1
7	C31316	LINK - drive (4118D)	1
8	C31317	BEARING - thrust.....	1
9	C31318	SHAFT - coupling.....	7
10	C31319	WASHER - thrust	2
11	C31320	BEARING - thrust.....	1
12	C31321	HOUSING - drive end	1
13	C31322	BEARING - outer	1
	C31323	KIT - seal	1
14	NSS	SEAL - commutator ring.....	1
15	NSS	SEAL - ring.....	5
16	NSS	SEAL - ring.....	1
17	NSS	WASHER - back-up	1
18	NSS	SEAL - dirt (not used)	1

INDEX



INDEX



INDEX

MODEL 3118D, 4118D COMPACT TRACTORS

**HYDRAULIC SYSTEM
PTO (POWER TAKE OFF)**

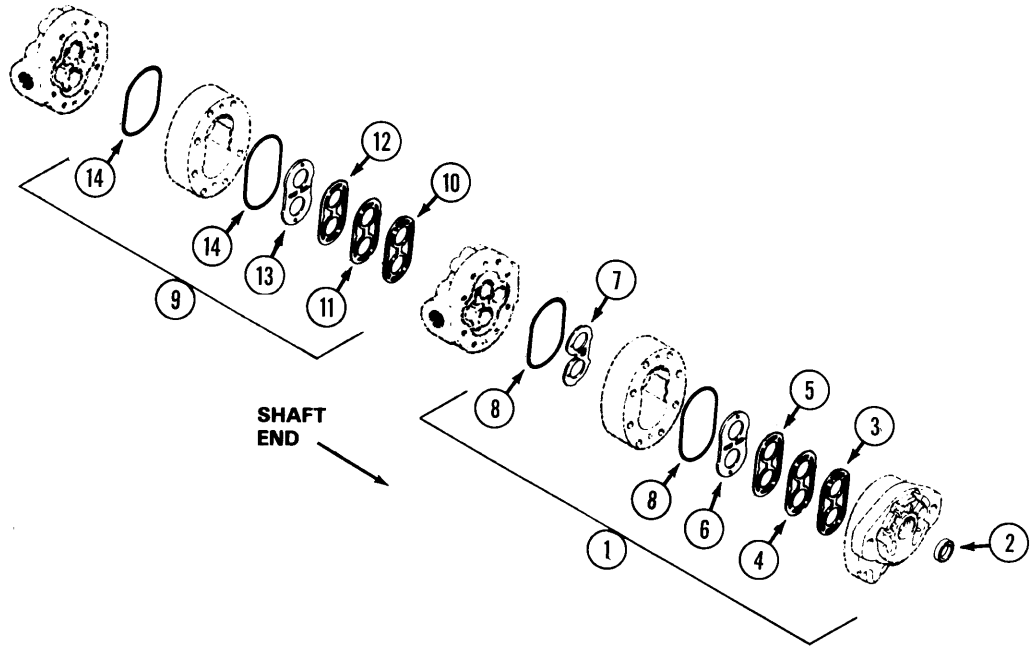
REF.	PART NO.	DESCRIPTION	REQ'D
1	C42198	LATCH - reverse lockout	1
2	C42078	GATE - shift	1
3	C42081	STOP - lever	2
4	C42082	PIN - hinge	1
5	C42083	SPRING - torsion	1
6	C37400	ACTUATOR - switch	1
7	C29620	SCREW - 5/16" - 18 x 3/4"	2
8	C37406	LEVER - PTO	1
9	C10487	KNOB	1
10	C28964	PIN - clevis 3/16" x 1"	2
11	132-329	PIN - cotter 1/16" x 3/4"	2
12	218-5062	FITTING - 7/8" (includes 218-5007 "O" ring)	1
13	218-5107	FITTING - 90° 7/8" (includes 218-5007 "O" ring)	3
14	C36910	VALVE - PTO	1
15	C37401	BRACKET - actuating	1
16	61-420	SCREW - 1/4" - 20 x 1-1/4" socket head	2
17	218-465	FITTING - 1/2" x 7/8" - 14	2
18	C37142	NIPPLE - pipe	2
19	C37187	COUPLING - quick, male 7/8"	2
20	C37188	COUPLING - quick, female 7/8"	1
21	C37144	CLAMP	4
22	C37145	COVER - clamp	2
23	113-14	BOLT - 1/4" -20 x 2"	4
24	131-934	NUT - 1/4" - 20 flange lock	4
25	C40641	CAP - dust	1
26	C40642	PLUG - dust	1
27	C37454	CONDUIT - corrugated (cut to length)	2
28	C22947	TIE - nylon	4
29	C37233	TUBE - L.H.	1
30	C37234	TUBE - R.H.	1
31	C33750	HOSE - hydraulic 21" (3118D)	1
31	C32399	HOSE - hydraulic 25" (4118D)	1
32	218-443	FITTING - 3/8" x 9/16" - 18	1
33	C37249	WASHER - spring	2
34	C41043	COUPLING - quick, male 9/16"	1
35	C33404	CAP - dust	1
36	C37235	TUBE - supply tee to P.T.O. "in" (3118D)	1
36	C37236	TUBE - supply tee to P.T.O. "in" (4118D)	1
37	C37237	TUBE - travel valve to P.T.O. "out" (3118D)	1
37	C37238	TUBE - travel valve to P.T.O. "out" (4118D)	1
38	C41044	COUPLING - quick, female 9/16"	1
39	C37439	KEY - coupler switch	1
	C37440	DECAL	1
	113-1	BOLT - 1/4" -20	2
	195-518	WASHER - 1/4"	2
40	C37437	BRACKET - switch mounting	1
41	C37459	CUSHION - key	1
42	C42048	KIT - coupler switch	1

INDEX

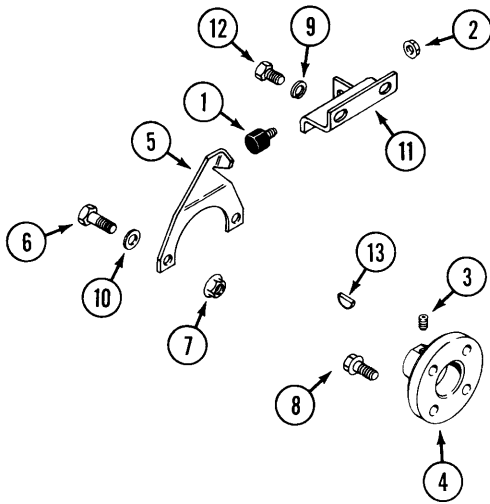
PTO VALVE

1	C36910	VALVE - PTO	1
2	C26706	WIPER - spool	1
3	C26707	RING - seal	2
4	C26722	SPACER	1
5	195-526	WASHER	2
6	C26724	SPRING - return	1
7	C26725	BOLT	1
8	C26726	CAP - spring	1
9	165-143	SCREW - 1/4" - 20 x 3/4"	2
10	165-142	SCREW - 1/4" - 20 x 5/8"	2
11	C26727	RETAINER - seal	1

INDEX



INDEX



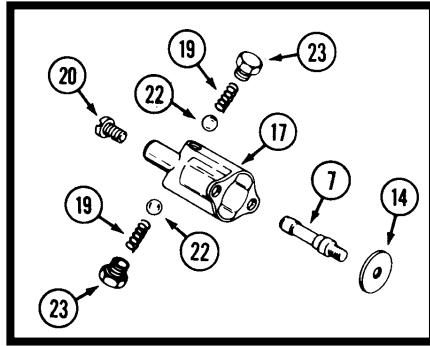
INDEX**MODEL 3118D, 4118D COMPACT TRACTORS****HYDRAULIC PUMP**

REF.	PART NO.	DESCRIPTION	REQ'D
	C42854	PUMP - hydraulic	1
1	C32955	KIT - seal (main pump section)	1
2	C33110	SEAL-shaft.....	1
3	NSS	SEAL - "V" ("V" side towards cover)	1
4	NSS	GASKET	1
5	NSS	SHIELD - heat.....	1
6	NSS	PLATE - wear (bronze side towards gears).....	1
7	NSS	PLATE - thrust (bronze side towards gears)	1
8	C33111	"O" RING.....	2
9	C32956	KIT - seal (secondary pump section)	1
10	NSS	SEAL - "V" ("V" side towards body)	1
11	NSS	GASKET	1
12	NSS	SHIELD - heat.....	1
13	NSS	PLATE - wear (bronze side towards gears).....	1
14	C15732	"O" RING.....	2
	NSS	SEAL - shaft (not used)	1

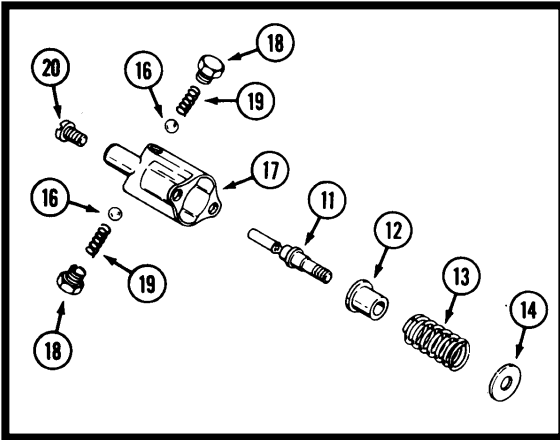
INDEX**PUMP MOUNTING COMPONENTS**

1	C32437	MOUNT - rubber (bumper).....	1
2	131-911	NUT - 5/16" - 18 flange lock.....	2
3	83-55	SCREW - Set 5/16" - 18 x 5/16" socket (use loctite)	2
4	C42837	HUB - pump drive.....	1
5	C44002	PLATE - pump torque arm	1
6	113-208	BOLT - 3/8" - 16 x 1-1/4" hex	2
7	131-1352	NUT - 3/8" - 16 flange lock.....	2
8	C42828	BOLT M10 - 1.25 x 34 flange	4
9	192-20	LOCKWASHER - 5/16"	2
10	195-103	WASHER - 3/8"	2
11	C44066	BRACKET - torque arm stop.....	1
12	814-8016	BOLT - MB - 1.25 x 16	2
13	126-13	KEY - 3/16" x 5/8" pump shaft.....	1

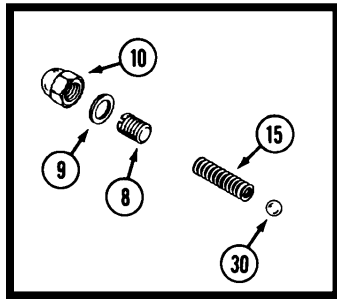
INDEX



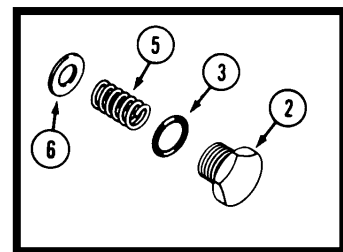
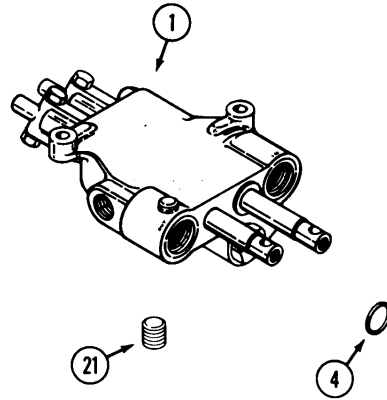
TRAVEL SECTION DETENT GROUP



LIFT SECTION DETENT GROUP



LIFT SECTION RELIEF GROUP



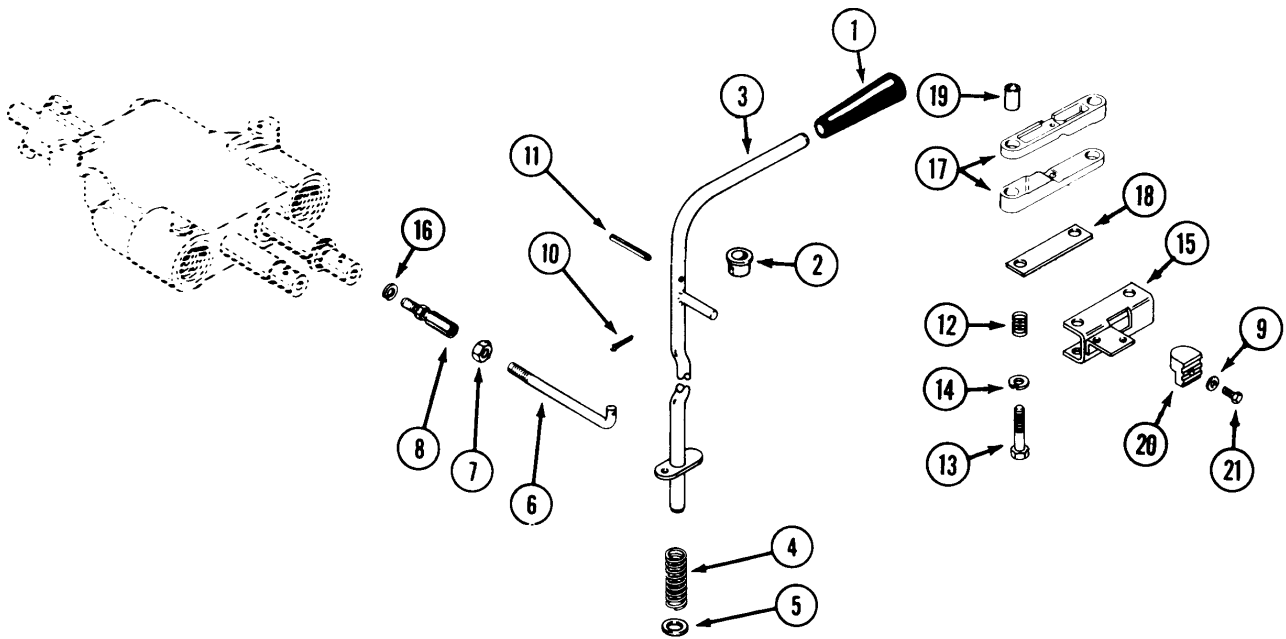
HOLDING SECTION GROUP

MODEL 3118D, 4118D COMPACT TRACTORS

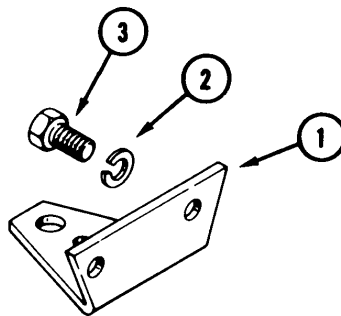
HYDRAULIC CONTROL VALVE

REF.	PART NO.	DESCRIPTION	REQ'D
1	C36897	VALVE - control, two spool	1
2	C29956	CAP - end.....	2
3	C28217	“O” RING - end cap.....	1
4	C28856	SEAL - spool	4
5	C29951	SPRING - centering	2
6	C29950	WASHER - spring retaining	2
7	C29958	DETENT - spool.....	1
8	C17433	SCREW - relief adjust	1
9	C17435	GASKET - relief adjust cap	1
10	129-531	CAP - adjust screw	2
11	C26668	DETENT - spool.....	1
12	C28707	SPACER - detent.....	1
13	C28706	SPRING - detent return.....	1
14	C28705	WASHER - return.....	2
15	NSS	SPRING - relief (use C21511 relief kit).....	1
16	211-5	BALL - steel 3/16” (4.76 mm).....	2
17	C17438	COVER - detent	1
18	C28708	SCREW - detent.....	2
19	C17444	SPRING - detent	4
20	169-114	SCREW - cover.....	4
21	221-841	PLUG - pipe	1
22	211-7	BALL - steel 1/4” (6.35 mm).....	2
23	C17443	SCREW - detent.....	2
	C30002	KIT - seal.....	1

INDEX



INDEX



INDEX**MODEL 3118D, 4118D COMPACT TRACTORS****SPEED CONTROL**

REF.	PART NO.	DESCRIPTION	REQ'D
1	C28237	KNOB - speed control	1
2	C29636	BUSHING - lever	1
3	C37250	LEVER - speed control.....	1
4	C10482	SPRING - compression.....	1
5	C21518	WASHER - nylon.....	1
6	C31670	ROD - control	1
7	129-122	NUT - 5/16" N.F. zinc plated	1
8	C19025	JOINT - ball	1
9	195-513	WASHER .219" I.D. x .50" O.D	1
10	132-320	PIN - cotter 3/32" x 3/4"	1
11	138-2072	PIN - roll 1/8" x 1-3/4".....	1
12	C30827	SPRING - locator	2
13	113-14	BOLT - 1/4" 20 x 2"	2
14	192-19	LOCKWASHER - 1/4"	2
15	C37255	CARRIER - locator	1
16	192-20	LOCKWASHER - 5/16"	1
17	C32362	LOCATOR - half.....	2
18	C37254	SUPPORT - locator.....	1
19	C29653	SPACER - tube	2
20	C37198	CAM - switch	1
21	187-1328	SCREW - #8 - 18 x 3/8"	1

INDEX**DRAWBAR AND TOW HITCH**

1	C13360	DRAWBAR.....	1
2	192-23	LOCKWASHER - 1/2"	2
3	113-424	BOLT - 1/2" x 1" N.C. hex	2

MODEL 3118D, 4118D COMPACT TRACTOR

HYDRAULIC LIFT

REF.	PART NO.	DESCRIPTION	REQ'D
1	C32259	SHAFT ASSEMBLY - lift	1
2	219-17	FITTING - lubrication.....	1
3	C29693	PIN - cylinder to lever, clevis.....	1
4	132-310	PIN - cotter 1/8" x 1".....	5
5	NSS *	HOSE - long (shown) (use C44743 and 218-5134).....	1
5	C44743 **	HOSE - long.....	1
6	C17249	BRACKET - mounting, top.....	2
7	C17250	BRACKET - mounting, bottom.....	2
8	192-20	LOCKWASHER - 5/16".....	1
9	C42965	BRACKET - cylinder.....	1
10	C33956	LEVER - lift control.....	1
11	C28237	KNOB - control lever.....	1
12	C29636	BUSHING - lift lever.....	1
13	132-320	PIN - cotter 3/32" x 3/4".....	1
14	195-533	WASHER - 1/2".....	1
15	C21518	WASHER - nylon.....	1
16	C31681	SPRING - control lever.....	1
17	195-521	WASHER - 5/16".....	1
18	C31670	ROD - control.....	1
19	129-122	NUT - 5/16" N.F. hex.....	1
20	C19025	BALL JOINT.....	1
21	113-208	BOLT - 3/8" x 1-1/4" N.C. hex.....	4
22	131-938	NUT - lock 3/8" N.C. hex.....	8
23	113-208	BOLT - 3/8" - 16 x 1-1/4".....	4
25	C26188	PIN - cylinder base.....	1
26	218-1093	FITTING - hydraulic 45° elbow.....	1
27	218-5056 *	FITTING - valve (includes 218-5004 "O" ring).....	2
28	NSS *	HOSE - short (shown) (use C44742 and 218-5134).....	1
28	C44742 **	HOSE-short.....	1
29	C27590	CYLINDER - lift.....	1
	C30054	KIT - seal.....	1
30	C13106	COVER - lubrication fitting.....	1
31	218-5134 **	FITTING - 45° swivel elbow.....	2

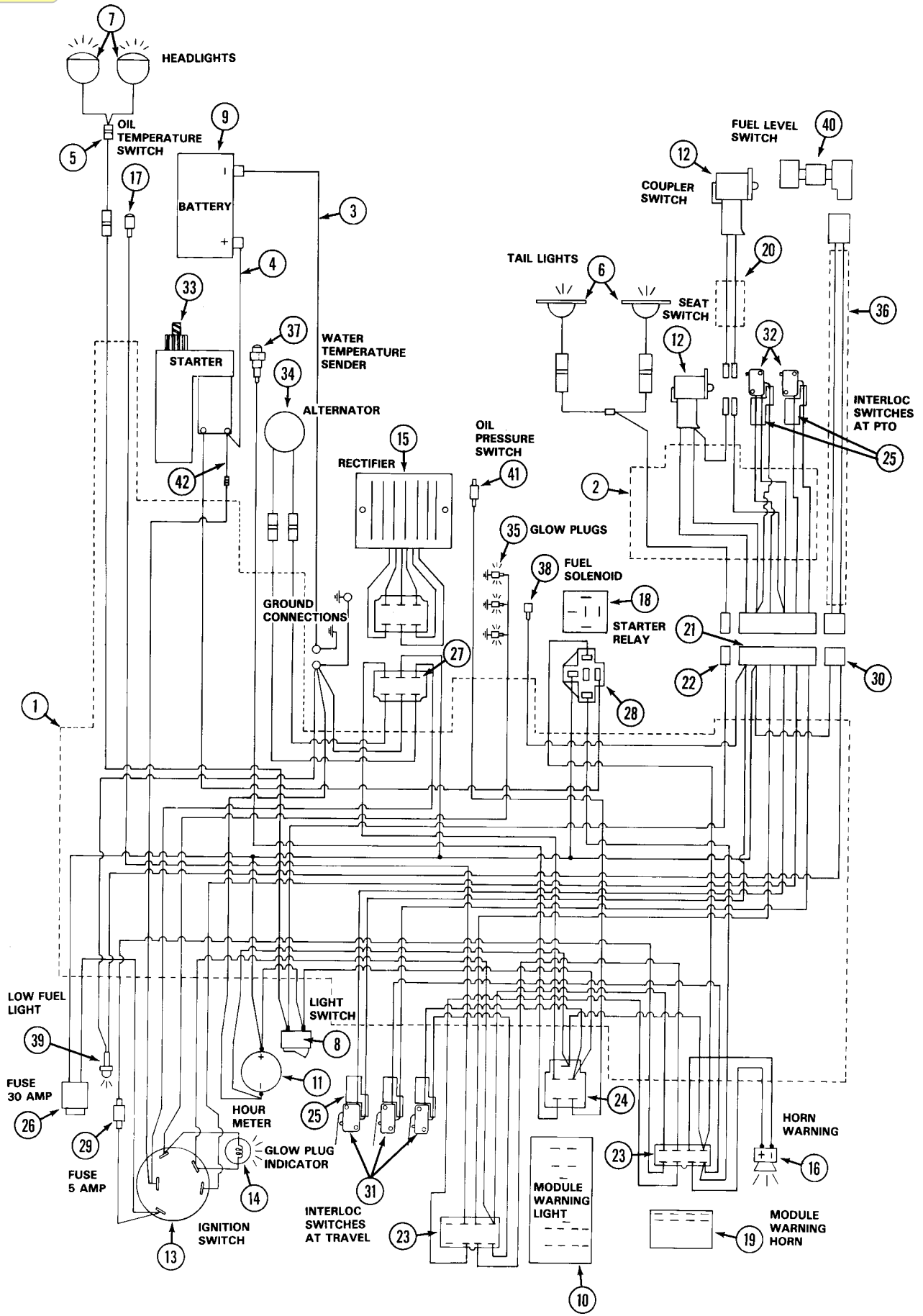
* Use before PIN:

** Use PIN and after:

3118D - 14178787

4118D - 14179352

INDEX

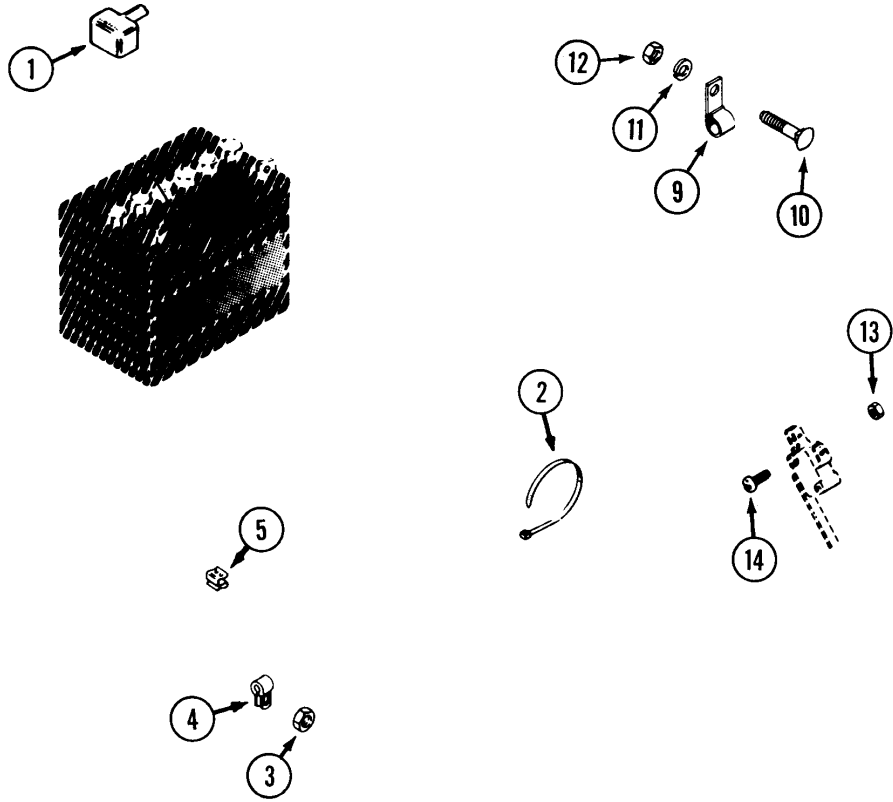


MODEL 3118D AND 4118D COMPACT TRACTORS

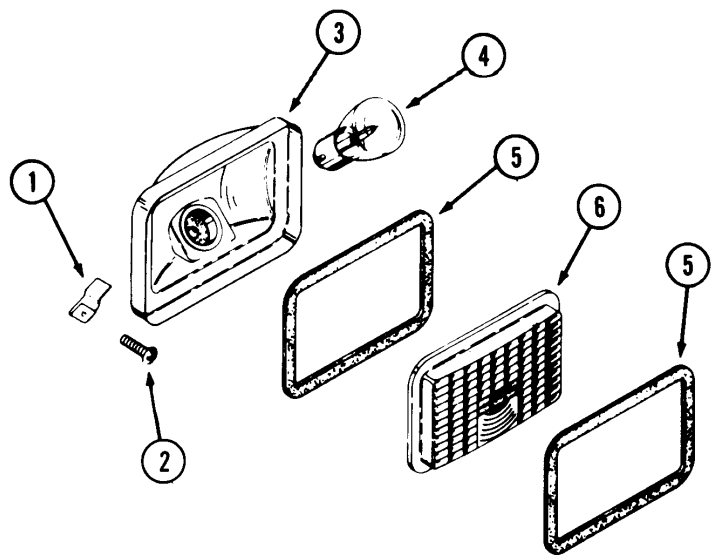
ELECTRICAL SYSTEM

REF.	PART NO.	DESCRIPTION	REQ'D
1	C43037	HARNESS - wire, main	1
2	C37269	HARNESS - wire, seat switch, PTO and tail lights	1
3	C43042	CABLE - battery (-) negative terminal	1
4	C43043	CABLE - battery (+) positive terminal.....	1
5	C14537	CONNECTOR - electrical.....	1
6	C37165	TAIL LIGHT - 12 volt	2
	193-1000	NUT - #10 - 32 (tail light retaining)	2
7	C32178	HEAD LIGHT - 12 v (repairs page 69)	2
8	C43044	SWITCH - light	1
9	C44071	BATTERY - 12 volt, 450 CCA	1
10	C43047	MODULE - warning light	1
	182-571	SCREW - #6 - 32 x 1/2" (module retaining)	4
11	C42929	HOURMETER	1
12	C37298	SWITCH - interlock, seat and coupler (black).....	1
13	C42829	SWITCH - ignition	1
13	C42855	KEY - ignition	2
14	C42830	INDICATOR - glow plug	3
15	C42831	REGULATOR - voltage	1
	113-17	BOLT - 1/4" - 20 x 1-1/4" (regulator retaining)	2
	192-19	LOCK WASHER - 1/4" (regulator retaining).....	2
16	C43048	HORN - warning.....	1
17	C43049	SWITCH - temperature, hydraulic oil	1
18	C37515	RELAY - starter	1
	187-1036	SCREW - 1/4" - 20 x 1/2" (relay retaining)	1
19	C43190	MODULE - warning horn.....	1
	182-571	SCREW - #6 - 32 x 1/2" (warning module retaining)	2
	193-1003	NUT - #6 x 32 (warning module retaining)	1
20	C42048	KIT - coupler switch (includes switch, brackets, key and wire harness) see page 57	1
20	C37436	HARNESS - coupler switch kit.....	1
21	C42117	CONNECTOR - 6 terminal	1
22	C42118	CONNECTOR - 1 terminal	1
23	C43038	CONNECTOR - 8 terminal	2
24	C24460	CONNECTOR - 5 terminal	1
25	C30279	CONNECTOR - interloc switch	5
26	C31947	KIT - fuse holder.....	1
26	C30260	FUSE - 30 amp	1
27	C43040	CONNECTOR - 6 terminal	1
28	C43041	CONNECTOR - 5 terminal	1
29	C44146	HOLDER - fuse (if equipped)	1
29	C44147	SPRING - fuse (if equipped)	1
29	C44148	CAP - fuse (if equipped).....	1
29	C44149	FUSE - 5 amp (if equipped)	1
30	C44194	CONNECTOR - 2 terminal	1
31	C30275	SWITCH - interloc (at travel lever)	3
32	C37399	SWITCH - interloc (at PTO)	2
33	C43609	STARTER - repairs page 33	1
34	C43610	ALTERNATOR - repairs page 35	1
35	C43603	HEATER - glow plug	3
36	C44022	HARNESS - fuel level switch (if equipped)	1
37	C43602	SENDER - temperature, water.....	1
38	P185206082	SOLENOID - fuel shut off.....	1
39	N/A	LIGHT - low fuel (if equipped)	1
40	N/A	SWITCH - fuel level (if equipped)	1
41	C43601	SWITCH - oil pressure	1
42	C44594	LINK - fusible.....	1

INDEX



INDEX



INDEX**MODEL 3118D AND 4118D COMPACT TRACTORS****ELECTRICAL SYSTEM HARDWARE***(Also see electrical system)*

REF.	PART NO.	DESCRIPTION	REQ'D
1	C43046	COVER - terminal, battery positive	1
2	C22947	TIE - plastic	UAR
3	193-1000	NUT - #10 - 32 tail light	4
4	C42358	CLIP - tail light wire	2
5	C19521	CLIP - wire.....	3
6	C44004	RETAINER - battery.....	1
7	113-17	BOLT - 1/4" -20 x 1-1/4"	1
8	195-518	WASHER - 1/4"	1
9	C44078	CLIP - "J"	1
9	C32455	CLIP - wire.....	1
10	111-108	BOLT - 1/4" -20 x 3/4" carriage	1
11	192-19	LOCKWASHER - 1/4"	1
12	129-101	NUT - 1/4" - 20	1
13	C33697	NUT - #4 - 40	4
14	C37199	SCREW - #4 - 40 x 1-1/2"	2
14	C33696	SCREW - #4 - 40 x 1-1/8"	2

INDEX**HEADLIGHT**

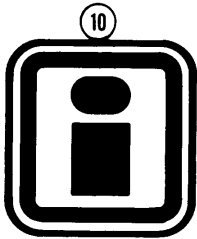
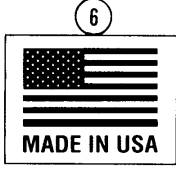
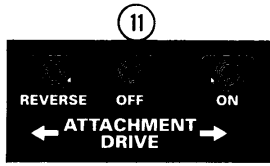
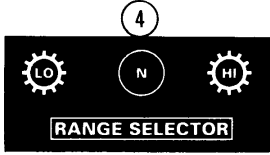
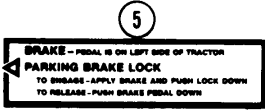
1	C29637	CLIP - headlight	4
2	187-1328	SCREW - #8 - 18 x 3/8"	4
	C32178	HEADLIGHT ASSEMBLY	2
3	NSS	RECEPTACLE - headlight (order C32178)	1
4	C28932	BULB - 12 volt.....	1
5	C14304	GASKET - headlight	2
6	C22573	LENS - headlight.....	2

8

4118 D All Hydraulic Power **INGERSOLL**

1

3118 D All Hydraulic Power **INGERSOLL**



9

WARNING

READ OPERATOR'S MANUALS. KNOW LOCATION & FUNCTION OF ALL CONTROLS. KEEP ALL GUARDS, SHIELDS & SAFETY SWITCHES IN PLACE & WORKING. CLEAN WORK AREA OF THINGS THAT COULD BE THROWN BY THE BLADES. DO NOT MOW WHEN CHILDREN OR OTHERS ARE AROUND. NEVER CARRY CHILDREN. LOOK DOWN & BEHIND BEFORE AND WHILE BACKING. GO UP AND DOWN SLOPES, NOT ACROSS. IF MACHINE STOPS GOING UP HILL, STOP BLADES AND BACK DOWN SLOWLY. AVOID SUDDEN TURNS. FAILURE TO OBSERVE THESE PRECAUTIONS COULD RESULT IN SERIOUS INJURY OR DEATH.

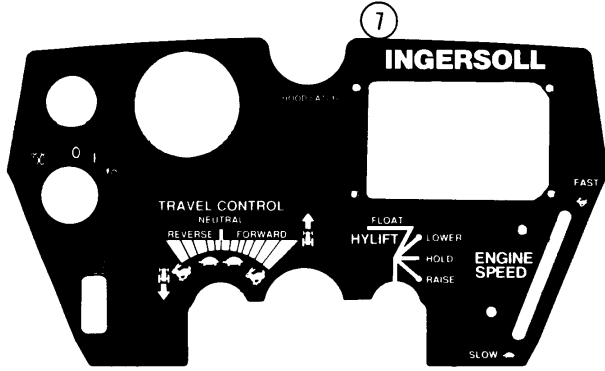
16

ATTENTION

BEFORE STARTING ENGINE, DISENGAGE PTO AND PLACE TRAVEL CONTROLS IN NEUTRAL. USE LOW GEAR ON HILLS & RAMPS. BACK UP STEEP HILLS & RAMPS. DRIVE FORWARD GOING DOWN STEEP HILLS & RAMPS.

15

Diesel



14

DIESEL FUEL ONLY

13

CAUTION

DO NOT USE ETHER OR STARTING FLUID. SEVERE ENGINE DAMAGE WILL OCCUR.

12

CAUTION

A SOLUTION OF 50% ANTI-FREEZE AND 50% WATER MUST BE USED IN THIS ENGINE. (FREEZING POINT ABOUT -34°F). DO NOT USE 100% ANTI-FREEZE. OR SEVERE DAMAGE WILL OCCUR.

MODEL 3118D, 4118D COMPACT TRACTORS

DECALS

REF.	PART NO.	DESCRIPTION	REQ'D
1	C43082	DECAL - "3118D" hood L.H.	1
1	C43083	DECAL - "3118D" hood R.H. (shown).....	1
2	C33588	DECAL - fuel gauge	1
3	C37197	DECAL - steering wheel.....	1
4	C37274	DECAL - shift range	1
5	C33590	DECAL - brake	1
6	C34184	DECAL - flag	1
7	C43090	INSERT - instrument panel decal	1
8	C43084	DECAL - "4118D" hood L.H.	1
8	C43085	DECAL - "4118D" hood R.H. (shown).....	1
9	NSS	DECAL - Caution (use C44340 and C44341).....	1
9	C44340	DECAL - Warning (shown).....	1
10	C30539	MEDALLION	1
11	C37275	DECAL PTO	1
12	C43091	DECAL - anti-freeze	1
13	C43092	DECAL - ether	1
14	C37497	DECAL - diesel fuel only	1
15	C43410	DECAL - diesel.....	2
16	C44341	DECAL - Attention	1