



Parts Catalog 8-3121

COMPACT TRACTORS
WITH **ONAN** ENGINES

4016 SN 14149628 TO 14170800

3016PS, 3018PS, 3020PS

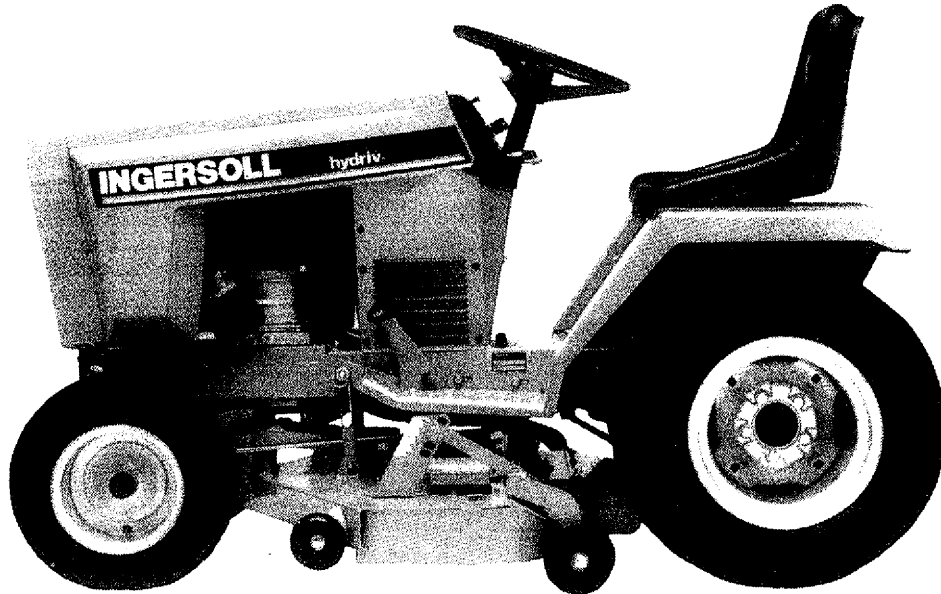
4016PS, 4018PS 4020PS

[INDEX](#)

[PAINT](#)

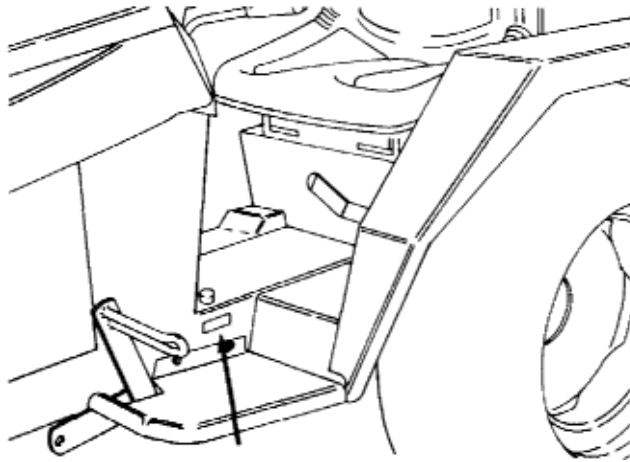
[ENGINES](#)

[GENERAL INFO](#)

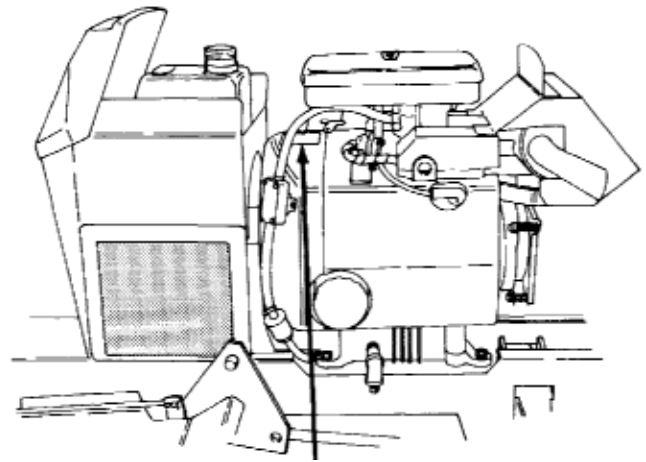


INDEX

**PRODUCT IDENTIFICATION NUMBERS (PIN.)
OR SERIAL NUMBERS (S/N)**



**TRACTOR MODEL AND P.I.N.
OR SERIAL NUMBERS**



**ENGINE MODEL, SERIAL AND
SPECIFICATION NUMBERS**

NOTE: In this catalog there are references to serial numbers.
To order the correct part, use these serial numbers as a guide.

ENGINE IDENTIFICATION

TRACTOR MODEL

3016PS, 4016PS, 4016

3018PS, 4018PS

4020PS

ENGINE MODEL

C33235
ONAN P216G-I SPEC. NO. 10904C

C33236
ONAN P218G-I SPEC. NO. 10904C
* LINAMAR LX770 SPEC. NO. 10905G
SPEC .NO. 11457G

C33237
ONAN P220G-I SPEC. NO. 10904C
* LINAMAR LX790 SPEC. NO. 10905G
SPEC .NO. 11457G

* LINAMAR ENGINES USED PIN 17192461 AND AFTER

INDEX

There is an index at the front and rear of this catalog. The front index is an alphabetical index of the major groups or assemblies.

The rear index is a numerical index of the part numbers and pages on which these numbers are shown.

ILLUSTRATION

Each illustration in this catalog shows a group of parts or components. These parts and components are aligned approximately as the parts and components on your machine. Each part and component in an illustration has a reference number. These reference numbers are in a list on the page opposite of the illustration. Next to the reference number is the part number, description and required quantity of the part shown in the illustration.

UAR - "Use as required" indicates that the part quantity is variable.

NSS - "Not sold separately" indicates that the part is only available as component of an assembly or the part must be purchased locally. If the part is an assembly component, the description will be indented under the assembly description in the parts list.

O/L - "Obtain locally"

- "Footnotes" are added to a part number when more information is needed for identification. They only relate to the part numbers indicated. All orders must include the following information:

PARTS ORDERS

1. Correct part number.
2. Complete description of part or component.
3. Total quantity of each part or component.
4. Product model number.
5. All necessary product identification numbers.
6. Method for sending the parts.
7. Complete and correct address.

CATALOG REVISIONS

As the product changes, new pages will be available for your catalog. A notice will be issued.

IMPORTANT: Put all revisions into the catalog as soon as possible.

RIGHT HAND AND LEFT HAND IDENTIFICATION

The words right hand (RH) and left hand (LH) as used in this catalog indicate the direction while you are in the operator's seat in the normal operating position.

INDENTED DESCRIPTIONS

An assembly can have many components. The components of an assembly are indicated by an indented description. The quantity for an indented part is the total needed for that complete assembly. See the example.

REF.	PART NO.	DESCRIPTION	REQ'D
	C 55159	CYLINDER ASSY - rear steering	1
28	C 56208	SOCKET ASSY - rear cylinder	1
29	C 55956	PLUG - adjusting, socket assy	1
30	C 55957	SEAT- socket, ball.....	2
31	C 56210	SPRING-socket	1
32	C 56209	SEAT - socket spring.....	1
33	G 45175	CLAMP ASSY - socket assy	1
	16- 836	BOLT-1/2"x2-1/4" N.F. hex.....	1
34	132- 104	PIN-cotter, 3/16"x3".....	1
35	C 55889	STUD - ball, socket & cylinder	2
36	13- 410	BOLT-1/4"x5/8"N.C.,hex	4
37	92- 4	LOCK WASHER - 1/4"SAE	4



Ingersoll

Paint & Oil

INDEX

PAINT

Power Red Gloss

16-ounce Aerosol Can..... C28484
Quart C28485

Power White

16-ounce Aerosol Can..... C28812
Quart C28845

Power Yellow (Older 600 Series)

16-ounce Aerosol Can..... C28847
Quart C28848

Power Tan (6000 Series)

16-ounce Aerosol Can..... C28853
Quart C28854

Desert Sunset (Older 400 Series)

16-ounce Aerosol Can..... C28846
Quart C28852

Black, Semi Gloss

16-ounce Aerosol Can..... C28849
Quart C28850

Black, High Heat

16-ounce Aerosol Can..... C28851

Silver

16-ounce Aerosol Can..... C30870

M & W Plum

16-ounce Aerosol Can..... 10-5688

Grazer Grey

16-ounce Aerosol Can..... C38444
Quart C38982

Odyssey Charcoal Grey

16-ounce Aerosol Can..... C47171

HYDRAULIC OIL

20W40, Use 32 Degrees and above.
12-Quart Case..... C32778

5W20, Use Below 32 Degrees.
12-Quart Case..... C32777

ALPHABETICAL INDEX

ENGINE SECTION

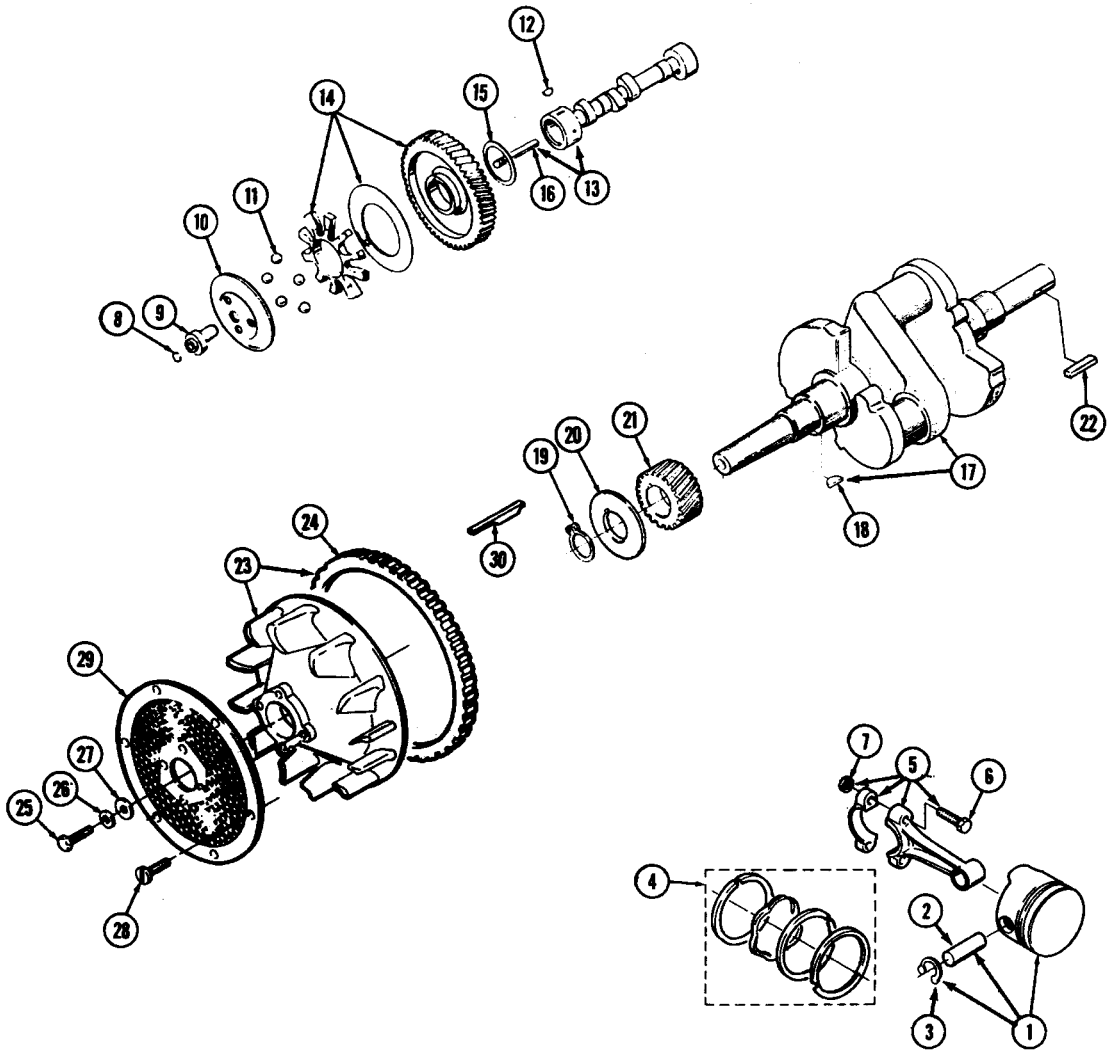
	PAGE		PAGE
Air Cleaner	17	Flywheel	5
Battery	59	Fuel Pump	15
Breather, Crankcase.....	17	Fuel System.....	15
Camshaft	5	Gasket Kits	7-9
Carburetor	15-19	Governor	13-21
Choke Linkage	19	Muffler	23
Connecting Rod.....	5	Shields.....	21-23
Crankshaft	5	Oil Pan.....	11
Cylinder Block	7-9	Piston	5
Cylinder Head.....	7-9	PTO Clutch.....	25
Electrical System	65-69	Rotor, Ignition	13
Engine Block & Attaching Parts	7-9	Spark Plug.....	65-67
Exhaust System.....	23	Starter.....	63
Filter, Breather.....	17	Tank, Fuel	15
Filter, Fuel	15	Throttle Linkage.....	19
Filter, Oil.....	11	Valves.....	7-9

BASIC TRACTOR SECTION

Axle, Front	39	Pump	53
Axle, Rear.....	43	Valve, Control	57
Baffles & Shrouds	21-23	Linkage, Valve, Control	59
Brakes	41	Hydraulic Lift	61
Control, Speed.....	59	Instruments	65-67
Decals.....	71	Mounts, Engine.....	27-29
Electrical System	65-69	Mounts, Heat Exchanger.....	45-49
Fenders	33-35	PTO Clutch (electric).....	25
Frame	27-29	Reflector, rear	69
Grille	31	Seat, Operator's.....	33-35
Headlights.....	69	Steering, Power	51
Hitch, Tow.....	59	Steering Wheel & Gear (manual) . . .	37
Hood.....	31	Tool Tray.....	33-35
Hydraulics	45-61	Transmission	43
Adapter, Pump Drive.....	55	Wheels, Front & Rear.....	41
Hoses, Lines & Fittings	45-61		
Motor, Hydraulic Drive.....	55		

PISTON CRANKSHAFT, FLYWHEEL, AND CAMSHAFT

INDEX



MODEL 3016PS, 3018PS, 3020PS, 4016, 4016PS, 4018PS, 4020PS COMPACT TRACTORS

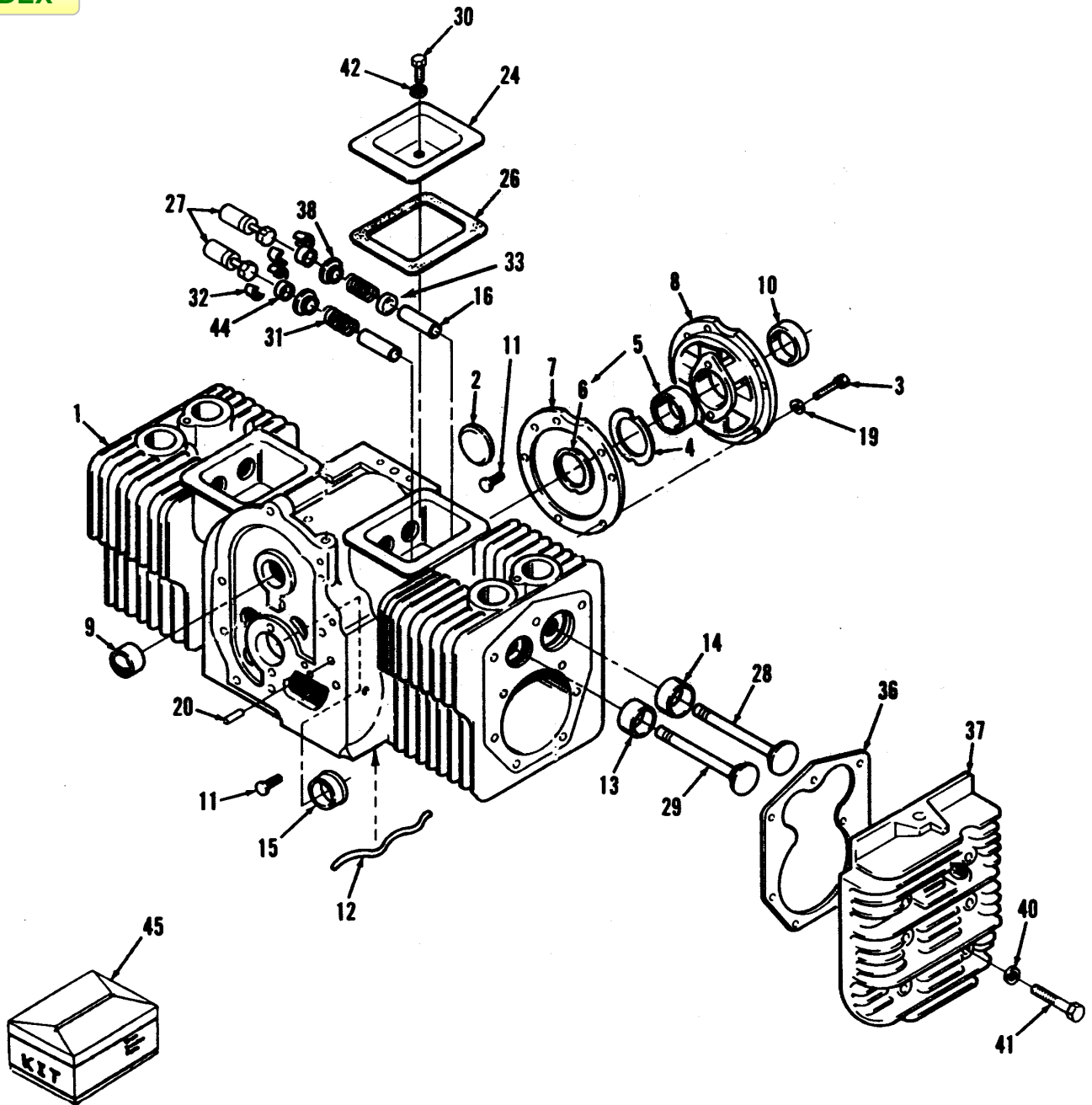
INDEX

PISTON, CRANKSHAFT, FLYWHEEL AND CAMSHAFT

REF.	PART NO.	DESCRIPTION	REQ'D
1	C40793	PISTON - standard (includes pin and retaining ring).....	2
1	C24932	PISTON - .005(0.13 mm) oversize (includes pin and retaining ring)	2
1	C40794	PISTON - .010(0.25 mm) oversize (includes pin and retaining ring).....	2
1	C40795	PISTON - .020(0.51 mm) oversize (includes pin and retaining ring)	2
1	C40796	PISTON - .030(0.76 mm) oversize (includes pin and retaining ring)	2
1	C24936	PISTON - .040(1.02 mm) oversize (includes pin and retaining ring)	2
2	C29972	PIN - piston	2
3	C20241	RING-retaining.....	4
4	C29739	RING SET - piston (standard).....	2
4	C24938	RING SET - piston .005" (0.13 mm) oversize	2
4	C24939	RING SET - piston .010" (0.25 mm) oversize	2
4	C24940	RING SET - piston .020" (0.51 mm) oversize	2
4	C24941	RING SET - piston .030" (0.76 mm) oversize	2
4	C24942	RING SET - piston .040" (1.02 mm) oversize	2
5	C29750	CONNECTING ROD - (standard) includes nut and bolt (3016PS, 4016, 4016PS).....	2
5	C29751	CONNECTING ROD - .010" (0.25 mm) undersize, includes nut & bolt (3016PS, 4016, 4016PS).....	2
5	C20204	CONNECTING ROD - .020" (0.51 mm) undersize, includes nut & bolt (3016PS, 4016, 4016PS).....	2
5	C20205	CONNECTING ROD - .030" (.076 mm) undersize, includes nut & bolt (3016PS, 4016, 4016PS).....	2
5	C25383	CONNECTING ROD - (standard) includes nut & bolt (3018PS, 3020PS, 4018PS, 4020PS).....	2
5	C25384	CONNECTING ROD - .010" (0.25 mm) undersize, includes nut & bolt (3018PS, 3020PS, 4018PS, 4020PS).....	2
5	C25385	CONNECTING ROD - .020" (0.51 mm) undersize, includes nut & bolt (3018PS, 3020PS, 4018PS, 4020PS).....	2
5	C25386	CONNECTING ROD - .030" (0.76 mm) undersize, includes nut & bolt (3018PS, 3020PS, 4018PS, 4020PS).....	2
6	C25774	BOLT - connecting rod 5/16" special N.F.....	4
7	C25775	NUT - lock, connecting rod 5/16" N.F.....	4
8	C20223	RING - retaining.....	1
9	C24325	HUB - governor cup.....	1
10	C24326	CUP - governor.....	1
11	211-216	BALL - governor.....	5
12	126-9	KEY - woodruff 1/8" x 1/2".....	1
13	C32468	CAMSHAFT - (includes pin) (3016PS, 3018PS, 4016, 4016PS,4018PS).....	1
13	C32469	CAMSHAFT - (includes pin) (3020PS, 4020PS).....	1
14	C22261	GEAR ASSEMBLY - camshaft.....	1
15	C20229	WASHER - thrust.....	1
16	C20233	PIN - center.....	1
17	C32284	CRANKSHAFT - engine (3016PS, 4016, 4016PS).....	1
17	C32285	CRANKSHAFT - engine (3018PS, 3020PS, 4018PS, 4020PS)	1
18	126-9	KEY - woodruff, crankshaft gear.....	1
19	C20218	RING - retaining.....	1
20	C20219	WASHER - special.....	1
21	C22262	GEAR - crankshaft.....	1
22	C31976	KEY - square, clutch.....	1
23	C32286	FLYWHEEL - engine.....	1
24	C20226	GEAR - ring, flywheel.....	1
25	C32473	BOLT - flywheel.....	1
26	C32463	WASHER - special.....	1
27	C20303	WASHER - special.....	6
28	C32464	SCREW - #10 - 24 x 3/8 flange lock	6
29	C32287	SCREEN - flywheel.....	1
30	C32288	KEY - 3/16" x 2" special, flywheel	1

CYLINDER BLOCK

INDEX



INDEX

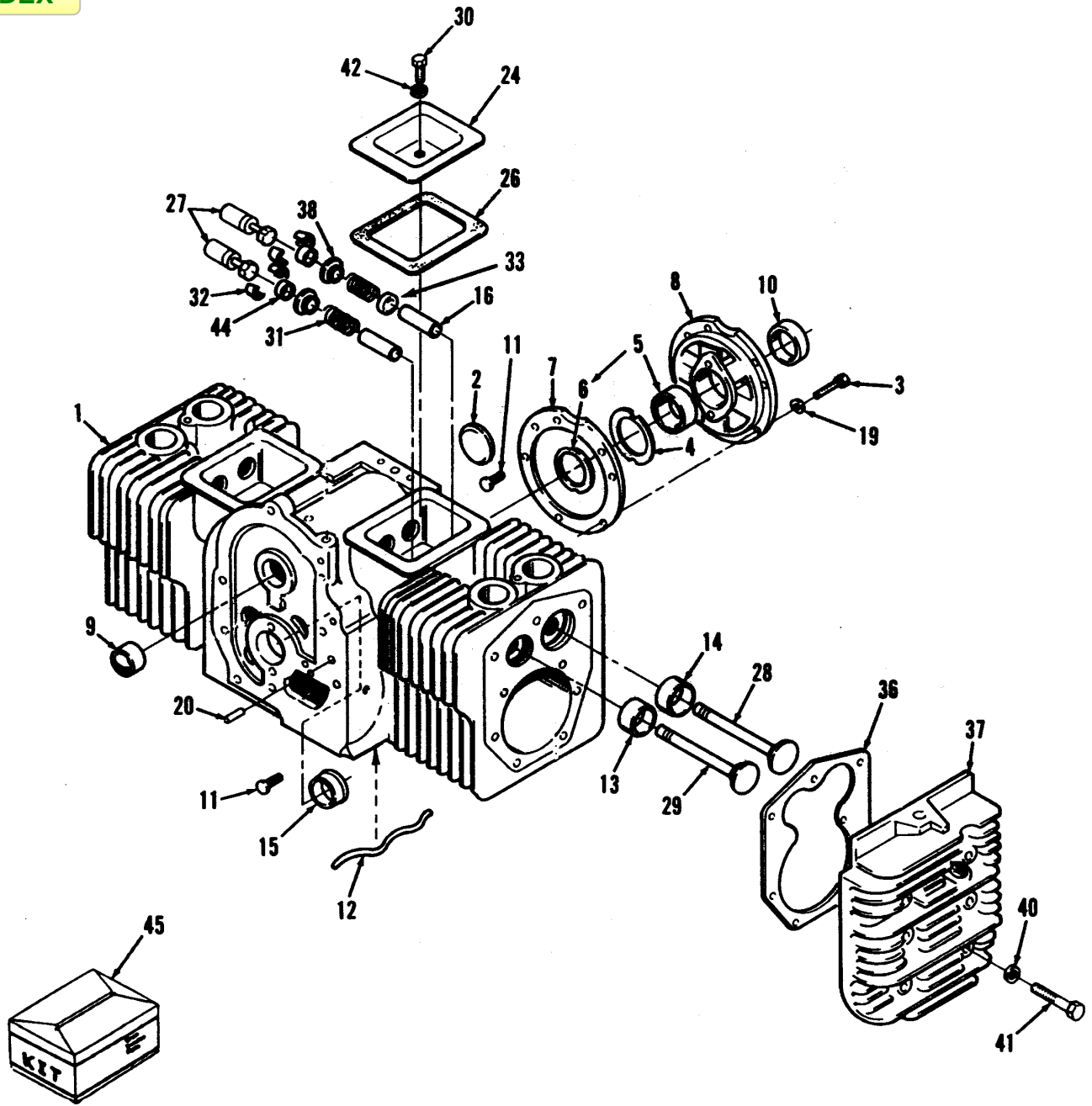
CYLINDER BLOCK

REF.	PART NO.	DESCRIPTION	REQ'D
1	C33243	BLOCK ASSEMBLY - short (3016PS, 4016, 4016PS) includes cylinder and crankcase, all bearings, crankshaft, camshaft, timing gear, connecting rods, pistons, piston rings, valves, oil pump and breather tube (does not include gasket set).....	1
1	C33244	BLOCK ASSEMBLY - short (3018PS, 3020PS, 4018PS, 4020PS) includes cylinder and crankcase, all bearings, crankshaft, camshaft, timing gear, connecting rods, pistons, piston rings, valves, oil pump and breather tube (does not include gasket set).....	1
2	41-26	PLUG - welch	1
3	113-208	BOLT - 3/8"-16x1-1/4".....	5
4	C20256	SHIM - end play, crankshaft (.005")	UAR
5	C22618	BEARING - crankshaft, rear (includes thrust washer) (standard)	1
5	C22619	BEARING - crankshaft, rear .002" (0.05 mm) undersize	1
5	C22620	BEARING - crankshaft, rear .010" (0.25 mm) undersize	1
5	C22621	BEARING - crankshaft, rear .020" (0.51 mm) undersize	1
5	C22622	BEARING - crankshaft, rear .030" (0.76 mm) undersize	1
6	C20267	WASHER - thrust.....	2
7	C20268	GASKET - bearing plate	1
8	C20269	PLATE - bearing, rear.....	1
9	C20270	BEARING - camshaft 3/4" length (service part is 5/16" length)	2
10	C20271	SEAL - oil, crankshaft rear.....	1
11	C20272	PIN - drive, bearing stop	4
12	C24946	TUBE - oil.....	1
13	C29974	INSERT - valve seat, exhaust (standard).....	2
13	C29975	INSERT - valve seat, exhaust .002" (0.05 mm) oversize.....	2
13	C29976	INSERT - valve seat, exhaust .005" (0.13 mm) oversize.....	2
13	C29977	INSERT - valve seat, exhaust .010" (0.25 mm) oversize.....	2
13	C29978	INSERT - valve seat, exhaust .025" (0.64 mm) oversize.....	2
14	C20287	INSERT - valve seat, intake (standard).....	2
14	C20289	INSERT - valve seat, intake .005" (0.13 mm) oversize.....	2
14	C20290	INSERT - valve Seat, intake .010" (0.25 mm) oversize.....	2
14	C20291	INSERT - valve seat, intake .025" (0.64 mm) oversize.....	2
15	C20295	BEARING - crankshaft, front, flanged (standard)	1
15	C20296	BEARING - crankshaft, front .002" (0.05 mm) undersize	1
15	C20297	BEARING - crankshaft, front .010" (0.25 mm) undersize	1
15	C20298	BEARING - crankshaft, front .020" (0.51 mm) undersize	1
15	C20299	BEARING - crankshaft, front .030" (0.76 mm) undersize	1
16	C32274	GUIDE - valve,exhaust	2
16	C32275	GUIDE - valve, intake	2
19	192-21	LOCKWASHER - 3/8".....	5
20	C23320	PIN - alignment, gear cover	2
24	C20250	COVER - valve	1
26	C20251	GASKET - valve cover.....	2
27	C20276	TAPPET - valve (standard).....	4
27	C20471	TAPPET - valve .002(0.05 mm) oversize	4
27	C20277	TAPPET - valve .005(0.13mm) oversize	4
28	C32272	VALVE - intake	2
29	C32273	VALVE - exhaust	2
30	113-132	BOLT - 1/4" – 20 x 1-3/4".....	2
31	C32276	SPRING - valve	4
32	C32277	LOCK - valve and spring.....	8



CYLINDER BLOCK

INDEX



MODEL 3016PS, 3018PS, 3020PS, 4016, 4016PS, 4018PS, 4020PS COMPACT TRACTORS

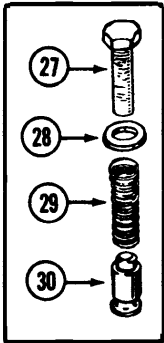
INDEX

CYLINDER BLOCK

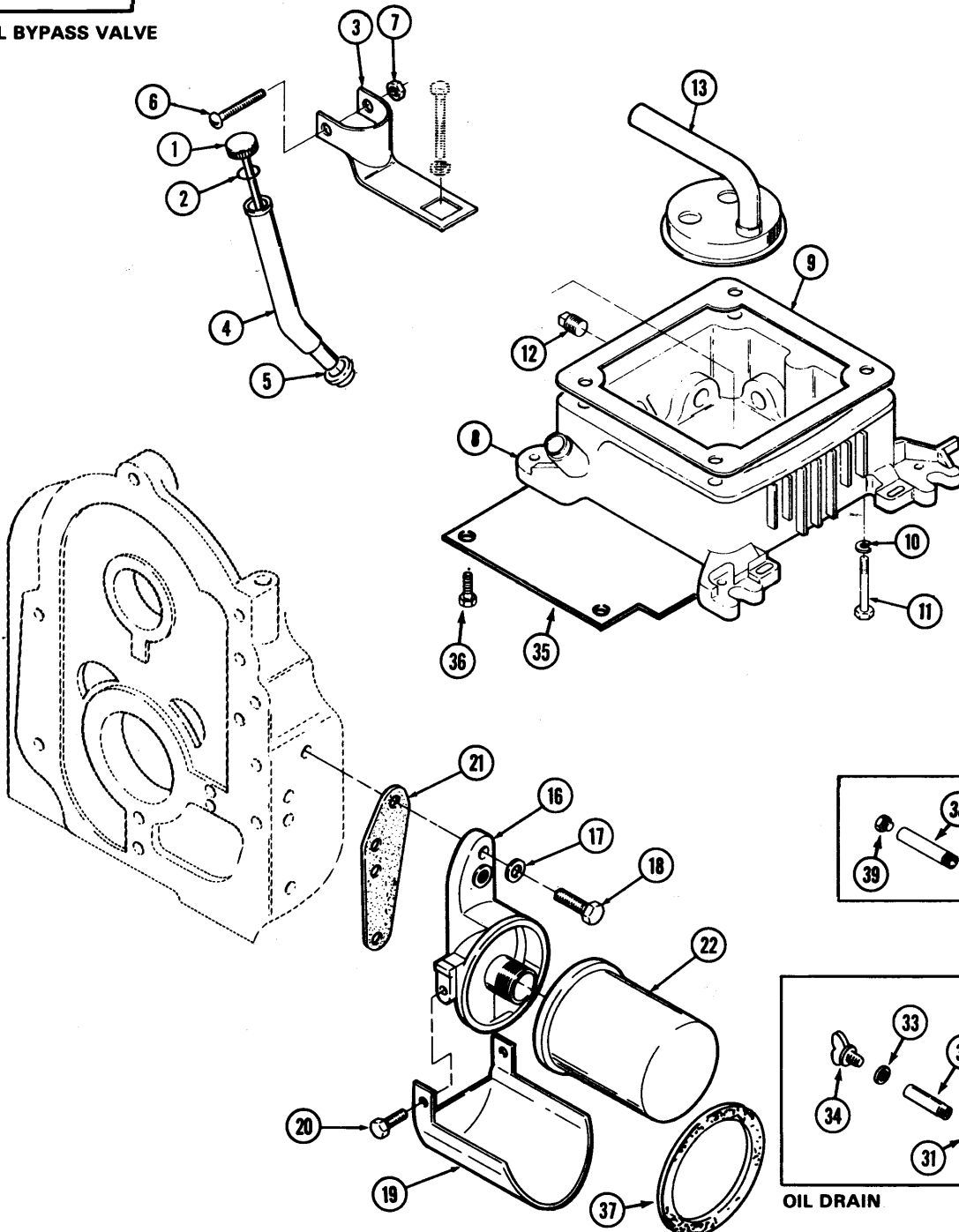
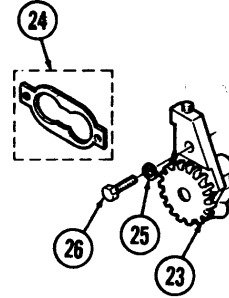
REF.	PART NO.	DESCRIPTION	REQ'D
33	C40797	SEAL – intake valve	2
36	C29979	GASKET - head	2
37	C32279	HEAD - cylinder R.H.....	1
37	C32280	HEAD - cylinder L.H	1
38	C32281	RETAINER – valve spring	4
40	C20248	WASHER - 5/16"	18
41	C32440	BOLT - head 2-3/8" long.....	16
42	C20247	WASHER - 1/4" copper	2
44	C32282	CAP - valve	4
45	C29981	KIT - gasket, complete engine (does not include bearings)	1
45	C29982	KIT - gasket, (carbon removal/valve grind)	1

OIL BASE, PUMP, FILTER, AND FILLER TUBE

INDEX



OIL BYPASS VALVE



OIL DRAIN

MODEL 3016PS, 301BPS, 3020PS, 4016, 4016PS, 401BPS, & 4020PS

INDEX

OIL BASE, PUMP, FILTER AND FILLER TUBE

REF.	PART NO.	DESCRIPTION	REQ'D
1	C32290	DIPSTICK - oil level indicator	1
2	C32465	O-RING	1
3	C32291	BRACKET - filltube	1
4	C32292	TUBE - oil fill	1
5	C32293	SEAL - tube	1
6	C32466	SCREW - # 10 x 1-1/4" panhead	1
7	C32467	NUT - speed (type U)	1
8	C32289	BASE - oil (includes plugs)	1
9	C29984	GASKET - oil base	1
10	192-21	LOCKWASHER - 3/8"	4
11	113-252	BOLT - 3/8"-16 x 3-3/4	4
12	221-3	PLUG - oil base 3/8"	2
13	C23321	CUP - intake, oil pump	1
16	C20565	ADAPTER - oil filter	1
17	C20331	WASHER - 5/16" copper	2
18	113-103	BOLT - 5/16" - 18 x 1"	2
19	C25389	DRAIN - oil filter	1
20	182-525	BOLT - #10-32 x 3/8"	2
21	C32462	GASKET - oil filter adapter	1
22	C26191	FILTER - oil	1
23	C29734	PUMP - oil	1
24	C20325	KIT - gasket, oil pump	1
25	192-19	LOCKWASHER - 1/4"	2
26-	113-4	BOLT - 1/4" - 20 x 1"	2
27	C32474	BOLT - 3/8" - 24 x 7/8" oil bypass	1
28	C20574	WASHER - 3/8" copper	1
29	C20320	SPRING - oil bypass valve	1
30	C20322	VALVE - oil bypass	1
31	221-86	REDUCER - pipe 3/8" - 14 to 1/4"	1
32	C19473	NIPPLE - pipe 2.5"	1
33	C14906	GASKET - oil drain	1
34	C14399	PLUG - oil drain	1
35	C33222	BAFFLE - air, oil base	1
36	182-525	BOLT - #10-32 x 3/8"	UAR
37	C20577	SEAL - oil filter	1
38	C33949 **	NIPPLE pipe 3.5"	1
39	218-5154 **	PLUG - 1/2" - 20	1

** Use PIN and after:
 3018PS - 14181900
 4020PS - 14184000

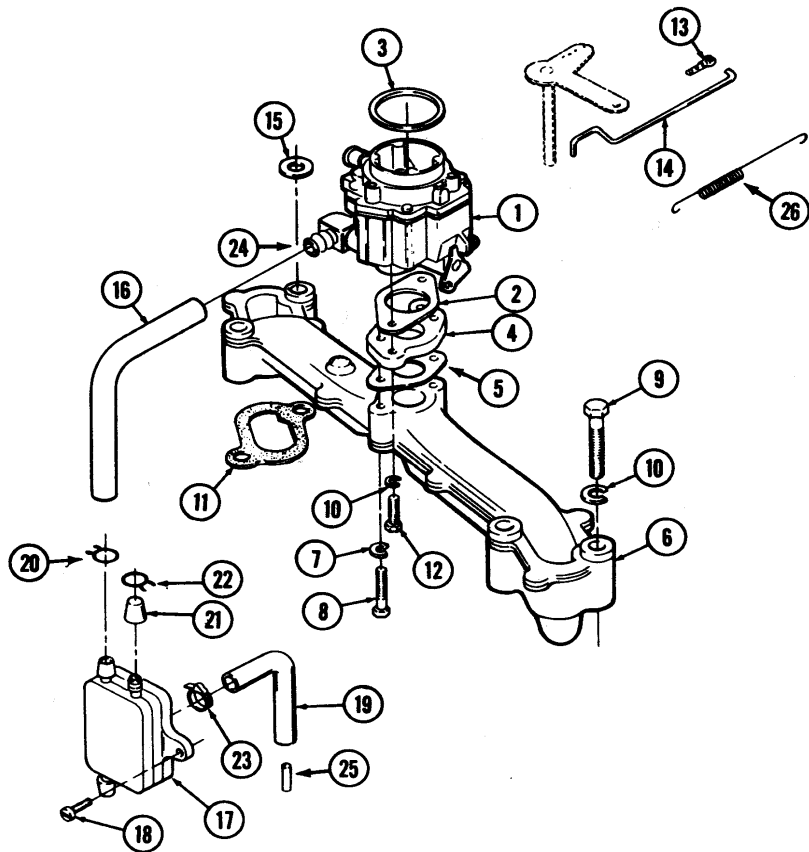
INDEX

GOVERNOR GEARCASE AND IGNITION ROTOR

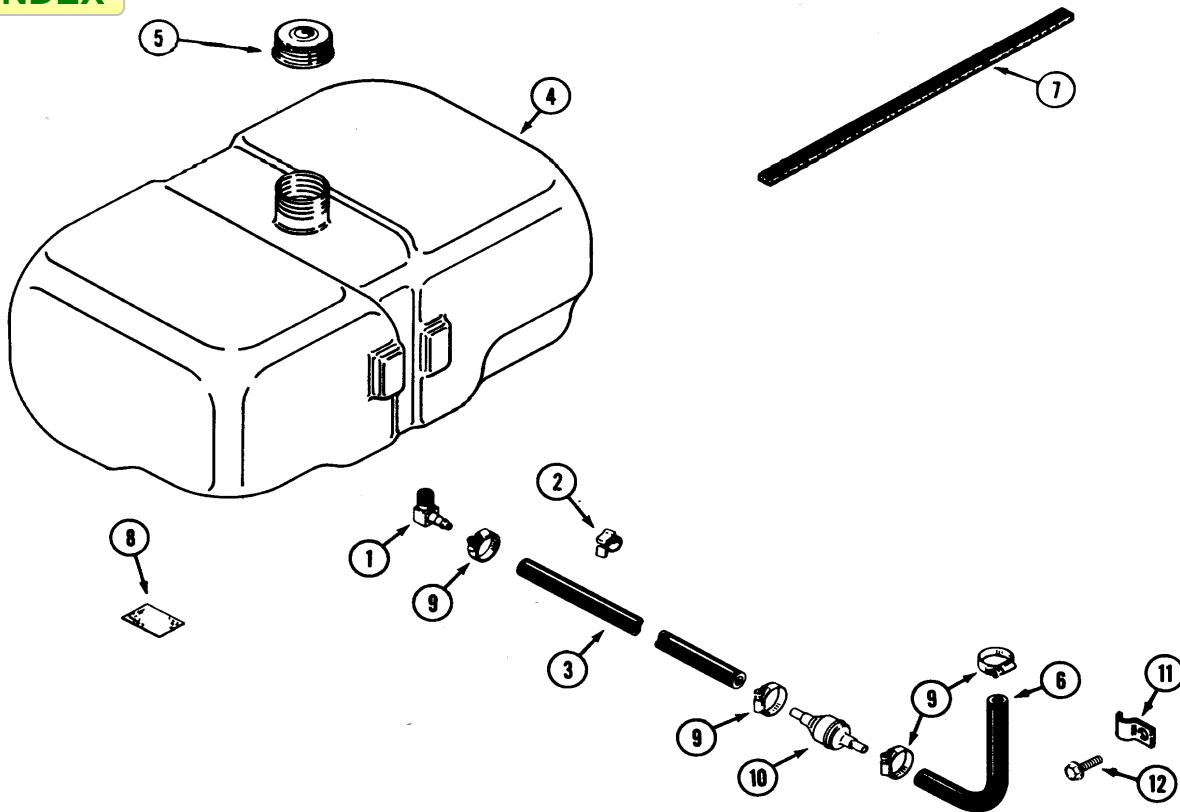
REF.	PART NO.	DESCRIPTION	REQ'D
1	C32457	GEAR CASE ASSEMBLY - governor.....	1
2	C20305	BEARING - governor shaft.....	1
3	C22632	SHAFT AND ARM	1
4	C20307	YOKE - governor shaft.....	1
5	182-84	SCREW - #8-32 x 3/8"	2
6	C20309	PIN - governor cup stop	1
7	C20310	SEAL - oil, governor shaft	1
8	211-5	BALL - bearing, governor shaft	1
9	C20312	SEAL - oil, crankshaft.....	1
10	C20313	GASKET - mounting	1
11	113-120	BOLT - 5/16" - 18 x 1-3/4	4
12	C20331	WASHER - 5/16" copper	5
13	C20412	TUBE - vacuum port (included in assembly)	1
14	C29985	STUD - gear cover	1
15	131-911	NUT - 5/16" - 18.....	1
16	C29989	CLIP - retaining.....	1
17	C20345	GASKET - plate	1
18	C32452	PLATE - plunger cover.....	1
19	C32297	ROTOR - ignition	1
20	192-19	LOCKWASHER - 1/4"	2
21	113-2	BOLT - 1/4" - 20 x 5/8"	2

FUEL SYSTEM

INDEX



INDEX



INDEX

FUEL SYSTEM (ENGINE)

REF.	PART NO.	DESCRIPTION	REQ'D
1	C29868	CARBURETOR - fuel (3016PS, 3018PS, 4016, 4016PS, 4018PS) repairs page 19	1
1	C29869	CARBURETOR - fuel (3020PS, 4020PS) repairs page 19	1
2	C29969	GASKET - carburetor mounting	1
3	C29944	SEAL-"O" ring.....	1
4	C29952	ADAPTER - carburetor.....	1
5	C29953	GASKET - adapter	1
6	C40896	MAINIFOLD - intake.....	1
7	192-19	LOCKWASHER - 1/4"	2
8	113-65	BOLT - 1/4" – 20 x 1-3/8"	2
9	113-121	BOLT - 5/16" – 18 x 2".....	4
10	192-20	LOCKWASHER - 5/16"	6
11	C26202	GASKET - manifold.....	2
12	113-103	BOLT - 5/16" – 18 x 1".....	2
13	C20360	CLIP - retaining, control rod to carburetor	1
14	C29988	ROD - governor control	1
15	195-2027	WASHER - 5/16"	1
16	NSS	HOSE - fuel (use C28937 cut to length).....	1
17	C29959	PUMP - fuel.....	1
18	182-559	SCREW - tapping #10-24 x 5-8".....	2
19	NSS	HOSE - vacuum (use C28937 cut to length)	1
20	214-103	CLAMP - hose 1/2" (wire).....	UAR
21	C20411	CAP - fuel outlet	UAR
22	NSS	CLAMP - hose 7/16" (wire) (use C32376)	UAR
23	C32376	CLAMP - hose 1/2" (worm drive).....	1
24	C10678	ELBOW - hose90°	1
25	C20412	TUBE - vacuum	1
26	C33406	SPRING - governor rod (optional).....	1

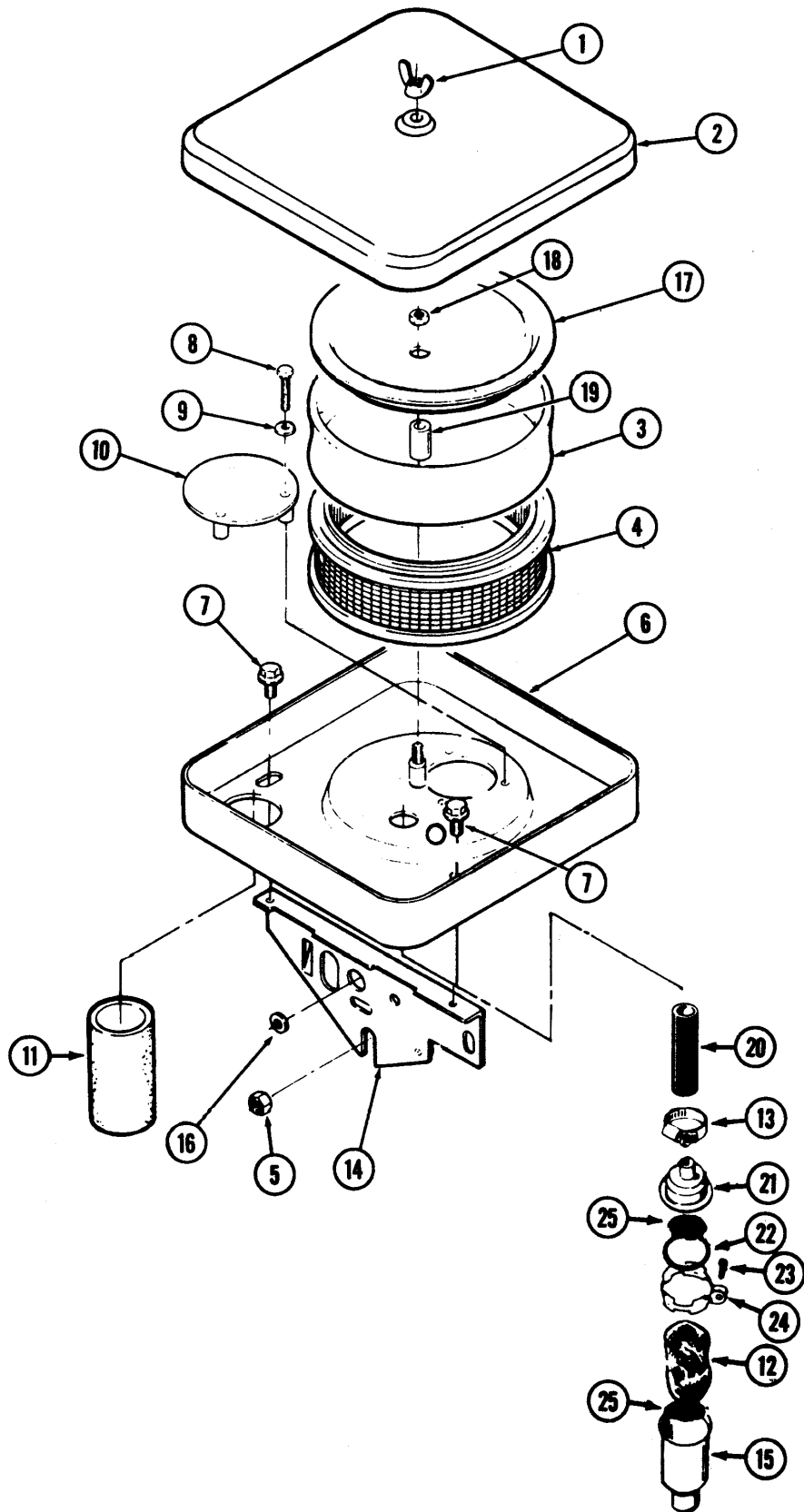
INDEX

FUEL SYSTEM (TRACTOR)

1	C10678	ELBOW - hose 900	1
2	C28962	RETAINER - fuel line.....	1
3	NSS	HOSE - fuel line (use C28937 cut to length)	1
4	NSS	TANK - fuel (use C44818, C44819)	1
5	C11529	CAP - fuel tank (includes insert) (1.5")	1
5	C44819	CAP - fuel tank (1.75").....	1
6	NSS	HOSE - fuel line (use C28937 cut to length)	1
7	C23527	LINER - tank.....	1
8	C14690	CUSHION - fuel tank.....	2
9	C32376	CLAMP - hose 1/2"	4
10	C31978	FILTER - fuel	1
11	C24689	CLIP - "J" fuel line retaining.....	1
12	187-1036	SCREW -1/4" – 20 self tap	1

AIR CLEANER AND BREATHER

INDEX



MODEL 3016PS, 3018PS, 3020PS, 4016, 4016PS, 4018PS, 4020PS COMPACT TRACTORS

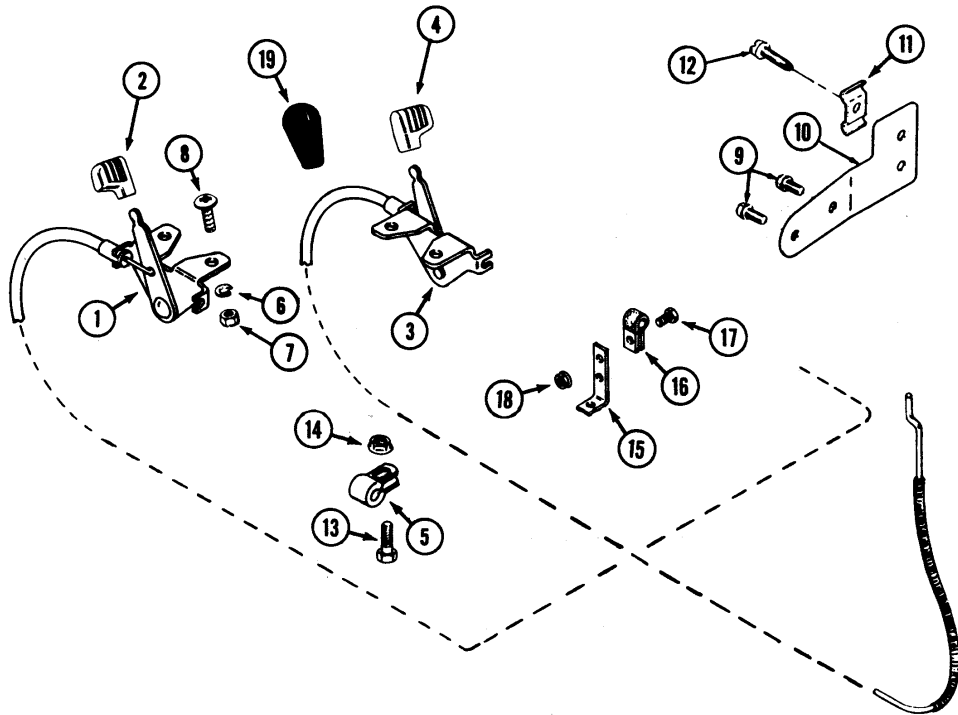
INDEX

AIR CLEANER

REF.	PARTNO.	DESCRIPTION	REQ'D
1	C26703	NUT - wing 1/4" -20	1
2	C32302	COVER - air cleaner	1
3	C22581	PRECLEANER	1
4	C22424	ELEMENT - air cleaner.....	1
5	131-911	NUT - 5/16" - l8 flange	1
6	C32303	HOUSING - air cleaner.....	1
7	187-1036	BOLT - 1/4" – 20 x 1/2" tapping, washer head	2
8	182-152	SCREW – machine #10 – 32 x 1-1/2"	3
9	195-516	WASHER - #10	3
10	C29946	DEFLECTOR - air.....	1
11	C32304	TUBE - air intake	1
12	C29948	FILTER - breather.....	1
13	C32376	CLAMP - hose	1
14	C32305	SUPPORT - air cleaner	1
15	C33247	TUBE - breather	1
16	C30033	GROMMET - rubber	1
17	C32306	COVER - element.....	1
18	131-71	NUT - lock 1/4" - 20	1
19	C32451	SPACER - air cleaner stud	1
20	C33246	HOSE - breather.....	1
21	C20490	VALVE - breather cap.....	1
22	C20493	"O" RING - breather cap.....	1
23	NSS	SCREW - self tap	1
24	C20536	CLAMP - breather cap.....	1
25	C20504	SCREEN - breather tube	2

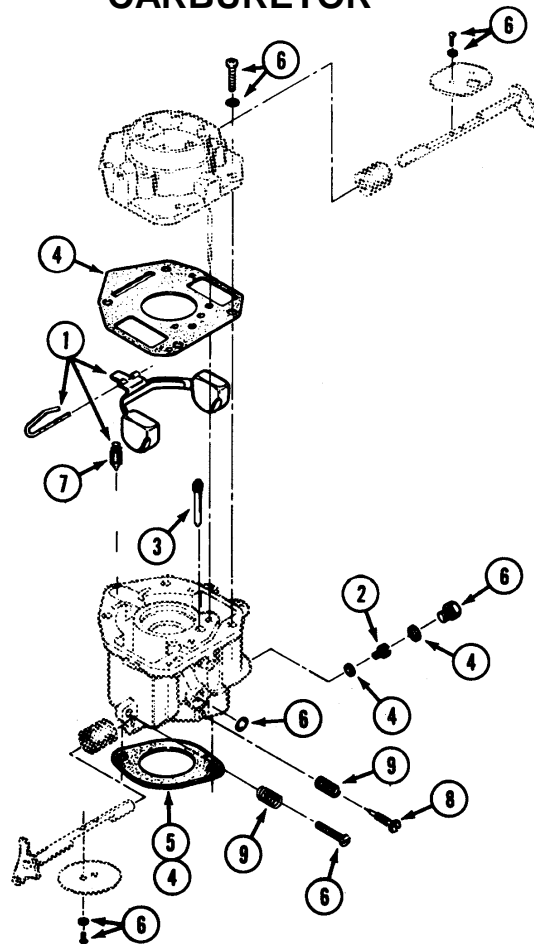
INDEX

CHOKE AND THROTTLE



INDEX

CARBURETOR



MODEL 3016PS, 3018PS, 3020PS, 4016, 4016PS, 4018PS, 4020PS COMPACT TRACTORS

INDEX

CHOKE AND THROTTLE

REF.	PART NO.	DESCRIPTION	REQ'D
1	C33468 *	CONTROL - throttle	1
1	C37226 * *	CONTROL - throttle	1
1	C46369 * * *	CONTROL - throttle	1
2	NSS	HANDLE - throttle control, orange (use C35291)	1
3	C31893 *	CONTROL - choke.....	1
3	C37227 * *	CONTROL - choke.....	1
3	C46340 * * *	CONTROL - choke.....	1
4	C30074	HANDLE - choke control, black	1
5	C27233	CLIP - double cable	3
6	192-18	LOCKWASHER - No. 10 (early production).....	2
7	C34117	NUT - No. 10 – 24 flange lock.....	2
8	182-559	BOLT - No. 10 - 24 x 3/4" phillips, black	2
9	C22369	BOLT - washer head #10 - 32 x 5/16".....	2
10	C29957	BRACKET - choke cable.....	1
11	C29506	CLIP - retaining, choke cable.....	1
12	187-1511	SCREW - tapping #10-32 x 1/2"	1
13	113-1	BOLT - 1/4" - 20 x 1/2"	1
14	131-934	NUT - 1/4" - 20 flange lock.....	1
15	C37536 *	BRACKET - wire stand off	1
16	C31977 *	CLIP - wire	2
17	113-4 *	BOLT - 1/4" - 20 x 1"	1
18	129-101 *	NUT - 1/4" - 20	1
19	C35291	KNOB - choke and throttle – USE PIN 14176500 and after	2

* Use before PIN 14176500

** Use pin 14176500 to 14190552

*** Use PIN 14190553 and after

CARBURETOR

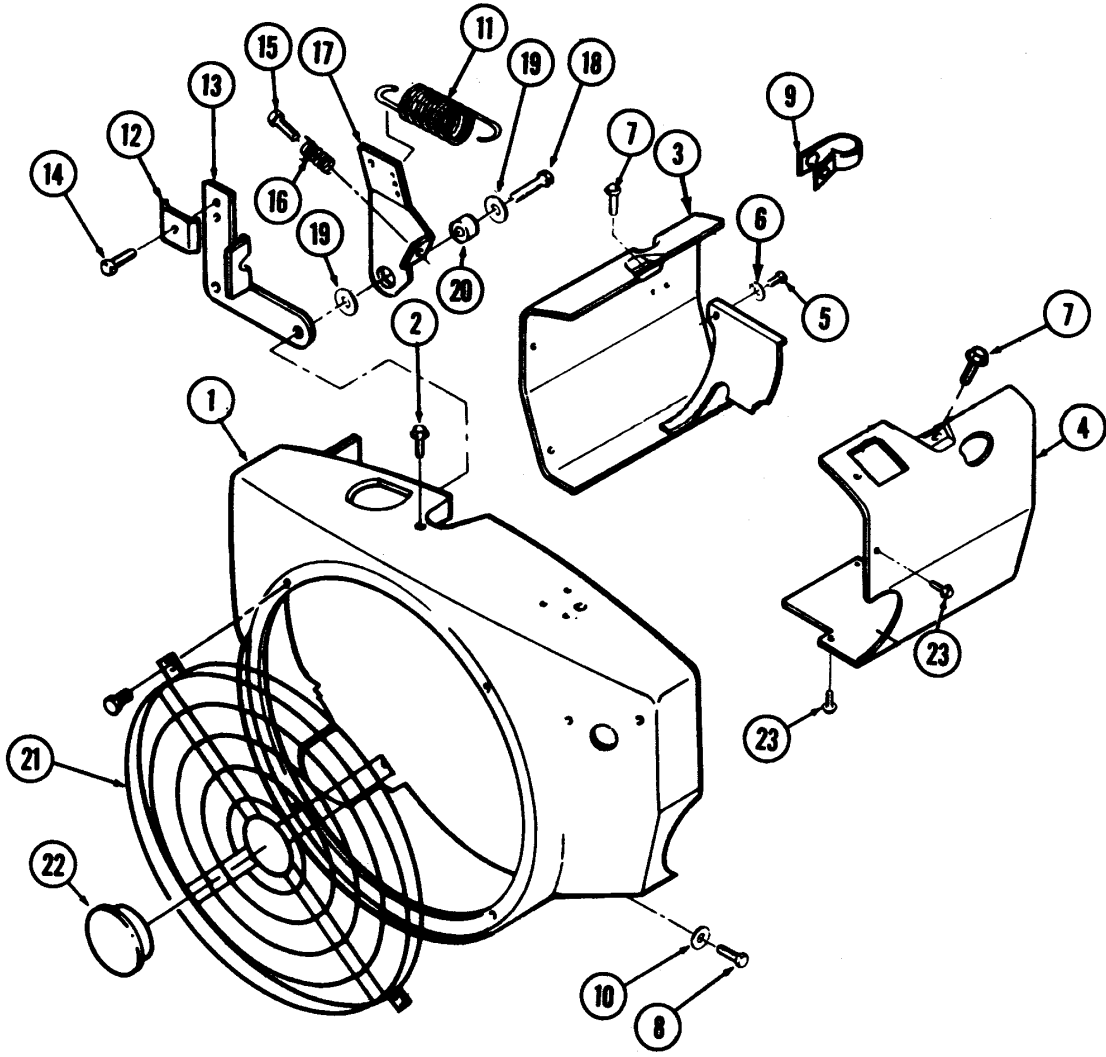
INDEX

	C43678 *	CARBURETOR - fuel (3016PS, 3018PS, 4016, 4016PS, 4018PS)	1
	C43679 *	CARBURETOR - fuel (3020PS, 4020PS).....	1
	C43681	KIT – carburetor repair.....	1
	C43682	KIT – accelerator	1
	C29868 * *	CARBURETOR - fuel (3016PS, 3018PS, 4016, 4016PS, 4018PS)	1
	C29869 * *	CARBURETOR - fuel (3020PS, 4020PS).....	1
1	C29965	KIT - float	1
2	C29966	JET - power (3016PS, 3018PS, 4016, 4016PS, 4018PS)	1
2	C30015	JET - power (3020PS, 4020PS).....	1
3	C29967	JET - idler.....	1
	C29962	KIT - repair	1
4	NSS	GASKET AND SEAL PACKAGE	1
5	C29969	GASKET - mounting	1
6	NSS	SCREW AND PLUG PACKAGE	1
7	NSS	VALVE - inlet.....	1
8	NSS	VALVE - idle adjust.....	1
9	NSS	SPRING - tension	2

* For Spec "G" Engines

** For Spec "C" Engines

BLOWER HOUSING AND GOVERNOR



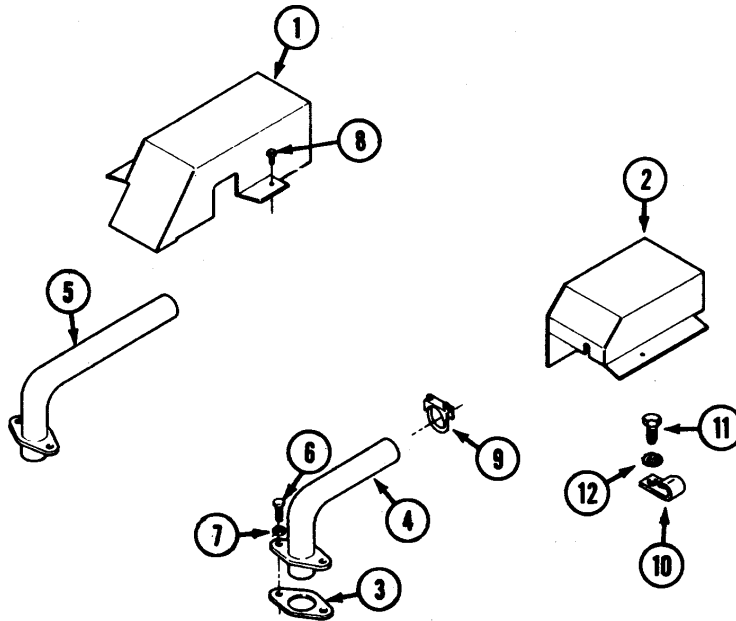
INDEX

BLOWER HOUSING AND GOVERNOR

REF.	PART NO.	DESCRIPTION	REQ'D
1	C32308	HOUSING - blower	1
2	163-22	SCREW - tapping, washer head 1/4"-20x7/16.....	1
3	C32444	HOUSING - cylinder air L.H	1
4	C32445	HOUSING - cylinder air R.H.....	1
5	187-1073	SCREW - tapping, washer head 1/4" - 20 x 5/8	2
6	195-102	WASHER - 1/4".....	2
7	C32446	BOLT - 5/16" -18 x 3/4" washer head	2
8	187-1073	SCREW - 1/4" - 20 x 5/8" tapping, washer head.....	4
9	C32447	CLAMP - wire.....	1
10	195-518	WASHER - 1/4".....	4
11	C20376	SPRING - governor.....	1
12	C29506	CLAMP - cable.....	1
13	C28719	BRACKET - cable	1
14	187-1511	SCREW - tapping #10 - 32 x 1/2"	1
15	182-49	SCREW - tapping # 6-32 x 5/8"	1
16	C20371	SPRING - idle setting.....	1
17	C32311	ARM - governor	1
18	121-3	BOLT - 1/4" - 20 x 1/2" washer head.....	2
19	195-102	WASHER - 1/4".....	2
20	C20375	BUSHING - arm, governor	1
21	NSS	SCREEN - blower housing (not used).....	1
22	NSS	PLUG - screen (not used).....	1
23	187-1036	BOLT - 1/4" - 20 x 1/2" flangelock	UAR

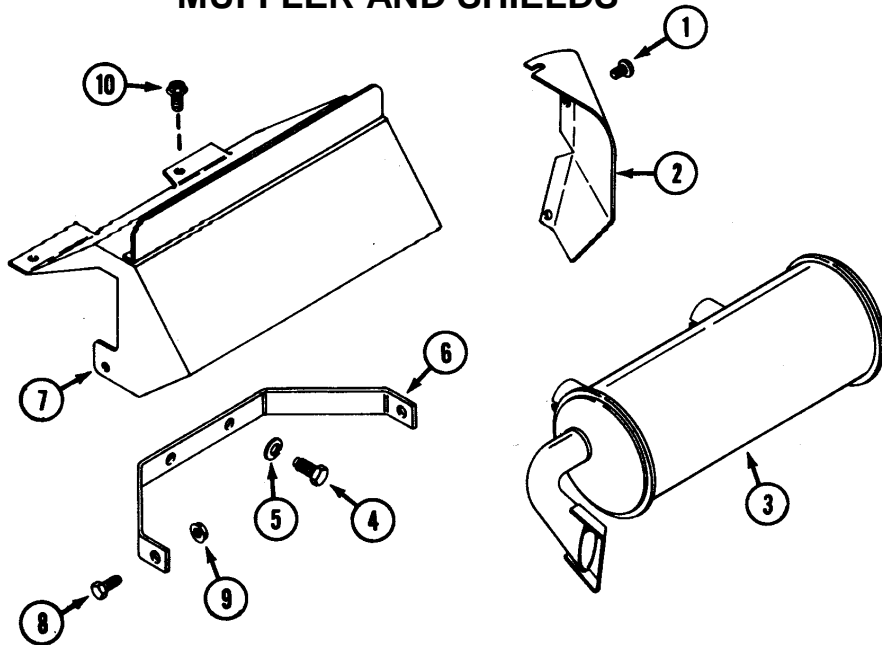
EXHAUST PIPES AND SHIELDS

INDEX



MUFFLER AND SHIELDS

INDEX



MODEL 3016PS, 3018PS, 3020PS, 4016, 4016PS, 4018PS, 4020PS COMPACT TRACTORS

INDEX

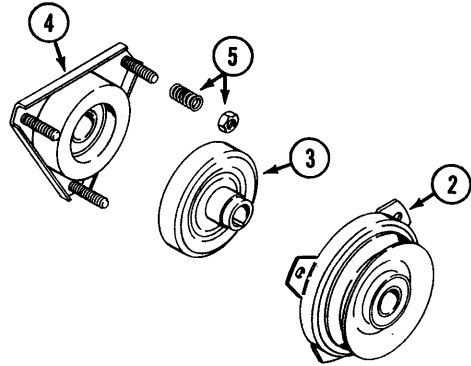
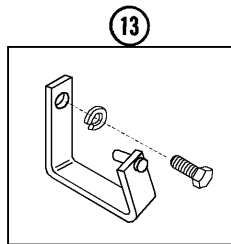
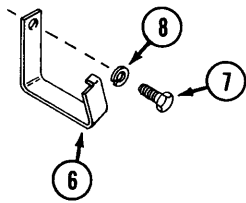
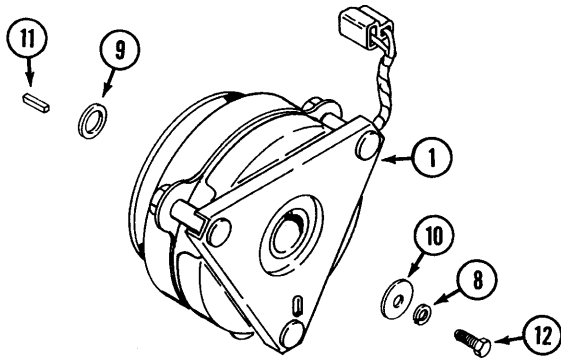
EXHAUST PIPES AND COVERS

REF.	PART NO.	DESCRIPTION	REQ'D
1	C32321	COVER - exhaust pipe L.H.....	1
2	C32322	COVER – exhaust pipe R.H	1
3	C26207	GASKET - exhaust	2
4	C32324	PIPE – exhaust R.H	1
5	C32325	PIPE - exhaust L.H.....	1
6	61-512	BOLT - 5/16 x 5/8" socket head.....	4
7	192-404	LOCKWASHER - 5/16".....	4
8	NSS	SCREW - 1/4" -20 x 3/8" washer head (use C31 597)	2
9	C31417	CLAMP - exhaust	2
	129-102	NUT - 5/16" - 18	2
10	C32455	CLIP - "J" wire	1
11	187-1908	SCREW - #10 - 16 x 5/8".....	1
12	193-70	LOCKWASHER - #10 external tooth	1

MUFFLER AND SHIELDS

1	C31597	SCREW - 1/4" – 20 x 1/2 black.....	2
2	C31415	SHIELD - head baffle extension L.H.....	1
3	C33425	MUFFLER - exhaust.....	1
4	113-208	BOLT - 3/8" – 16 x 1-1/4".....	2
5	192-21	LOCKWASHER - 3/8"	2
6	C31420	STRAP - mounting	1
7	C31421	SHIELD - muffler	1
8	113-3	BOLT - 1/4" – 20 x 3/4" hex.....	2
9	131-934	NUT - 1/4" – 20 flangelock.....	2
10	187-1036	SCREW - 1/4" -20 x 1/2" self-tap	4

INDEX

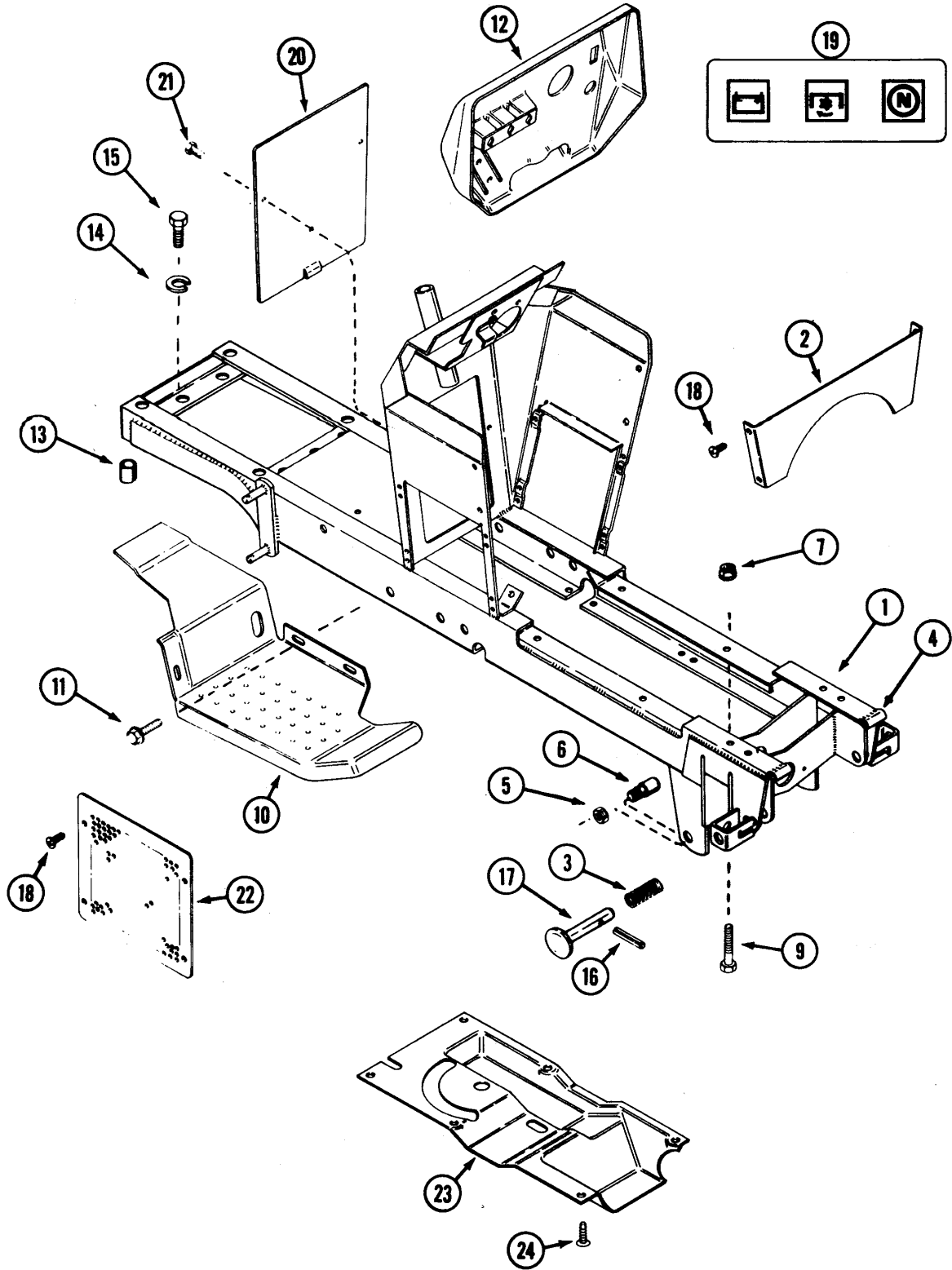


PTO ELECTRIC CLUTCH

1	NSS *	CLUTCH - PTO (use C33201 kit – includes items 1, 8, 9, and 12)	1
1	C46993 +	CLUTCH-PTO	1
1	C33198 **	CLUTCH-PTO	1
2	C32382 **	ARMATURE - clutch	1
3	C32383 **	ROTOR - clutch	1
4	C32384 **	FIELD - clutch	1
5	C32381	KIT - spring and nut	1
6	C33199	BRACKET - anti-rotation	1
7	113-206	BOLT - 3/8" - 16 x 3/4" (secure with LOCK TITE).....	1
8	192-21	LOCKWASHER - 3/8"	2
9	C29811	SPACER - clutch .100".....	UAR
9	C15557	SPACER - clutch .050".....	UAR
9	C33200	SPACER - clutch .250".....	UAR
10	C31615	WASHER - clamping.....	1
11	C31976	KEY - 1/4" x 1/4" x 1-1/4"	1
12	114-203	BOLT - 3/8" 24 x 1-1/2"	1
13	C47442	KIT – Anti Rotation Bracket.....	1
	C47422	BRACKET - anti-rotation	1
	113-207	BOLT - 3/8" - 16 x 1" (secure with LOCK TITE)	1
	192-21	LOCKWASHER - 3/8".....	1

- * Use before these PIN's:
- ** 3016 – 14126917 to S/N 17191880
- 3018 – 14132580 to S/N 17191880
- 3020 – 14133202 to S/N 17191880
- 4016 – 14128593 to S/N 17191880
- 4018 – 14129744 to S/N 17191880
- 4020 – 14130984 to S/N 17191880
- + Use after SN 17191880

FRAME, FOOTPADS AND BELLY PAN



MODEL 3016PS, 3018PS, 3020PS, 4016, 4016PS, 4018PS, 4020PS COMPACT TRACTORS

INDEX

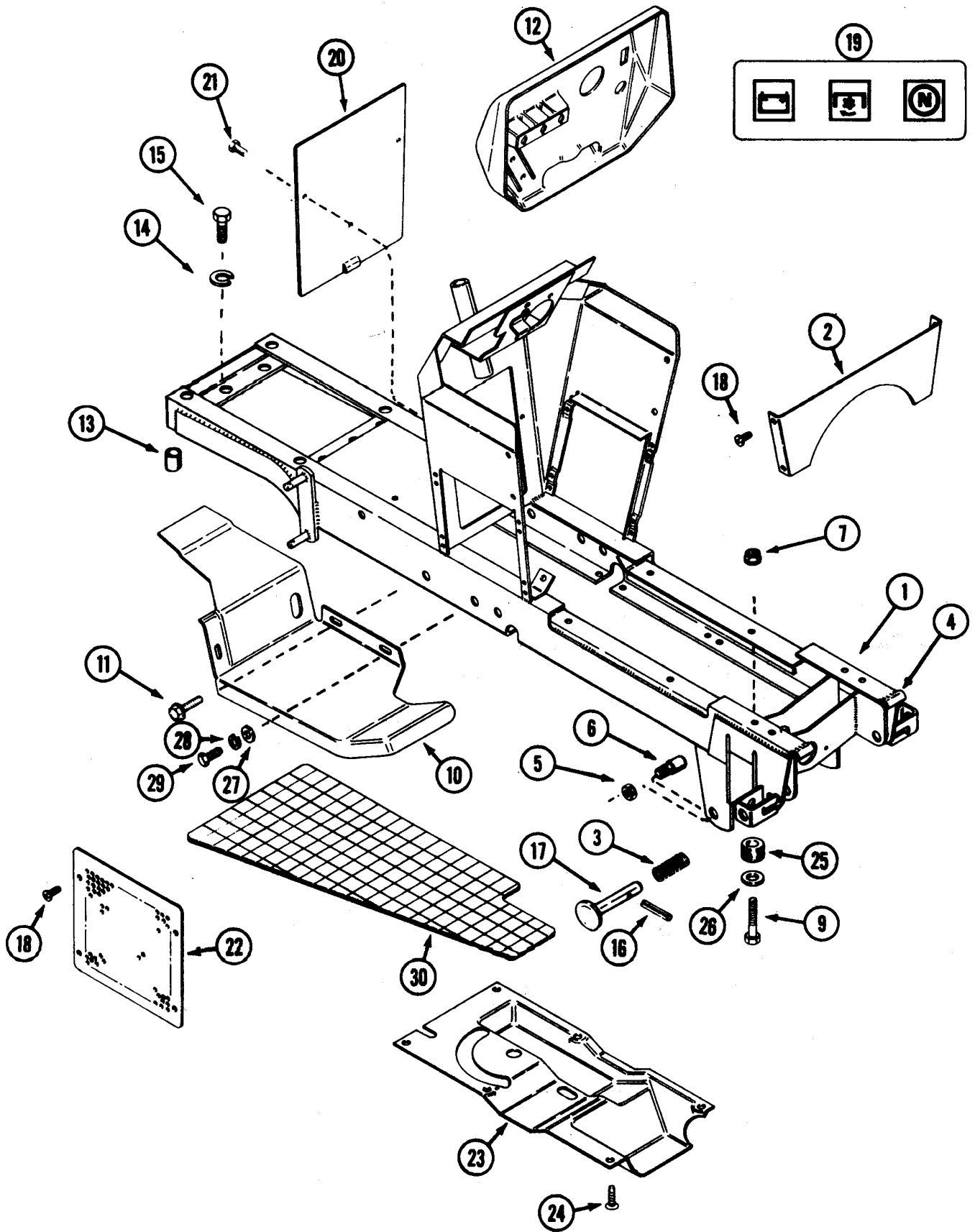
FRAME, FOOT PADS AND BELLY PAN

AFTER PIN #'s

3018PS - before PIN 14181900
 4020PS - before PIN 14184000
 3016PS, 3020PS, 4016, 4016PS, 4018PS – ALL

REF.	PART NO.	DESCRIPTION	REQ'D
1	C33512	FRAME - main (3016PS, 3018PS, 3020PS).....	1
1	C34168	FRAME - main (4016) shown	1
1	C33514	FRAME - main (4016PS, 4018PS, 4020PS).....	1
2	C31610	SHIELD - oil tank.....	1
3	C24137	SPRING - latch.....	1
4	C22023	HINGE - frame	2
5	131-1318	NUT - lock 11/2" N.F.	2
6	C27508	PIN - attachment	2
7	131-1352	NUT - lock 3/8" N.C. flange	4
9	113-208	BOLT - 3/8" - 16 x 1-1/4"	4
10	C30458	FOOTREST L.H. (3016PS, 3018PS, 3020PS)	1
10	C30460	FOOTREST R.H. (3016PS, 3018PS, 3020PS) shown	1
10	C30462	FOOTREST L.H. (4016, 4016PS, 4018PS, 4020PS)	1
10	C30464	FOOTREST R.H.(4016, 4016PS, 4018PS, 4020PS).....	1
11	121-106	BOLT- 5/16" x 1/2" N.C. flange lock.....	4
12	C31368	CAP – instrument panel (4016) shown	4
12	C33488	CAP - instrument panel (3016PS, 3018PS, 3020PS, 4016PS, 4018PS, 4020PS)	1
13	C14730	SPACER - rear, frame (3016PS, 3018PS, 3020PS).....	2
14	192-23	LOCKWASHER - 1/2"	4
15	113-424	BOLT - 1/2" - 13 x 1" transaxle mounting.....	UAR
15	166-85	BOLT - 1/2" x 1", 12 Pt. flange.....	UAR
16	138-2073	PIN - roll 3/16" x 1-1/4"	2
17	C16373	PIN - latch	2
18	C31597	SCREW - 11/4" - 20 x 1/2" black	4
18	C33576	SCREW - 1/4" - 20 x 5/16" black	8
19	C30274	LENS - display	1
20	C31359	COVER - access (4016) shown.....	1
20	C33548	COVER - access (3016PS, 3018PS, 3020PS, 4016PS, 4018PS, 4020PS)	1
21	187-1036	SCREW - 1/4" - 20 x 1/2" self tap (4016).....	2
21	C33576	SCREW - 1/4" - 20 x 5/16" black (3016PS, 3018PS, 3020PS 4016PS, 4018PS, 4020PS)	3
22	C31967	SCREEN - tower side.....	2
23	C31369	PAN - belly (4016) shown.....	1
23	C33580	PAN - belly (3016PS, 3018PS, 3020PS, 4016PS, 4018PS, 4020PS)	1
24	C35067	RETAINER - belly pan 1"	6
24	NSS	RETAINER - belly pan short (use C35067 cut to length)	1

FRAME, FOOTPADS AND BELLY PAN



MODEL 3016PS, 3018PS, 3020PS, 4016, 4016PS, 401BPS, 4020PS COMPACT TRACTORS

INDEX

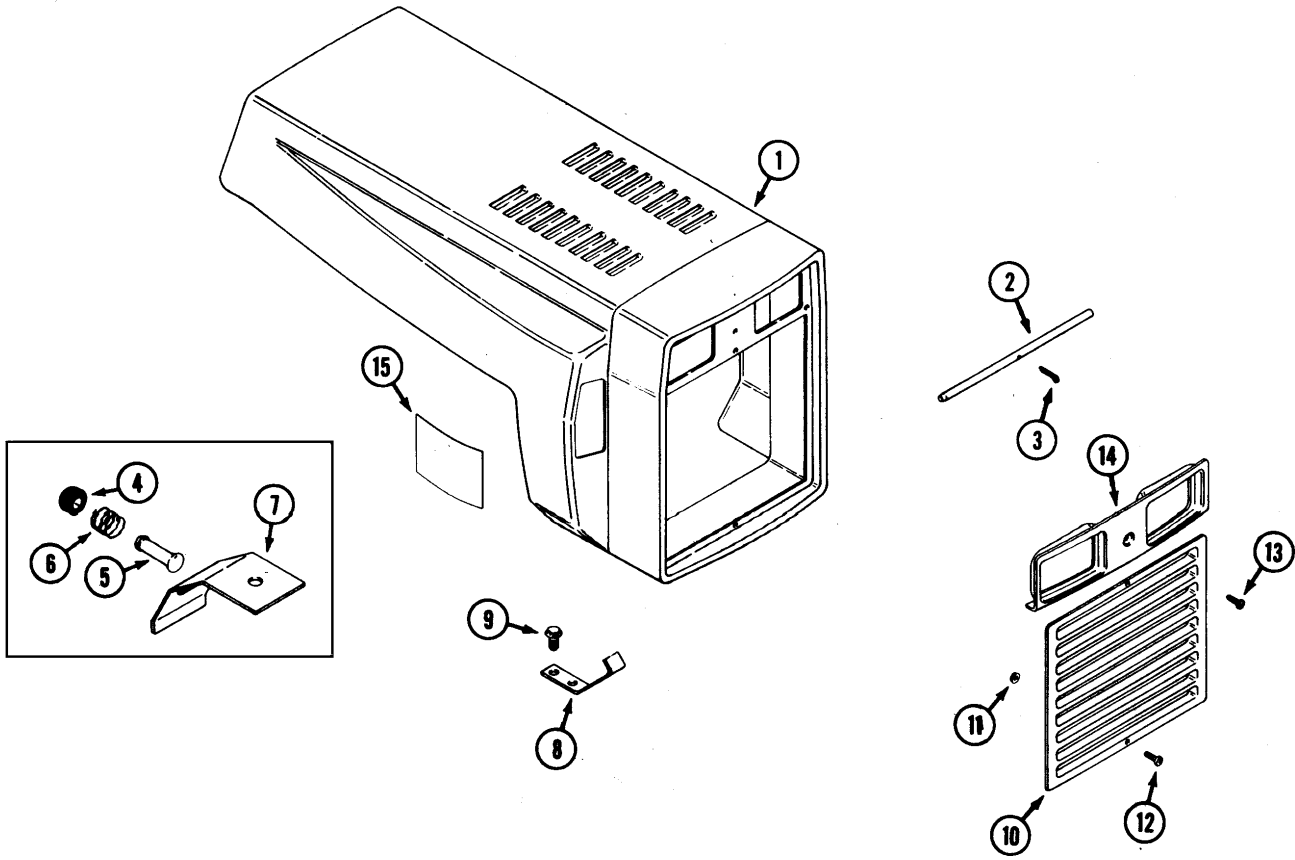
FRAME, FOOT PADS AND BELLY PAN

BEFORE PIN #'s

3018PS - PIN 14181900 and after
4020PS - PIN 14184000 and after

REF.	PART NO.	DESCRIPTION	REQ'D
1	C44830	FRAME - main (3018PS).....	1
1	C44831	FRAME - main (4020PS).....	1
2	C31610	SHIELD - oil tank.....	1
3	C24137	SPRING - latch.....	1
4	C22023	HINGE - frame	2
5	131-1318	NUT - lock 1/2" N.F.	2
6	C27508	PIN - attachment	2
7	131-1352	NUT - lock 3/8" N.C. flange	4
9	113-233	BOLT - 3/8" - 16 x 1-3/4"	4
10	C37132	FOOTREST L.H. (3018PS)	1
10	C37134	FOOTREST R.H. (3018PS) shown	1
10	C37136	FOOTREST L.H. (4020PS)	1
10	C37138	FOOTREST R.H. (4020PS).....	1
11	121-106	BOLT - 5/16" x 1/2" N.C. flange lock.....	4
12	C37167	CAP - instrument panel	1
13	C14730	SPACER - rear, frame.....	2
14	192-23	LOCKWASHER - 1/2"	4
15	113-424	BOLT - 1/2" - 13 x 1" transaxle mounting.....	UAR
15	166-85	BOLT - 1/2" x 1", 12 pt. flange	UAR
16	138-2073	PIN - roll 3/16" x 1-1/4"	2
17	C16373	PIN - latch	2
18	C31597	SCREW - 1/4" - 20 x 1/2" black	4
18	C33576	SCREW - 1/4" - 20 x 5/16" black	8
19	C30274	LENS - display	1
20	C33548	COVER - access	1
21	C33576	SCREW - 1/4" - 20 x 5/16" black	3
22	C31967	SCREEN - tower side.....	2
23	C33580	PAN - belly	1
24	C35067	RETAINER - belly pan 1"	5
24	NSS	RETAINER - belly pan 3/8" (use C35067 cut to length)	1
25	C45049	CUSHION - L.H.....	2
25	C15410	CUSHION - R.H	2
26	C45050	WASHER - L.H.....	2
26	195-2029	WASHER - R.H	2
27	195-520	WASHER - 5/16"	2
28	192-20	LOCKWASHER - 5/16"	2
29	113-101	BOLT - 5/16" - 18 x 1/2"	2
30	C37140	PAD - footrest L.H.....	1
30	C37141	PAD - footrest R.H. (shown)	1

HOOD AND GRILLE



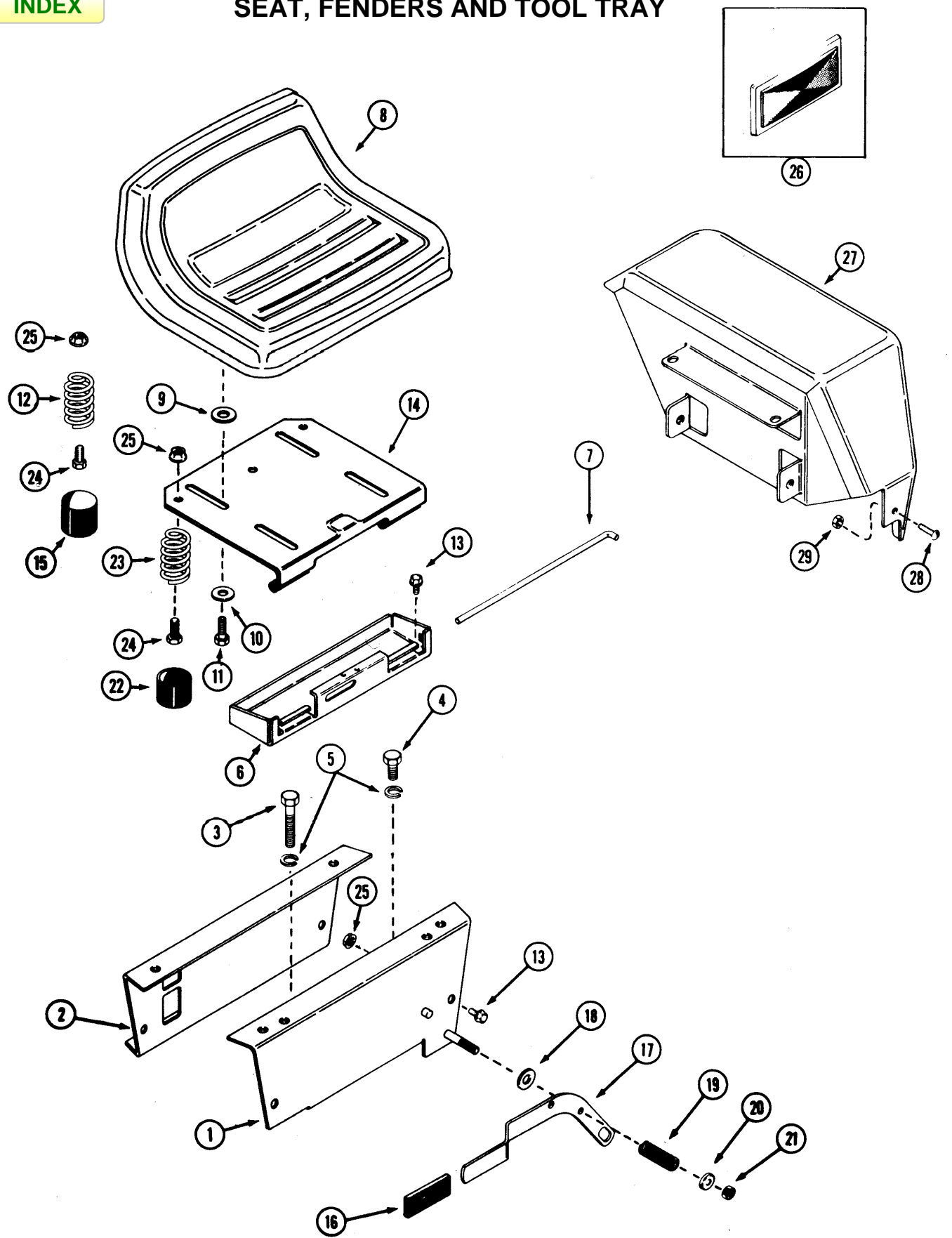
MODEL 3016PS, 3018PS, 3020PS, 4016, 4016PS, 4018PS, 4020PS COMPACT TRACTORS

INDEX

HOOD AND GRILLE

REF.	PART NO.	DESCRIPTION	REQ'D
1	C31353	HOOD	1
	C37312	HINGE-hood (not shown) is welded to hood.....	1
2	C16362	ROD - hood hinge	1
3	132-334	PIN - cotter 1/8" x 3/4"	1
4	C29314	BUTTON – push, hood release	1
5	C30126	ROD - push, hood release.....	1
6	C30004	SPRING - release	1
7	C33467	LATCH - hood	1
8	C31611	BRACKET – hood stop.....	2
9	121-106	BOLT - 5/16" –18 x 1/2" flangelock.....	4
10	C45043	GRILLE	1
11	131-934	NUT - 1/4" - 20 flange lock	2
12	C31597	SCREW - 1/4" – 20 x 1/2" black	2
13	187-1328	SCREW - #8 - 18 x 3/8".....	1
14	C31366	SHROUD - headlight.....	1
15	C31612	SHIELD - heat.....	1

SEAT, FENDERS AND TOOL TRAY



MODEL 3016PS, 3018PS, 3020PS, 4016, 4016PS, 4018PS, 4020PS COMPACT TRACTORS

INDEX

SEAT, FENDERS AND TOOL TRAY

AFTER PIN #'s

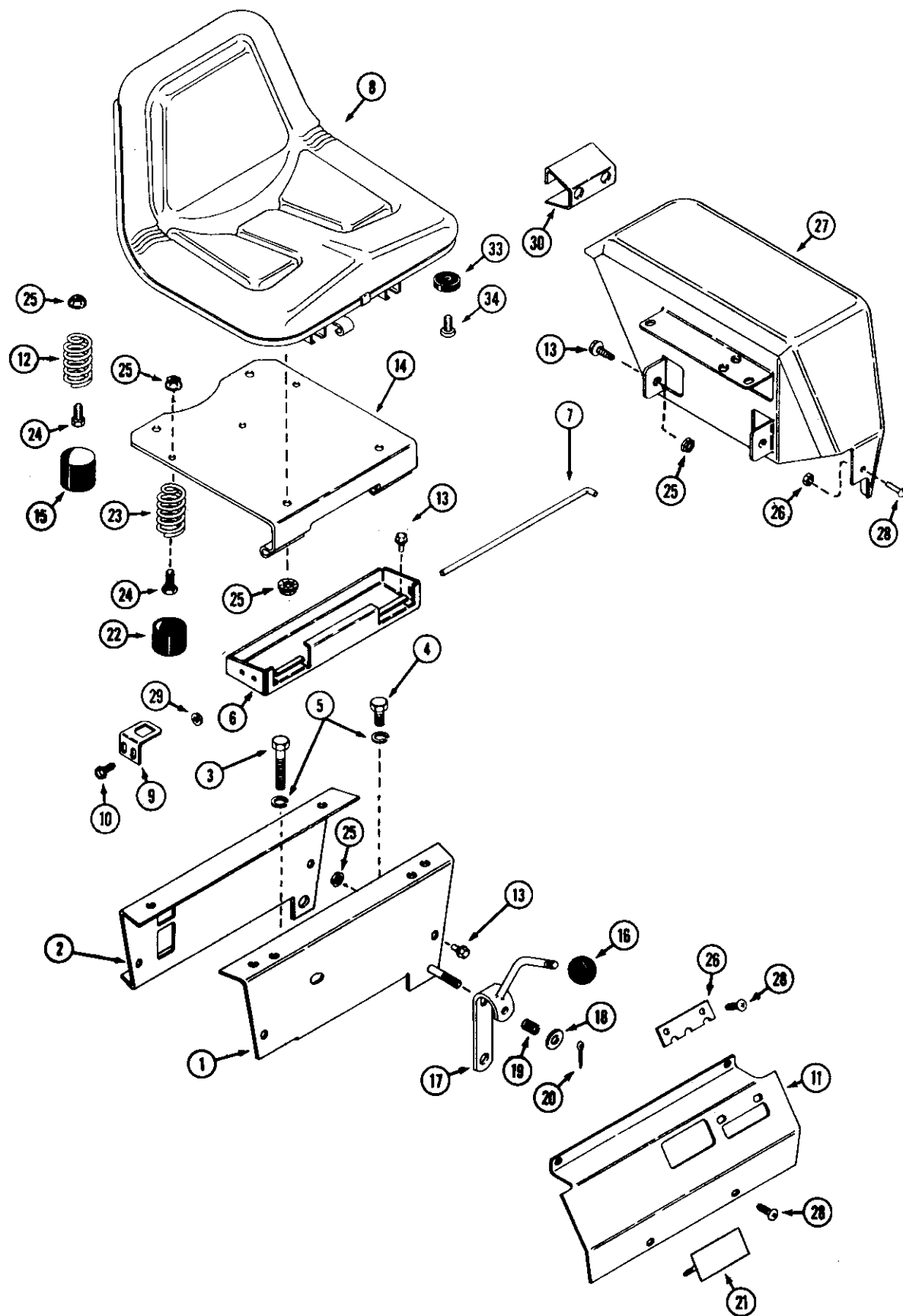
3016PS, 3020PS, 4016, 4016PS, 4018PS - All

3018PS - before PIN 14181900

4020PS - before PIN 14184000

REF.	PARTNO.	DESCRIPTION	REQ'D
1	C31020	SUPPORT - seat, front shown (3016PS, 3018PS, 3020PS).....	1
1	C31021	SUPPORT - seat, front (4016, 4016PS, 4018PS, 4020PS).....	1
2	C26827	SUPPORT - seat, rear (3016PS, 3018PS, 3020PS).....	1
2	C27224	SUPPORT - seat, rear (4016, 4016PS, 4018PS, 4020PS).....	1
3	113-427	BOLT - 1/2" x 3-1/4" (3016PS, 3018PS, 3020PS).....	2
3	113-441	BOLT - 1/2" - 2 -1/4" N.C.hex (4016,4016PS,4018PS,4020PS).....	2
4	113-424	BOLT - 1/2" x 1" N.C. hex.....	1
4	113-118	BOLT - 5/16" x 5/8".....	1
5	192-20	LOCKWASHER - 5/16".....	1
5	192-23	LOCKWASHER - 1/2".....	4
6	C31004	TRAY - tool.....	1
7	C16429	PIN - seat hinge.....	1
8	C30071	SEAT - shown (black) (3016PS, 3018PS, 3020PS).....	1
8	C30066	SEAT - black (4016, 4016PS, 4018PS, 4020PS).....	1
9	C29812	WASHER - special.....	4
10	195-2175	WASHER - 5/16" x 1-1/4" OD, zinc.....	4
11	113-102	BOLT - 5/16" x 3/4".....	4
12	C31006	SPRING - seat switch.....	1
13	121-106	BOLT - 5/16" x 1/2" flangelock.....	10
14	C33474	HINGE ASSEMBLY - seat.....	1
15	C26526	CAP - spring.....	1
16	C14728	GRIP - shift lever.....	1
17	C27594	LEVER - shift.....	1
18	195-525	WASHER - 7/16".....	1
19	C17216	SPRING - shift lever.....	1
20	C30489	WASHER.....	1
21	131-1216	NUT - lock 3/8" N.C.hex.....	1
22	C29305	CAP - spring.....	2
23	C29306	SPRING - seat.....	2
24	113-102	BOLT - 5/16" - 18 x 3/4".....	3
25	131-911	NUT - 5/16" - 18 flangelock.....	7
26	C30942	REFLECTOR - red, rear fender.....	2
27	C32386	FENDER - R.H. (3016PS, 3018PS, 3020PS).....	1
27	C32385	FENDER - LH. shown (3016PS, 3018PS, 3020PS).....	1
27	C32388	FENDER - R.H. (4016, 4016PS, 4018PS, 4020PS).....	1
27	C32387	FENDER - L.H. (4016, 4016PS, 4018PS, 4020PS).....	1
28	182-547	SCREW - 1/4" - 20 x 1/2".....	2
29	131-934	NUT - 1/4".....	2

SEAT, FENDER AND TOOL TRAY



MODEL 3016PS, 3018PS, 3020PS, 4016, 4016PS, 4018PS, 4020PS COMPACT TRACTORS

INDEX

SEAT, FENDER AND TOOL TRAY

BEFORE PIN #'s

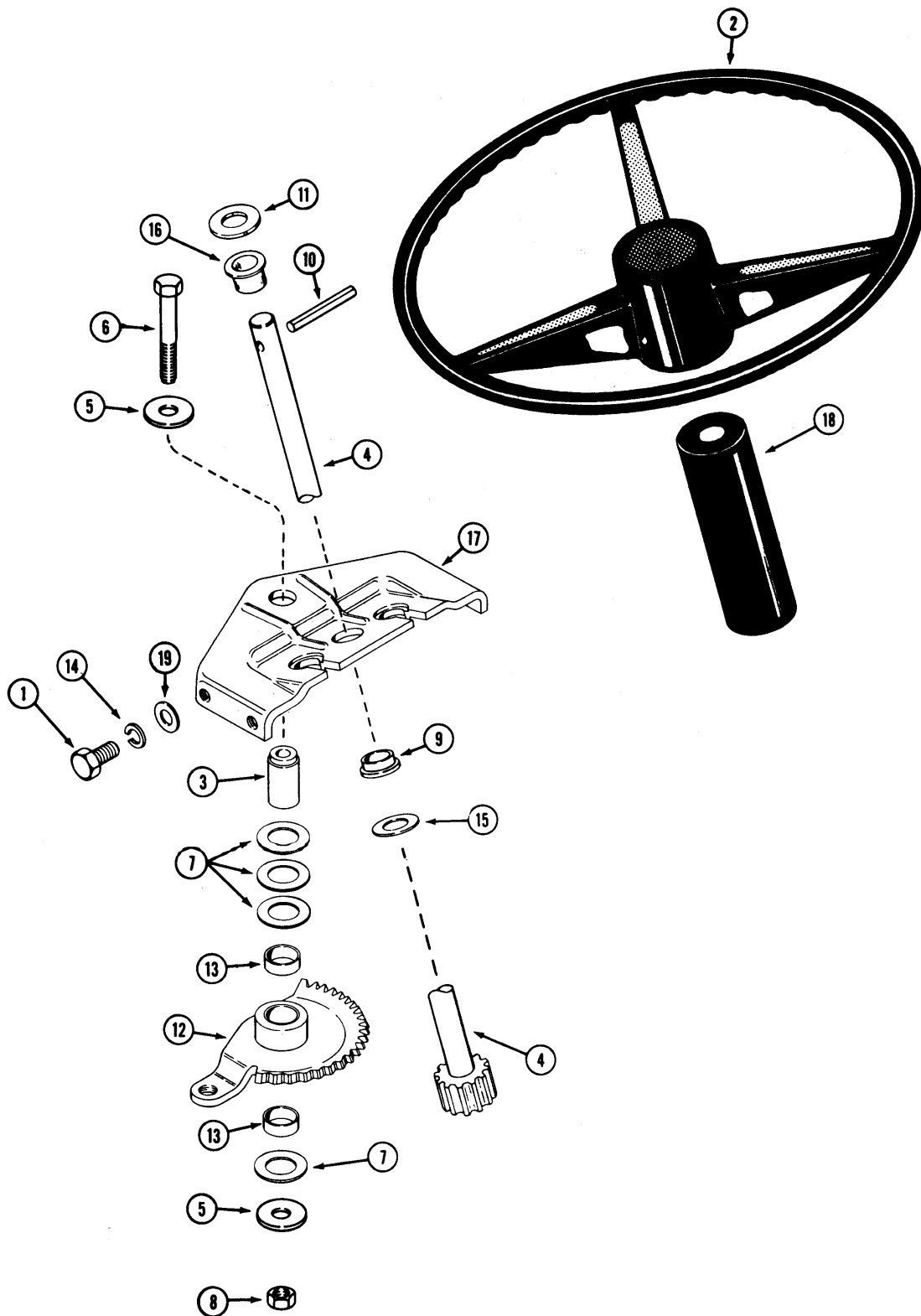
Use PIN and AFTER:

3018PS - use PIN 14181900 and after

4020PS - use Pin 14184000 and after

REF.	PART NO.	DESCRIPTION	REQ'D
1	C44925	SUPPORT - seat, front (3018PS).....	1
1	C44926	SUPPORT - seat, front (4020PS).....	1
2	C37266	SUPPORT - seat, rear (4020PS).....	1
2	C37265	SUPPORT-seat, rear (3018PS).....	2
3	113-427	BOLT - 1/2" x 3 -1/4" (3018PS).....	2
3	113- 441	BOLT - 1/2" x 2 -1/4" (4020PS).....	2
4	113-424	BOLT - 1/2" x 1" N.C. hex.....	1
4	113-118	BOLT - 5/16" x 5/8".....	1
5	192-20	LOCKWASHER - 5/16".....	1
5	192-23	LOCKWASHER - 1/2".....	4
6	C37017	TRAY - tool.....	1
7	C16429	PIN - seat hinge.....	1
8	C44982	SEAT - operator's.....	1
	C37848	KIT – Rail.....	1
9	C37299	BRACKET - switch mounting.....	1
10	113-2	BOLT - 1/4" - 20 x 5/8".....	2
11	C44929	COVER - shift lever (3018PS).....	1
11	C44930	COVER - shift lever (4020PS).....	1
12	C37462	SPRING - seat switch.....	1
13	121-106	BOLT - 5/16" x 1/2" flange lock.....	10
14	C37152	HINGE ASSEMBLY - seat.....	1
15	C26526	CAP - spring.....	1
16	C10487	KNOB - shift lever.....	1
17	C44931	LEVER - shift (3018PS).....	1
17	C44932	LEVER - shift (4020PS).....	1
18	195-525	WASHER - 7/16".....	1
19	C10482	SPRING - shift lever.....	1
20	132-310	PIN - cotter 1/8" x 1".....	1
21	C37460	COVER - plate.....	1
22	C29305	CAP - spring.....	2
23	C29306	SPRING - seat.....	2
24	113-102	BOLT - 5/16" - 18 x 3/4".....	3
25	131-911	NUT - 5/16" - 18 flange lock.....	11
26	C37428	PLATE - shift pattern (shown) (3018PS).....	1
26	C37430	PLATE - shift patter (4020PS).....	1
27	C37154	FENDER - R.H. (3018PS).....	1
27	C37153	FENDER - L.H. shown (3018PS).....	1
27	C37156	FENDER - R.H. (4020PS).....	1
27	C37155	FENDER - L.H. (4020PS).....	1
28	C31597	SCREW - 1/4" - 20 x 1/2".....	6
29	131-934	NUT - 1/4".....	6
30	C42155	PROTECTOR - tail light.....	2
33	C37850	CUSHION – Seat Rail.....	4
34	C42056	SCREW – Phillips, Seat rail mounting.....	4

MANUAL STEERING (4016)



MODEL 3016PS, 3018PS, 3020PS, 4016, 4016PS, 4018PS, 4020PS COMPACT TRACTORS

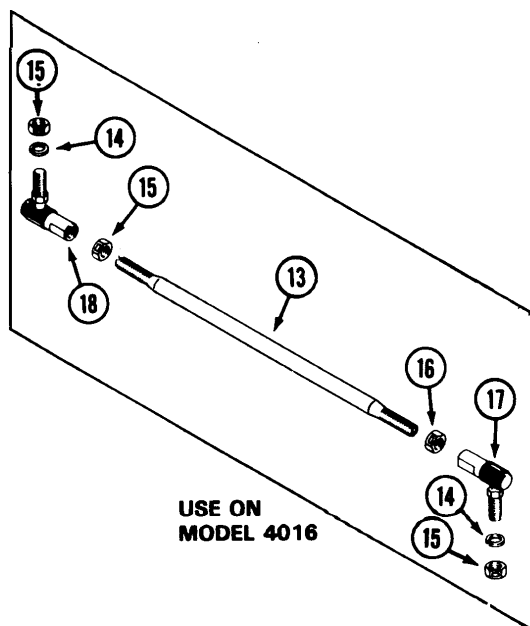
INDEX

MANUAL STEERING (4016)

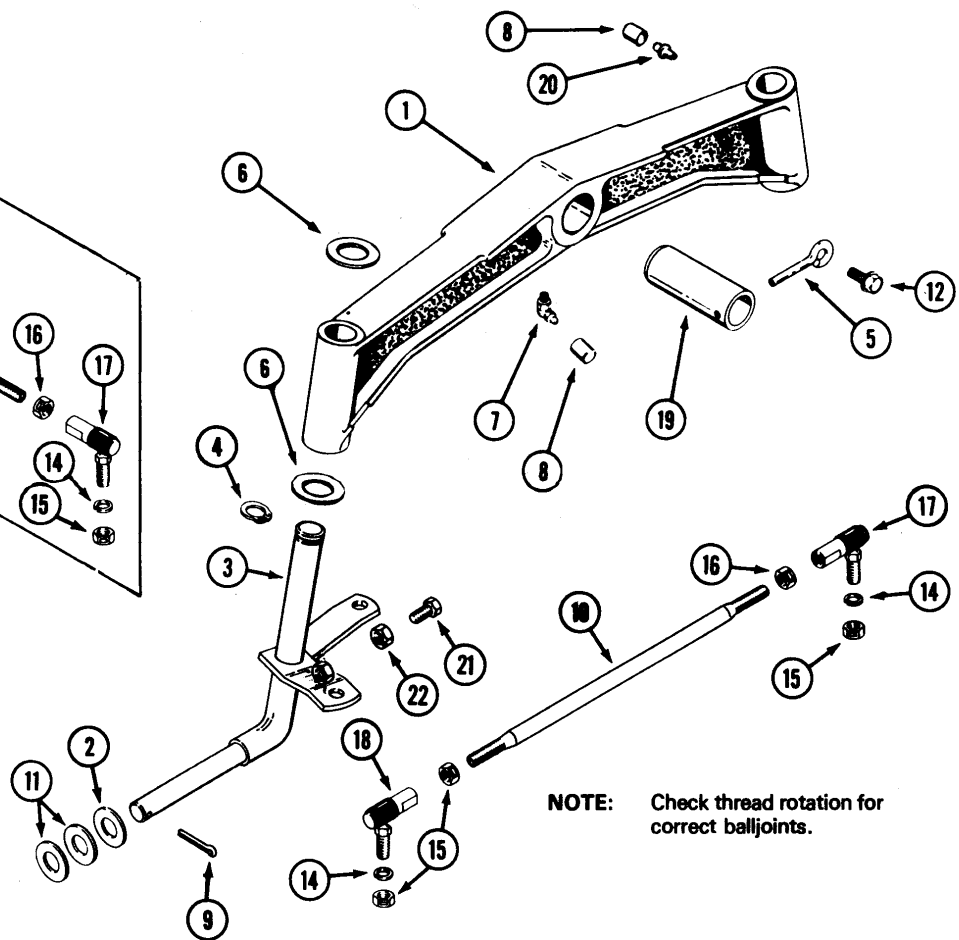
REF.	PART NO.	DESCRIPTION	REQ'D
1	113-206	BOLT - 3/8" x 3/4" N.C. hex.....	4
2	C26325	WHEEL - steering	1
3	C29044	PIN - pivot	1
4	C33940	SHAFT - steering	1
5	C29812	WASHER - 3/8" x 1.4"	2
6	113-241	BOLT - 3/8" - 16 x 3"	1
7	C14201	WASHER - shim.....	4
8	131-1352	NUT - 3/8" - 16 hex lock (tighten to a torque of 45 ft. lbs.)	1
9	C27501	BUSHING.....	1
10	138-143	PIN - roll 1/4"-2-1/4".....	1
11	195-541	WASHER - 5/8"	UAR
11	195-2206	WASHER - shim .060"	UAR
12	C33309	GEAR - steering	1
13	C33308	BUSHING - sleeve	2
14	192-21	LOCKWASHER - 3/8"	4
15	195-2069	WASHER - 5/8" zinc plated	1
16	C15096	BUSHING - flanged nylon	1
17	C44378	SUPPORT - steering gear (includes item 9)	1
18	C33945	TUBE - steering.....	1
19	195-103	WASHER - 3/8"	2

INDEX

FRONT AXLE



**USE ON
MODEL 4016**



NOTE: Check thread rotation for correct balljoints.

INDEX

FRONT AXLE

REF.	PART NO.	DESCRIPTION	REQ'D
1	C18812	AXLE - front (3016PS, 3018PS, 3020PS).....	1
1	C40687	AXLE - front shown (4016, 4016PS, 4018PS, 4020PS)	1
2	195-545	WASHER - spacer	2
3	C45088	SPINDLE - R.H. (3016PS, 3018PS, 3020PS).....	1
3	C31341	SPINDLE - R.H. shown (4016)	1
3	C45086	SPINDLE - L.H. (3016PS, 3018PS, 3020PS)	1
3	C31340 *	SPINDLE - L.H. (4016, 4016PS, 4018PS, 4020PS)	1
3	C33537 *	SPINDLE - R.H. (4016PS, 4018PS, 4020PS).....	1
3	C40690 **	SPINDLE - L.H. (4020PS)	1
3	C40688 **	SPINDLE - R.H. (4020PS) shown	1
4	C27902	RING - retaining, spindle (4016, 4016PS, 4018PS, 4020PS)	2
4	C28232	RING - retaining, spindle (3016PS, 3018PS, 3020PS)	2
5	C22278	PIN - retaining, axle pivot	1
6	C11906	WASHER - thrust (3016PS, 3018PS, 3020PS)	4
6	C13716	WASHER - thrust (4016, 4016PS, 4018PS, 4020PS).....	4
7	219-404	FITTING - lubrication.....	3
8	C13106	COVER - lubrication fitting.....	3
9	132-311	PIN - cotter 5/32" x 1-1/4".....	2
10	C25855	TIE ROD - (4016, 4016PS, 4018PS, 4020PS).....	1
10	C25856	TIE ROD - (3016PS, 3018PS, 3020PS)	1
11	C28226	WASHER - wheel spacer	UAR
12	187-1910	BOLT - 3/8" - 16 x 3/4" N.C. hex head.....	1
13	C44806	LINK - drag (4016)	1
14	192-23	LOCKWASHER - 1/2" zinc	4
15	129-165	NUT - 1/2" N.F. R.H. thread, lock	6
16	129-365	NUT - 1/2" N.F. L.H. thread, lock	2
17	C44641	BALL JOINT - 1/2" L.H. thread	2
18	C44640	BALL JOINT - 1/2" R.H. thread.....	2
19	C22568	PIN - axle pivot.....	1
20	219-17	FITTING - lubrication.....	2
21	113-208	BOLT - 3/8" - 16 x 1-1/4"	2
22	129-103	NUT - 3/8" - 16	2

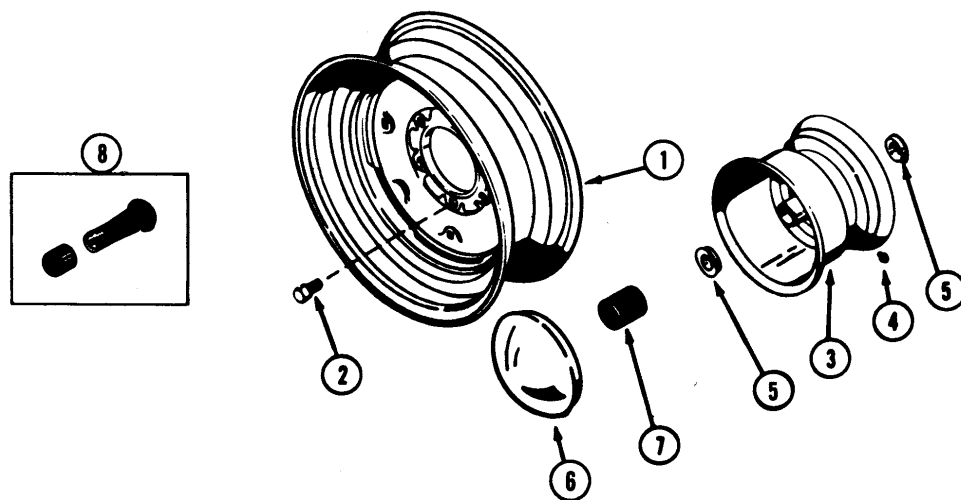
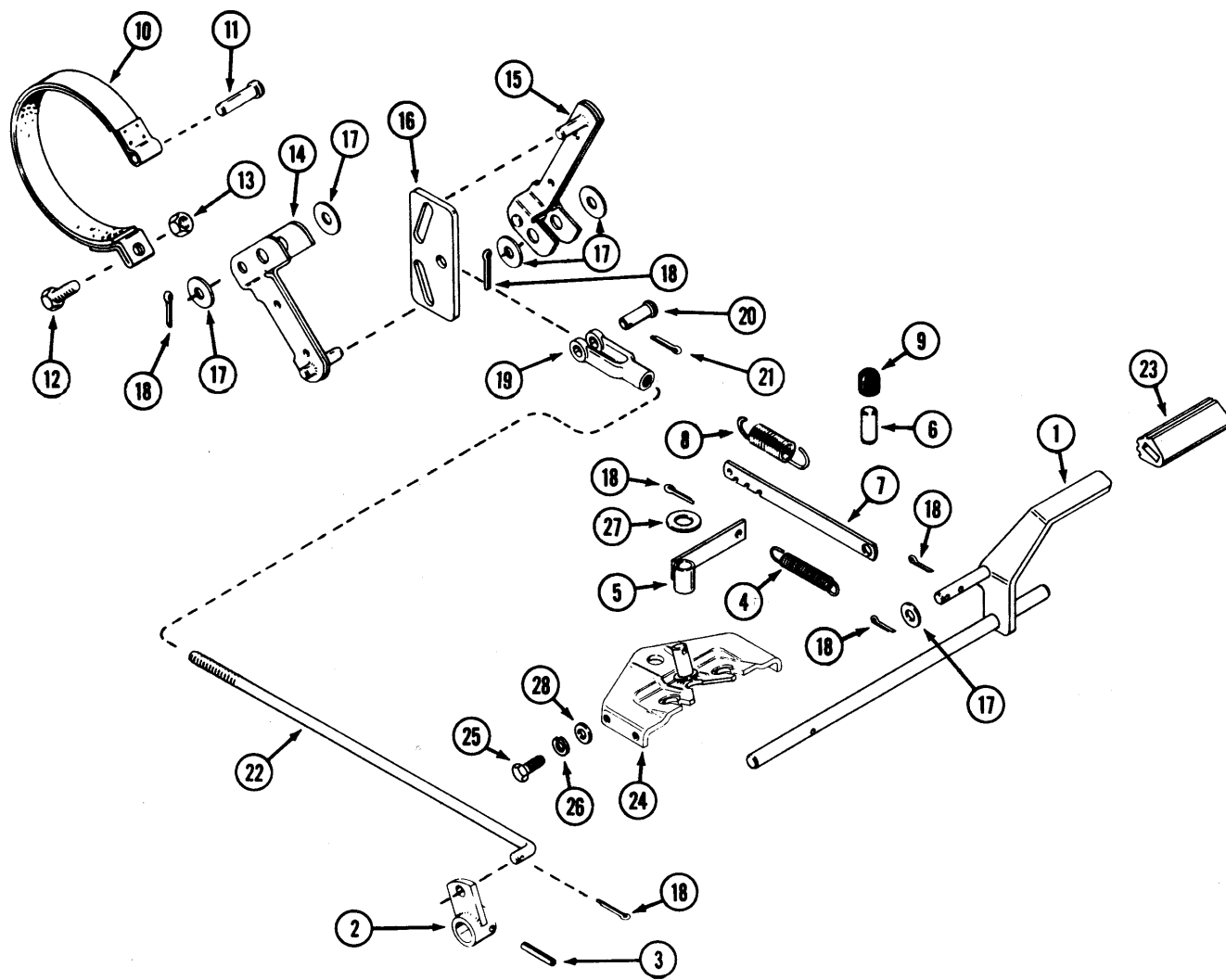
*Use before PIN:

**Use PIN and after:

4020 PS - 14180301

All Other models are before PIN

BRAKE ASSEMBLY



INDEX

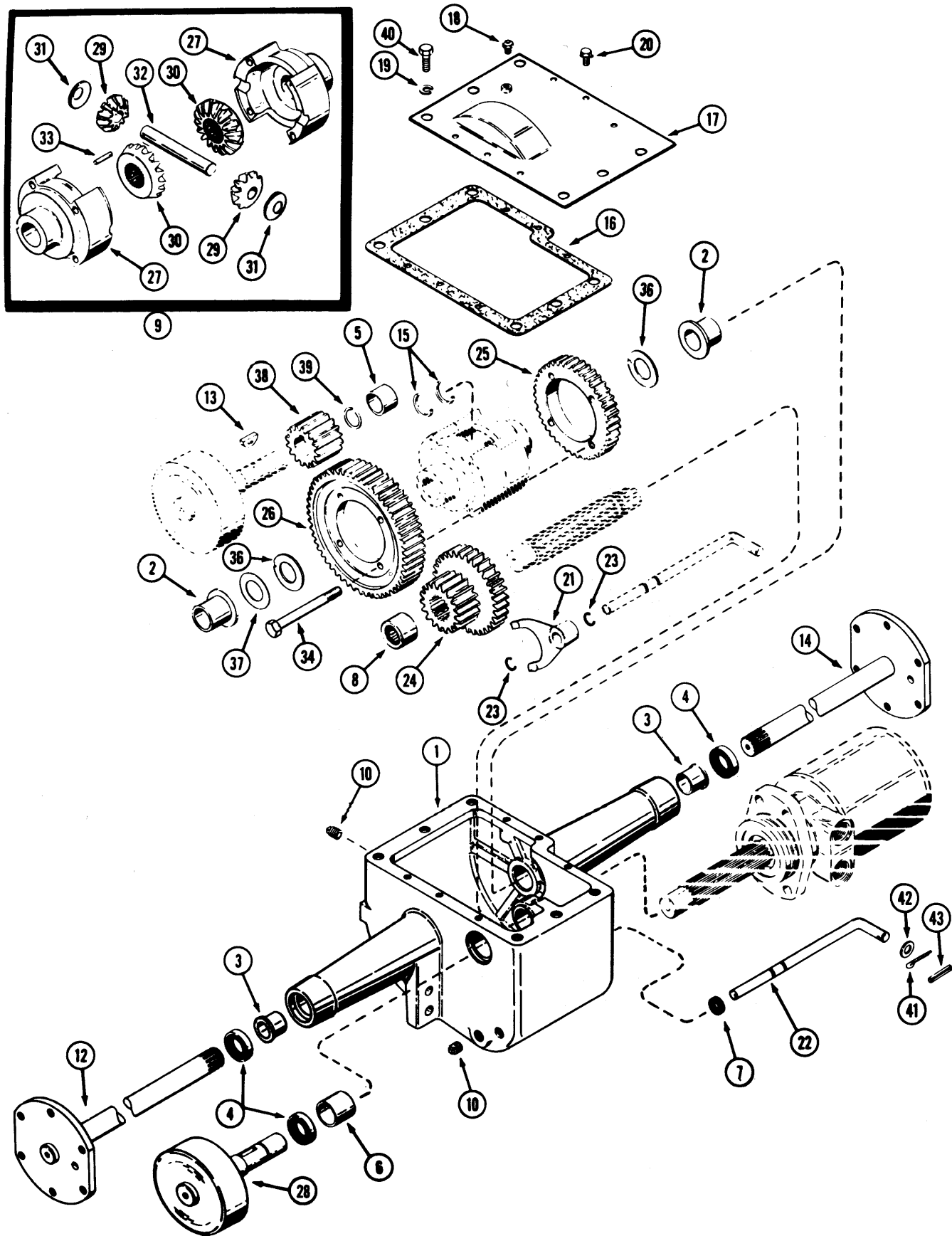
BRAKE ASSEMBLY

REF.	PART NO.	DESCRIPTION	REQ'D
1	C33942	PEDAL - brake actuating.....	1
2	C26381	ARM - brake pedal	1
3	138-2073	PIN - roll3/16"xl-1/4"	1
4	C31660	SPRING - return.....	1
5	C31662	GUIDE - neutral return (shown) 4016	1
5	C33759	GUIDE - neutral return (3016PS, 3018PS, 3020PS, 4016PS, 4018PS, 4020PS)	1
6	C31604	ACCUATOR - parking brake	1
7	C31661	LEVER - brake lock.....	1
8	C21942	SPRING - brake lock.....	1
9	C31605	CAP - actuator.....	1
10	C33427	BAND - brake.....	1
11	C23910	PIN - clevis.....	1
12	113-2262	BOLT - 3/8" - 16 x 1-1/2" hex.....	1
13	129-143	NUT - 3/8" - 16 special	1
14	C23899	ARM - brake.....	1
15	C24761	ARM - brake (includes adjustment nut).....	1
16	C40646	GUIDE - brake actuator.....	1
17	195-533	WASHER - .531" I.D.....	5
18	132-310	PIN - cotter 1/8" x 1.0"	5
19	C28978	CLEVIS	1
20	141-4	PIN - davis	1
21	132-321	PIN - cotter.....	1
22	C31993	ROD - brake (4016, 4016PS, 4018PS, 4020PS)	1
22	C31992	ROD - brake (3016PS, 3018PS, 3020PS).....	1
23	C31975	PAD - brake pedal	1
24	C44380	BRACKET - support (3016PS, 3018PS, 3020PS, 4016PS, 4018PS, 4020PS)	1
25	113-206	BOLT - 3/8" - 16 x 3/4".....	4
26	192-21	LOCKWASHER - 3/8"	4
27	195-2063	WASHER	1
28	195-103	WASHER - 3/8"	2

FRONT AND REAR WHEELS

1	C30913	WHEEL - rear, 5 bolt (3016PS, 3018PS, 3020PS) for 23 x 8.50 - 12 tire	2
1	C30917	WHEEL - rear, 6 bolt (4016, 4016PS, 4018PS, 4020PS) shown	2
1	C30922	WHEEL - rear, 5 bolt (3016PS, 3018PS, 3020PS) for 23 X 10.50 - 12 tire	2
2	C27763	BOLT - rear wheel (4016, 4016PS, 4018PS, 4020PS)	12
2	C10314	BOLT - rear wheel (3016PS, 3018PS, 3020PS)	10
3	C30912	WHEEL - front (includes bearings)	2
4	219-403	FITTING - lubrication.....	2
5	C44499	BEARING - wheel	2
6	C28965	CAP - hub, front wheel (optional).....	2
7	C44478	CAP - plastic, front	2
8	C28236	STEM - valve.....	4
	C13106	COVER - lubrication fitting.....	2

TRANSMISSION AND FINAL DRIVE



MODEL 3016PS, 3018PS, 3020PS, 4016, 4016PS, 4018PS, 4020PS COMPACT TRACTORS

INDEX

TRANSMISSION AND FINAL DRIVE

REF.	PART NO.	DESCRIPTION	REQ'D
	C47666 +	CASE ASSEMBLY - transmission (includes bearings & seals only)	1
	C47668 + +	CASE ASSEMBLY - transmission (includes bearings & seals only)	1
1	NSS	CASE - transmission (see above)	1
2	C12713	BEARING - flange	2
3	C24804	BEARING - flange	2
4	C24803	SEAL - shaft	3
5	C13241	BEARING - sleeve	1
6	C13385	BEARING - sleeve	1
7	C13266	SEAL - shift rod	1
8	C28281	BEARING - roller	1
9	C30029 *	DIFFERENTIAL ASSEMBLY, 20° PA (also includes C30030, C30031, C12552)	1
9	C36902 * *	DIFFERENTIAL ASSEMBLY, 20° PA (also includes C36903, C30031, C12552)	1
9	C46929 * * *	DIFFERENTIAL ASSEMBLY, 25° PA	1
10	221-3	PLUG - filler and drain 3/8"	3
12	C16699	SHAFT - axle, short R.H. (3000 Series)	1
12	C22638	SHAFT - axle, short R.H. shown (4000 Series)	1
13	126-128	KEY - Woodruff, brake idler #18, 1/4" x 1-1/8"	1
14	C16700	SHAFT - axle, long L.H. (3000 Series)	1
14	C22637	SHAFT - axle, long L.H. shown (4000 Series)	1
15	C26342	RING - retainer, axle	2
16	C13196	GASKET - transmission cover	1
17	C36935	COVER transmission	1
18	C28241	BREATHER - transmission	1
19	192-23	LOCKWASHER - 1/2"	4
20	121- 21	BOLT - 1/4" x 1/2" N.C. hex lock	6
21	C12725	FORK-shift	1
22	C37222	ROD - gear shift	1
23	C14168	RING - retaining	2
24	C14644 *	GEAR - cluster input, 18 tooth & 32 tooth, 20° PA	1
24	C36901 * *	GEAR - cluster input 18 tooth & 27 tooth, 20° PA	UAR
24	C46928 * * *	GEAR - cluster input 18 tooth & 27 tooth, 25° PA	UAR
25	C30030 *	GEAR - high 41 tooth, 20° PA	1
25	C36903 * *	GEAR - high range, 46 tooth, 20° PA	1
26	C12552 * & * *	GEAR - low 55 tooth, 20° PA (NSS on a 25° PA gear, order assembly (ref # 9)	1
27	NSS	DIFFERENTIAL CASE	1
28	C33305	BRAKE DRUM	1
29	NSS	GEAR - differential pinion	2
30	NSS	GEAR - differential	2
31	NSS	WASHER - pinion thrust	2
32	NSS	PIN - differential	1
33	NSS	PIN - differential pin lock	1
34	C30031	KIT - screw (set of four)	1
36	C12718	WASHER - differential	2
37	C14223	WASHER - spacer	UAR
38	C33417	GEAR - brake idler, 20° PA	1
38	C46927 * * *	GEAR - brake idler, 25° PA	1
39	C14222	RING - retainer, brake idler	1
40	113-424	BOLT - 1/2" - 13 x 1" hex	UAR
40	166-86	BOLT - 1/2" - 13 x 1-1/4"	UAR
41	132-310	PIN - cotter 1/8" x 1"	UAR
42	195-541	WASHER - .656" ID x 1.312 OD	1
43	138-2073	PIN - spiral 3/16" x 1-1/4"	UAR

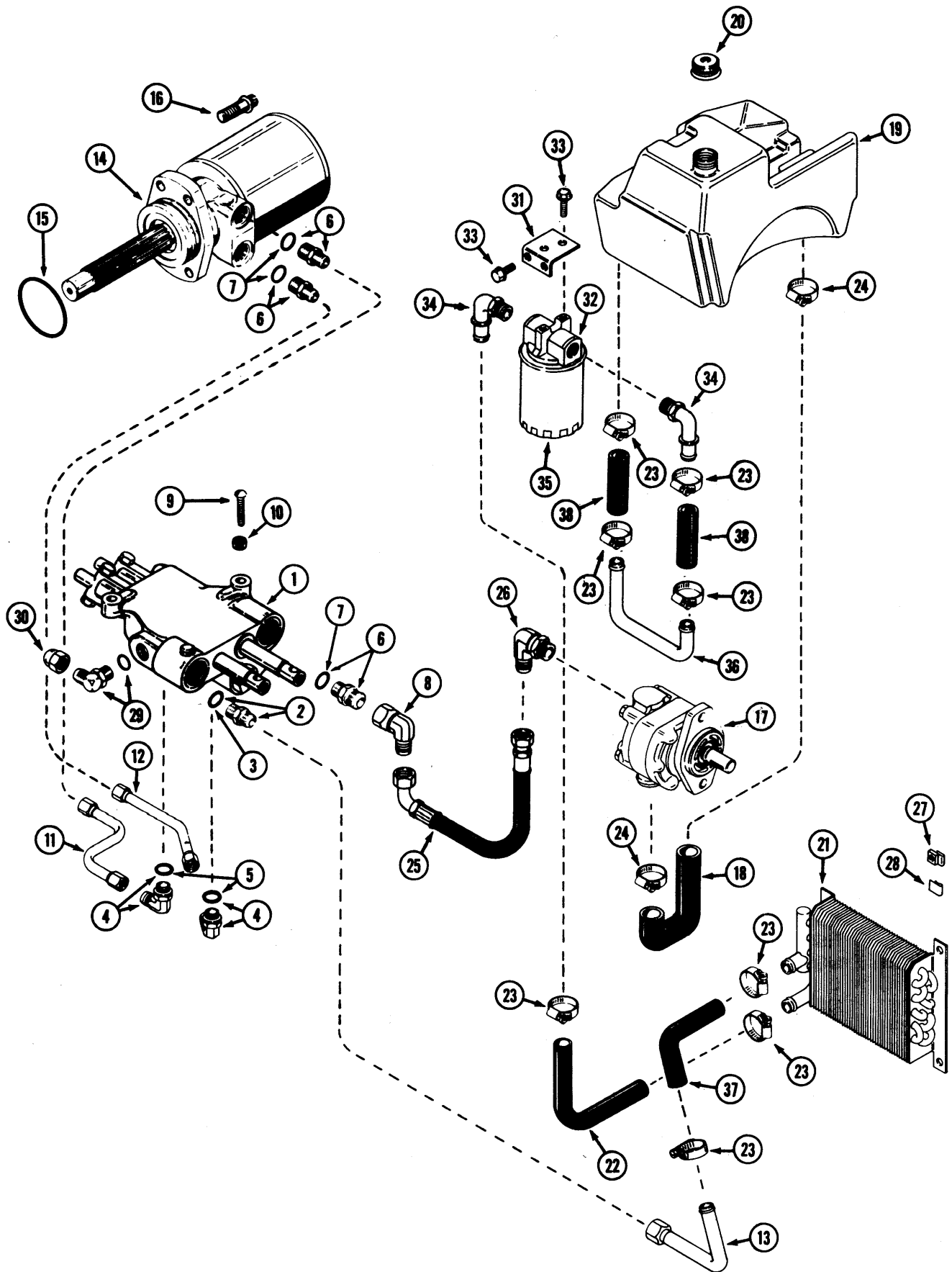
* Use before PIN:
3018PS – 14181900, 4020PS - 14184000

+ Use PIN and After:
All units PIN 17193395 and after

* * Use PIN:
3018PS - 14181900 to 17192412
4020PS - 14184000 to 17192398

+ + All units before PIN 17193395

* * * Use Pin and after:
3018PS – 17192413, 4020PS - 17192399
These are 25° pressure angle gears and must not be
used with 20° PA gears

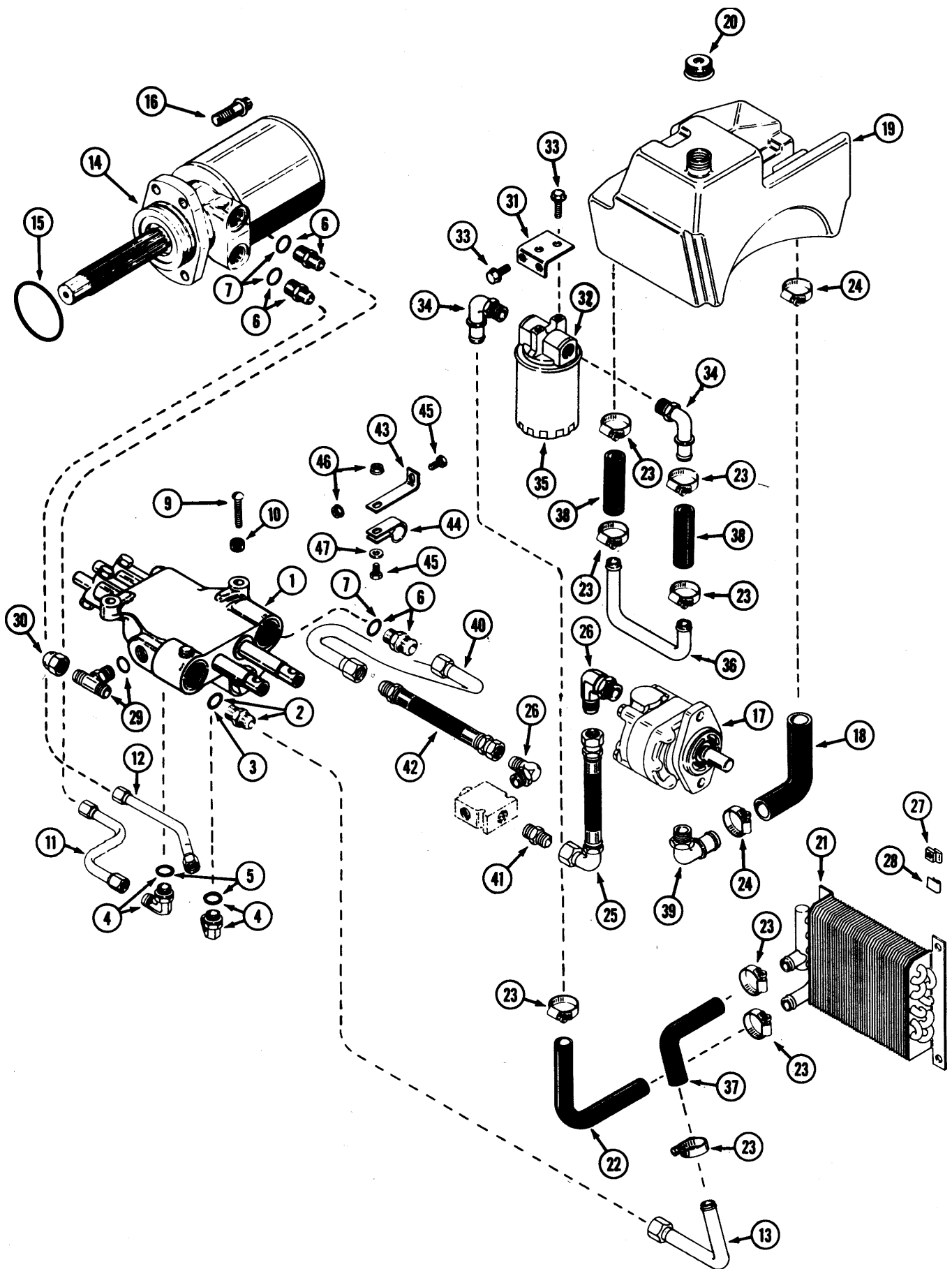


INDEX

**HYDRAULIC SYSTEM
4016**

REF.	PARTNO.	DESCRIPTION	REQ'D
1	C33473	VALVE - control (repairs page 57).....	1
2	218-5065	FITTING - 3/4" x 5/8" "O" ring.....	1
3	218-5007	"O" RING.....	1
4	218-5107	FITTING - 90°elbow	2
5	218-5007	"O" RING.....	1
6	218-5062	FITTING - 5/8" x 7/8" "O" ring.....	3
7	218-5007	"O" RING.....	1
8	218-5232	FITTING - 90° elbow	1
9	C27764	SCREW - 5/16" - 18 x 1-1/4" round head.....	2
10	131-351	NUT - lock 5/16"	2
11	C29657	TUBE - valve to upper motor port.....	1
12	C29658	TUBE - valve to lower motor port.....	1
13	C31435	TUBE - valve "out" to heat exchanger	1
14	C33234	MOTOR - hydraulic (repairs page 55)	1
15	C28949	SEAL - motor to transmission.....	1
16	166-85	SCREW - 1/2"-18 x 1" l2pt. flange	4
17	C31958	PUMP - hydraulic 1/2" shaft (repairs page 53).....	1
18	C33423	HOSE - pump inlet	1
19	C33180	RESERVOIR - oil	1
20	C34175	CAP - reservoir.....	1
21	C31295	EXCHANGER - heat	1
22	C33555	HOSE - formed 90°	1
23	214-254	CLAMP - hose 1-1/4"	8
24	214-14	CLAMP - hose 1-3/8".....	2
25	C31966	HOSE - pump to valve.....	1
26	218-5117	FITTING - 90° elbow	1
27	C31973	"J" NUT - 1/4" - 20	4
28	C31974	"U" Clip - retainer.....	4
29	C33559	FITTING - tee, 3/8" tube x 1/2" - 20	1
30	218-754	CAP - 3/8" tube	UAR
31	C33577	BRACKET - oil filter.....	1
32	C33446	HEAD - oil filter.....	1
33	121-21	BOLT - 1/4" - 20 x 1/2".....	4
34	217-333	FITTING - 90°3/8" NPTF x 3/4" barb stem.....	2
35	C33445	FILTER - oil.....	1
36	C33544	TUBE - filter to tank.....	1
37	C33556	HOSE - formed 90°	1
38	C29697	HOSE - 3/4" x 4"	2

HYDRAULIC SYSTEM



INDEX

HYDRAULIC SYSTEM

3016PS, 3020PS (301BPS before PIN 14181900)
 4016PS, 4018PS, (4020PS before PIN 14184000)

REF.	PART NO.	DESCRIPTION	REQ'D
1	C33473	VALVE - control (repairs page 57).....	1
2	218-5065	FITTING - 3/4" x 5/8".....	1
3	218-5007	"0" RING.....	1
4	218-5107	FITTING - 900 elbow.....	2
5	218-5007	"0" RING.....	1
6	218-5062	FITTING - 5/8" x 7/8" "0" ring.....	UAR
7	218-5007	"0" RING.....	1
9	C27764	SCREW - 5/16" - 18 x 1-1/4" round head.....	2
10	131-351	NUT - lock 5/16".....	2
11	C29655	TUBE - valve to upper motor port (301 6PS, 301 8PS, 3020PS).....	1
11	C29657	TUBE - valve to upper motor port (401 6PS, 401 8PS, 4020PS).....	1
12	C29656	TUBE - valve to lower motor port (301 6PS, 301 8PS, 3020PS).....	1
12	C29658	TUBE - valve to lower motor port (401 6PS, 401BPS, 4020PS).....	1
13	C31435	TUBE - valve "out" to heat exchanger.....	1
14	C30939	MOTOR - hydraulic (repairs page 55) (301 6PS, 301BPS, 3020PS).....	1
14	C33234	MOTOR - hydraulic (401 6PS, 401BPS, 4020PS) (repairs page 55).....	1
15	C28949	SEAL - motor to transmission.....	1
16	166-85	SCREW - 1/2" - 13 x 1" 12 pt. flange.....	4
17	C33579	PUMP - hydraulic 3/4" shaft (repairs page 53).....	1
18	C33551	HOSE - pump inlet.....	1
19	C33180	RESERVOIR-oil.....	1
20	C37093	CAP - reservoir.....	1
21	C31295	EXCHANGER - heat.....	1
22	C33555	HOSE - formed 90°.....	1
23	214-254	CLAMP - hose 1-1/4".....	8
24	214-14	CLAMP - hose 1-3/8".....	2
25	C33557	HOSE - pump to regulator.....	1
26	218-5117	FITTING - 90° elbow.....	2
27	C31973	"J" NUT - 1/4" - 20.....	4
28	C31974	"U" Clip - retainer.....	4
29	C33559	FITTING - tee, 3/8" tube x 1/2" - 20.....	UAR
30	218-754	CAP - 3/8" tube.....	UAR
31	C33577	BRACKET - oil filter.....	1
32	C33446	HEAD - oil filter.....	1
33	121-21	BOLT - 1/4" - 20 x 1/2.....	4
34	217-333	FITTING - 90°3/8" NPTF x 3/4" barb stem.....	2
35	C33445	FILTER - oil.....	1
36	C33544	TUBE - filter to tank.....	1
37	C33556	HOSE - formed 90°.....	1
38	NSS	HOSE - 3/4" x 4" (use C29697 cut to length).....	2
39	217-366	FITTING - 90° 1" hose x 1-1/16" - 20 UNF.....	1
40	C33766	TUBE - hydraulic.....	1
41	C25245	FITTING - hydraulic.....	1
42	C33765	HOSE - regulator valve "by pass" to travel valve.....	1
43	C33834	BRACKET - support.....	1
44	C33218	CLAMP-tube.....	1
45	113- 102	BOLT - 5/16" -18 x 3/4".....	2
46	131- 911	NUT - 5/16" - 18 flange.....	2
47	195- 521	WASHER - 5/16".....	1

INDEX

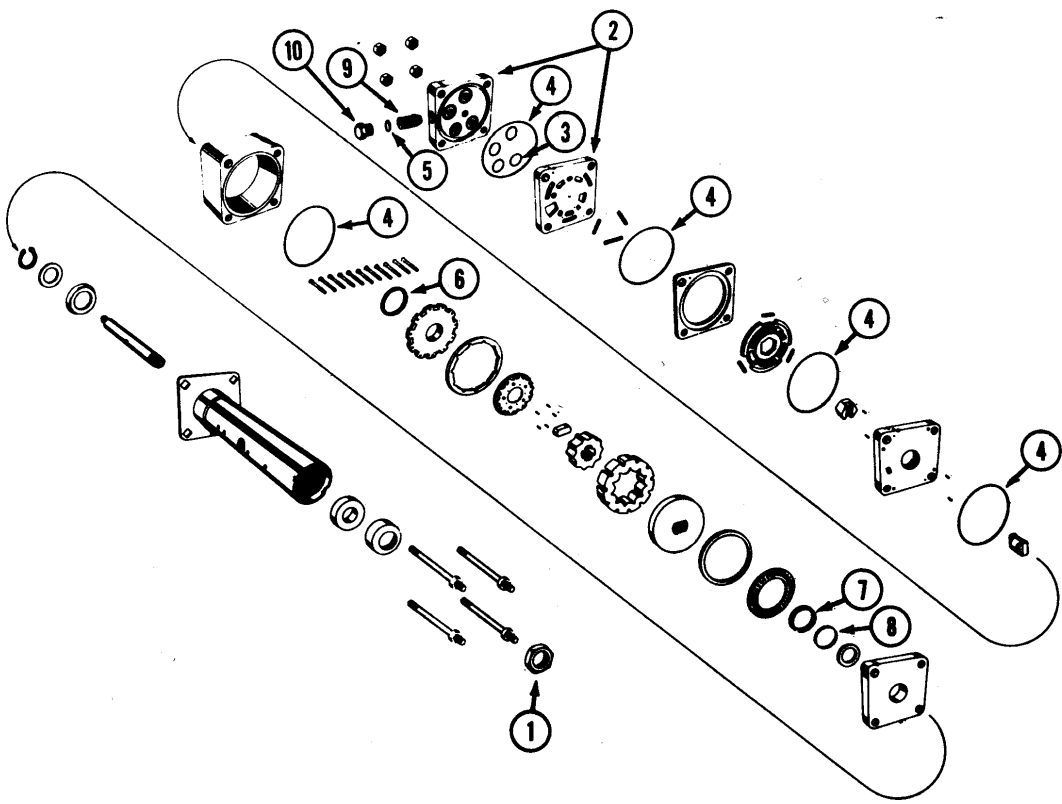
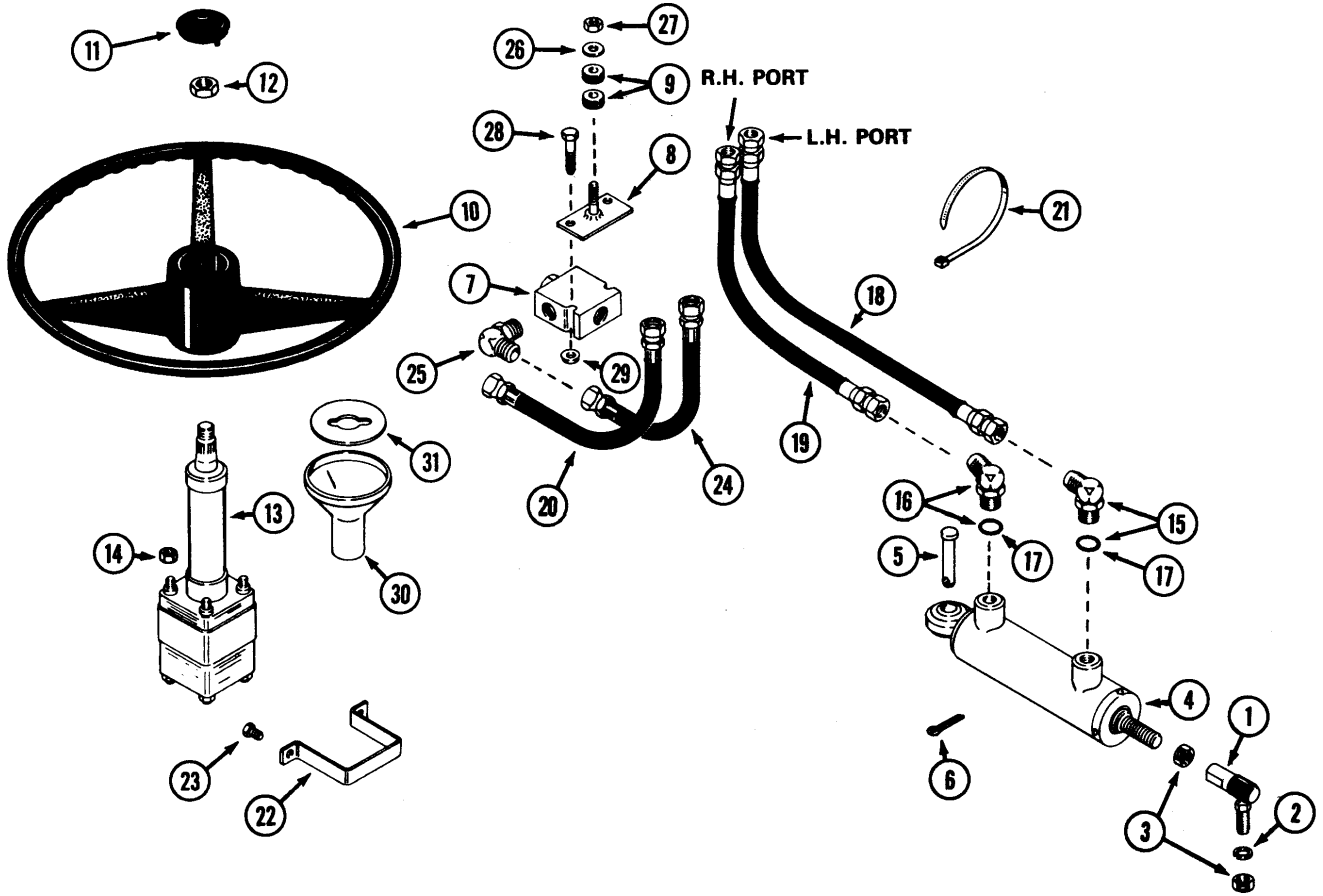
HYDRAULIC SYSTEM

(3018PS PIN 14181900 and after)

(4020PS PIN 14184000 and after)

REF.	PART NO.	DESCRIPTION	REQ'D
1	C33473	VALVE - control (repairs page 57).....	1
2	218-5065	FITTING - 3/4" x 7/8"	1
3	218-5007	"O" RING	1
4	218-5107	FITTING - 900 elbow	2
5	218-5007	"O" RING	1
6	218-5062	FITTING - 5/8" x 7/8" "O" ring.....	UAR
7	218-5007	"O" RING	1
9	C27764	SCREW - 5/16" - 18 x 1-1/4" round head	2
10	131-351	NUT - lock 5/16".....	2
11	C37220	TUBE - valve to upper motor port (3018PS).....	1
11	C29657	TUBE - valve to upper motor port (4020PS).....	1
12	C37221	TUBE - valve to lower motor port (3018PS)	1
12	C29658	TUBE - valve to lower motor port (4020PS)	1
13	C31435	TUBE - valve "out" to heat exchanger	1
14	C30939	MOTOR - hydraulic (repairs page 55) (3018PS).....	1
14	C33234	MOTOR - hydraulic (4020PS) (repairs page 55).....	1
15	C28949	SEAL - motor to transmission.....	1
16	166-86	SCREW - 1/2" - 13 x 1" 12 pt. flange.....	4
17	C33579	PUMP - hydraulic 3/4" shaft (repairs page 53)	1
18	C33551	HOSE - pump inlet.....	1
19	C33180	RESERVOIR - oil.....	1
20	C37093	CAP - reservoir	1
21	C31295	EXCHANGER - heat.....	1
22	C33555	HOSE - formed 90°.....	1
23	214-254	CLAMP - hose 1-1/4"	8
24	214-14	CLAMP - hose 1-3/8"	2
25	C33557	HOSE - pump to regulator	1
26	218-5117	FITTING - 90° elbow.....	2
27	C31973	"J" NUT - 1/4" - 20.....	4
28	C31974	"U" Clip - retainer	4
29	C37425	FITTING 90°, 3/8" x 1/2" - 20.....	UAR
30	218-753	CAP - 1/2" - 20.....	1
31	C33577	BRACKET - oil filter	1
32	C33446	HEAD - oil filter	1
33	121-21	BOLT - 1/4" - 20 x 1/2"	4
34	217-333	FITTING - 90° 3/8" NPTF x 3/4" barb stem	2
35	C33445	FILTER - oil.....	1
36	C33544	TUBE - filter to tank	1
37	C33556	HOSE - formed 90°.....	1
38	NSS	HOSE - 3/4" x 4" (use C29697 cut to length).....	2
39	217-366	FITTING - 90° 1" hose x 1-1/16" - 20 UNF	1
40	C44920	TUBE - regulator valve "by pass" to PTO valve "in" (3018PS).....	1
40	C44921	TUBE - regulator valve "by pass" to PTO "in" (4020PS).....	1
41	C25245	FITTING - hydraulic	1
42	192-23	LOCK WASHER - 1/2"	4
43	C44908	FITTING - elbow	1
44	C44922	TUBE - PTO "out" to travel valve "in" (3018PS)	1
44	C44923	TUBE - PTO "out" to travel valve "in" (4020PS)	1
45	218-5107	FITTING - 90° 7/8" - 14 (301 8PS) upper port.....	1
46	218-5137	FITTING - 45° 7/8" - 14 x 5/8" (301 8PS) lower port	1
47	C45045	CUSHION - tube	1
48	C44911	FITTING - "T" return.....	1

POWER STEERING



MODEL 3016PS, 3018PS, 3020PS, 4016, 4016PS, 4018PS, 4020PS. COMPACT TRACTORS

INDEX

POWER STEERING
3016PS 3018PS, 3020PS
4016PS, 4018PS, 4020PS

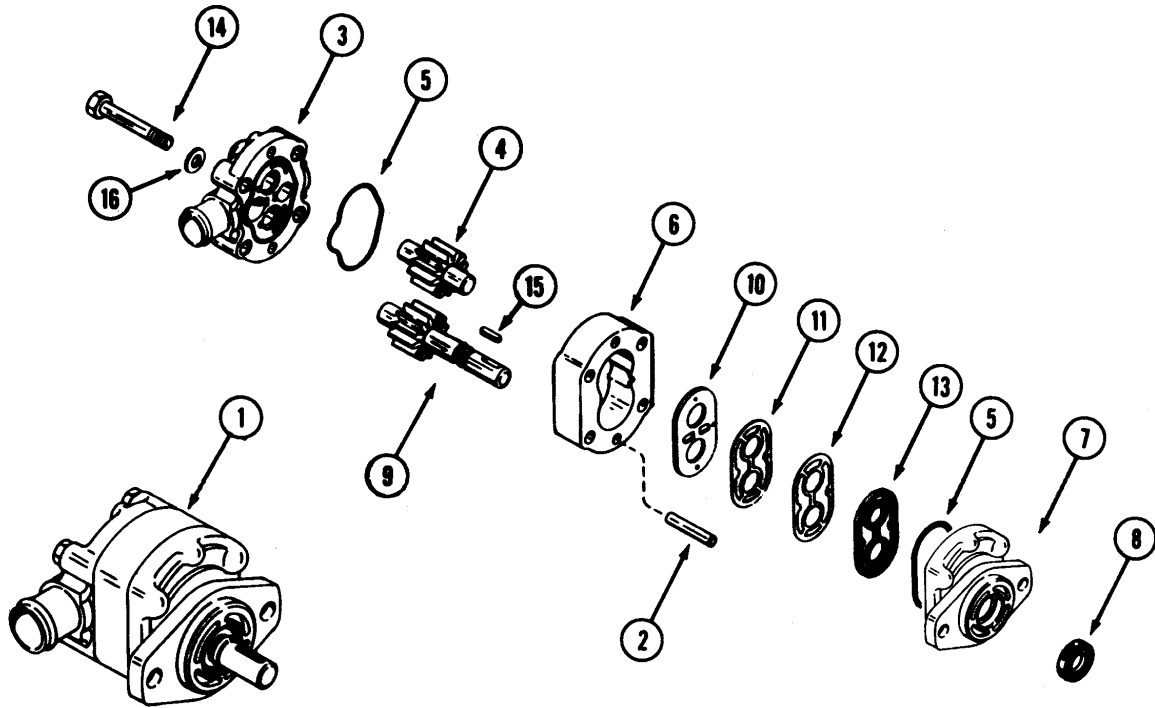
REF.	PART NO.	DESCRIPTION	REQ'D
1	C44640	BALLJOINT - 1/2" R.H. thread.....	1
2	192-23	LOCKWASHER - 1/2".....	1
3	129-165	NUT - 1/2" N.F. lock.....	2
4	NSS*	CYLINDER - hydraulic (use C44628 to service all).....	1
4	C44628 * *	CYLINDER - hydraulic.....	1
4	C44852 * *	KIT - seal, hydraulic cylinder.....	1
5	C14717	PIN - clevis 5/8" dia.....	1
6	132-91	PIN - cotter 3/16" x 1".....	1
7	C33554	VALVE - regulator.....	1
8	C33763	BRACKET - mounting.....	1
9	C15410	WASHER - cushion.....	2
10	C27990*	WHEEL - steering (shown).....	1
10	C37302**	WHEEL - steering.....	1
11	C16945*	CAP - steering wheel.....	1
11	C42591 **	CAP - steering wheel.....	1
12	129-127	NUT - 5/8" - 18.....	1
13	C33743	PUMP - steering.....	1
14	129-162	NUT - 5/16" - 24.....	3
15	218-5105	FITTING - 90° adjustable elbow 3/8" x 9/16" - 18.....	1
16	218-5135	FITTING - 45° adjustable elbow 3/8" x 9/16" - 18.....	1
17	218-5005	"O" RING.....	1
18	C33560	HOSE - hydraulic 23" (3016PS, 3018PS, 3020PS).....	1
18	C32399	HOSE - hydraulic 25" (4016PS, 4018PS, 4020PS).....	1
19	C33561	HOSE - hydraulic 19" (3016PS, 3018PS, 3020PS).....	1
19	C33750	HOSE - hydraulic 21" (4016PS, 4018PS, 4020PS).....	1
20	C28275	HOSE - hydraulic 16" hand pump "out" to travel valve.....	1
21	C22947	TIE - nylon.....	1
22	C33545	STRAP - mounting.....	1
23	121-21	BOLT - 1/4" - 20 x 1/2".....	2
24	C33762	HOSE - regulator valve (reg) to hand pump (in).....	1
25	218-5128	FITTING - hydraulic 90°, regulator valve (reg.).....	1
26	195-2175	WASHER - 5/16".....	1
27	131-69	NUT - lock 5/16" - 18.....	1
28	113-132	BOLT - 1/4" - 20 x 1-3/4".....	2
29	131-934	NUT - flange lock 1/4" - 20.....	2
30	C39504 **	BOOT - steering column.....	1
31	C39507 **	INSERT - boot.....	1

*Use before PIN:
**Use PIN and after:
301 8PS - 14181900
4020PS - 14184000
All others before PIN

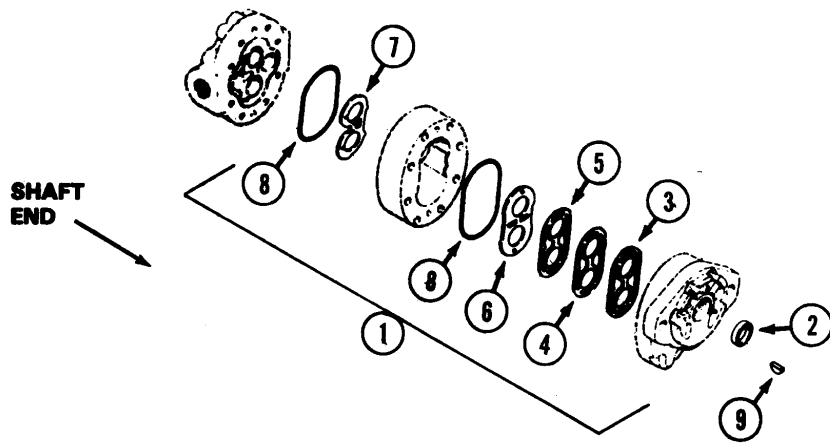
MANUAL PUMP (POWER, STEERING)

REF.	PART NO.	DESCRIPTION	REQ'D
	C33743	PUMP - steering, manual.....	1
1	129-127	NUT - 5/8" - 18.....	1
2	C34485	KIT - cover and manifold.....	1
	C30281	KIT - cover and manifold.....	1
3	NSS	"O" RING.....	4
4	NSS	RING - seal.....	5
5	NSS	"O" RING.....	1
6	NSS	SEAL - commutator.....	1
7	NSS	SEAL - face.....	1
8	NSS	RING - back-up.....	1
9	C34484	VALVE - relief.....	1
10	C34483	PLUG - relief valve.....	1

HYDRAULIC PUMP USE ON 4016



USE ON POWER STEERING UNITS



MODEL 3016PS, 3018PS, 3020PS, 4016, 4016PS, 4018PS, 4020PS COMPACT TRACTORS

INDEX

HYDRAULIC PUMP (PARKER-HANNIFIN)
Use on model 4016

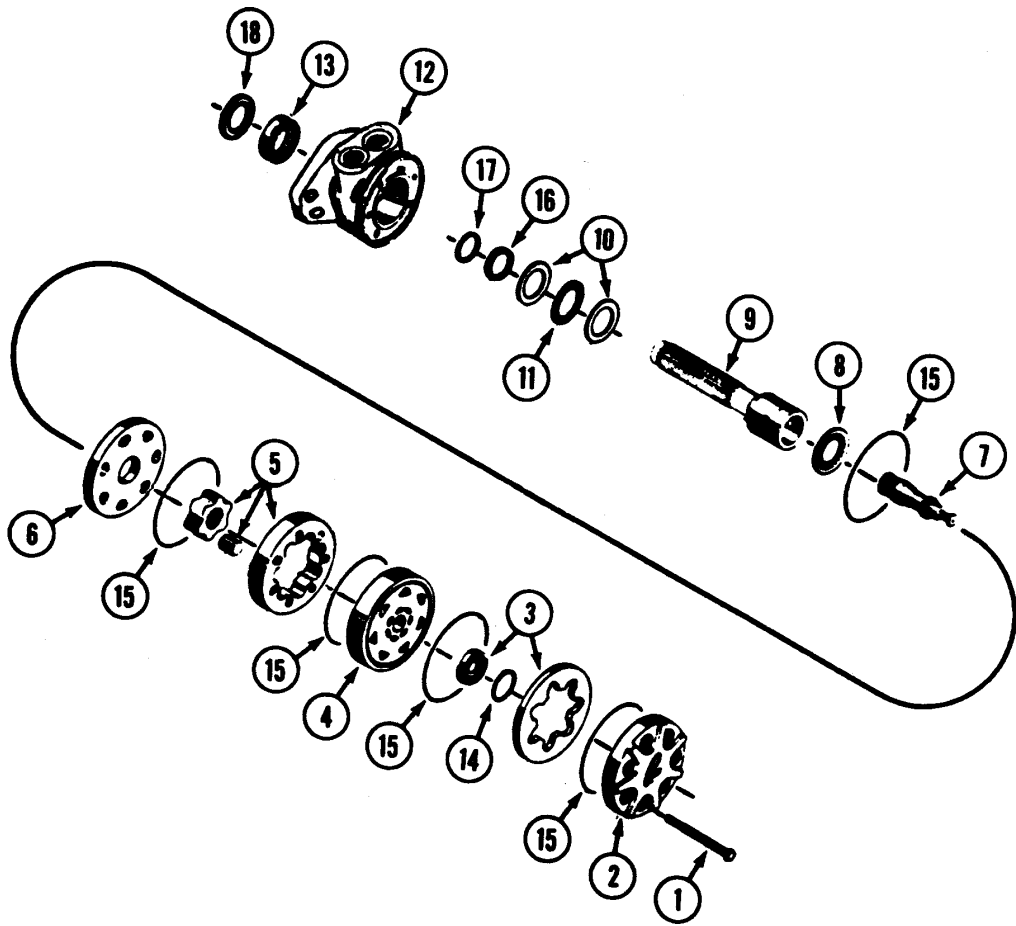
REF.	PART NO.	DESCRIPTION	REQ'D
1	C31958	PUMP - hydraulic 1/2" shaft.....	1
2	F53109	PIN - dowel.....	2
3	C31987	COVER - rear.....	1
4	C15731	GEAR ASSEMBLY - driven.....	1
5	C15732	"O" RING - cover.....	2
6	C15733	BODY - pump.....	1
7	C15734	COVER - front.....	1
8	C15735	SEAL -shaft.....	1
9	NSS	GEAR ASSEMBLY - drive (1/2" shaft) (use C31958).....	1
10	C15737	PLATE - wear.....	1
11	C15738	SHIELD - heat.....	1
12	C15739	GASKET.....	1
13	C15740	SEAL.....	1
14	113-111	BOLT.....	4
15	C31988	KEY - 1/8" square 3/4" long (1.587 mm x 19.05mm).....	1
16	C19115	WASHER.....	4

HYDRAULIC PUMP (PARKER-HANNIFIN)
(Use on power steering models)

	C33579	PUMP - hydraulic 3/4" shaft.....	1
1	C32955	KIT - seal.....	1
2	C33110	SEAL - shaft.....	1
3	NSS	SEAL - "V" ("V" side towards cover).....	1
4	NSS	GASKET.....	1
5	NSS	SHIELD - heat.....	1
6	NSS	PLATE - wear (bronze side towards gears).....	1
7	NSS	PLATE - thrust (bronze side towards gears).....	1
8	C33111	"O" RING.....	2
9	126-13	KEY - 3/16" x 5/16" woodruff (pump shaft).....	1

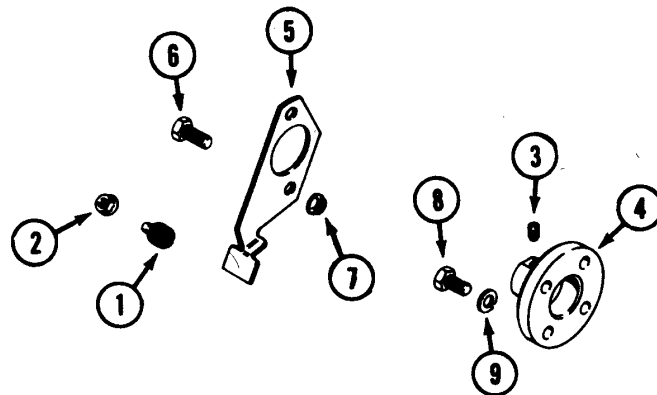
INDEX

HYDRAULIC DRIVE MOTOR



INDEX

HYDRAULIC DRIVE MOTOR



INDEX

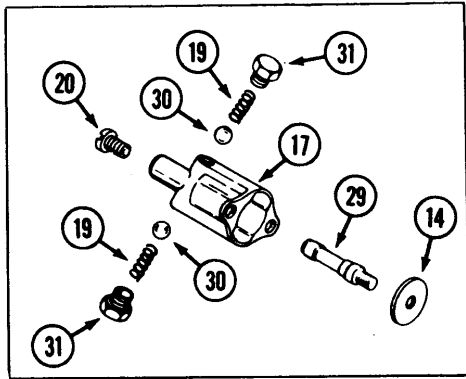
HYDRAULIC DRIVE MOTOR

REF.	PART NO	DESCRIPTION	REQ'D
	C33234	MOTOR - hydraulic (4016, 4016PS, 4018PS, 4020PS).....	1
	C30939	MOTOR - hydraulic (3016PS, 3018PS, 3020PS)	1
1	28-668	BOLT - 3/8"-24x4-1/4"(3016PS,3018PS, 3020PS)	7
1	C31327	BOLT - 3/8" -24 x 4-5/8" (4016, 4016PS, 4018PS, 4020PS).....	7
2	C31309	COVER-end.....	1
3	C31310	COMMUTATOR AND RING SET	1
4	C31311	MANIFOLD	1
5	C31312	ROTOR ASSEMBLY (3016PS, 3018PS, 3020PS)	1
5	C31313	ROTOR ASSEMBLY (4016, 4016PS, 4018PS, 4020PS)	1
6	C31314	PLATE - wear.....	1
7	C31315	LINK – drive (3016PS, 3018PS, 3020PS)	1
7	C31316	UNK – drive (4016, 4016PS, 4018PS, 4020PS).....	1
8	C31317	BEARING - thrust.....	1
9	C31318	SHAFT – coupling	7
10	C31319	WASHER - trust	2
11	C31320	BEARING - thrust.....	1
12	C31321	HOUSING - drive end.....	1
13	C31322	BEARING - outer.....	1
	C31323	KIT - seal.....	1
14	NSS	SEAL - commutator ring	1
15	NSS	SEAL - ring.....	5
16	NSS	SEAL - ring.....	1
1.7	NSS	WASHER - backup.....	1
18	NSS	SEAL - dirt (not used).....	1

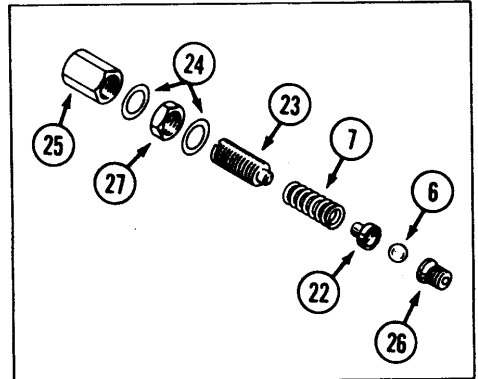
PUMP MOUNTING COMPONENTS

1	C32437	MOUNT - rubber	1
2	131-911	NUT - 5/16" - 18 flangelock	2
3	C32199	SCREW - Set 5/16" - 18 x 5/16" socket (use loctite).....	2
4	C31964	ADAPTER - drive (4016).....	1
4	C33553	ADAPTER - drive (3016PS, 3018PS, 3020PS, 4016PS, 4018PS, 4020PS).....	1
5	C33506	PLATE - pump torque arm (4016)	1
5	C 33552	PLATE - torque arm (3016PS, 3018PS, 3020PS, 4016PS, 4018PS, 4020PS).....	1
6	113-208	BOLT - 3/8"-16 x 1-1/4" hex.....	2
7	131-1352	NUT - 3/8" - 16 flange lock	2
8	113-103	BOLT - 5/16" – 18 x 1" hex.....	4
9	192-20	LOCKWASHER - 5/16"	4

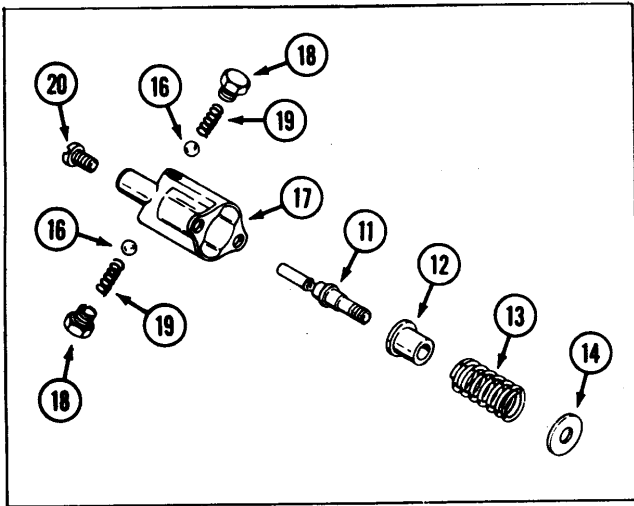
HYDRAULIC CONTROL VALVE



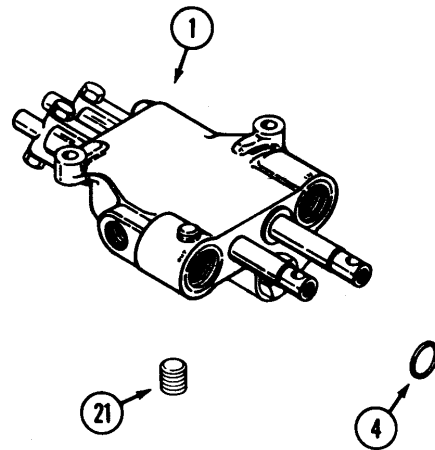
TRAVEL SECTION DETENT GROUP



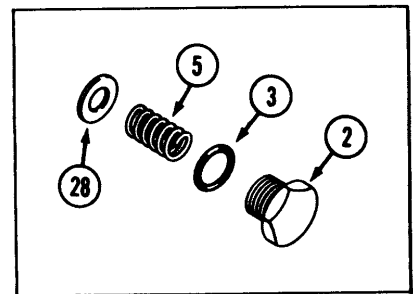
TRAVEL SECTION RELIEF GROUP



LIFT SECTION DETENT GROUP



LIFT SECTION RELIEF GROUP



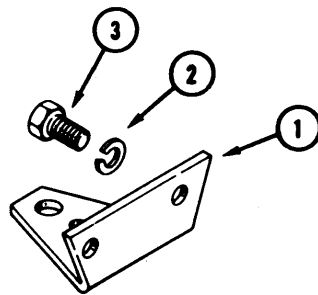
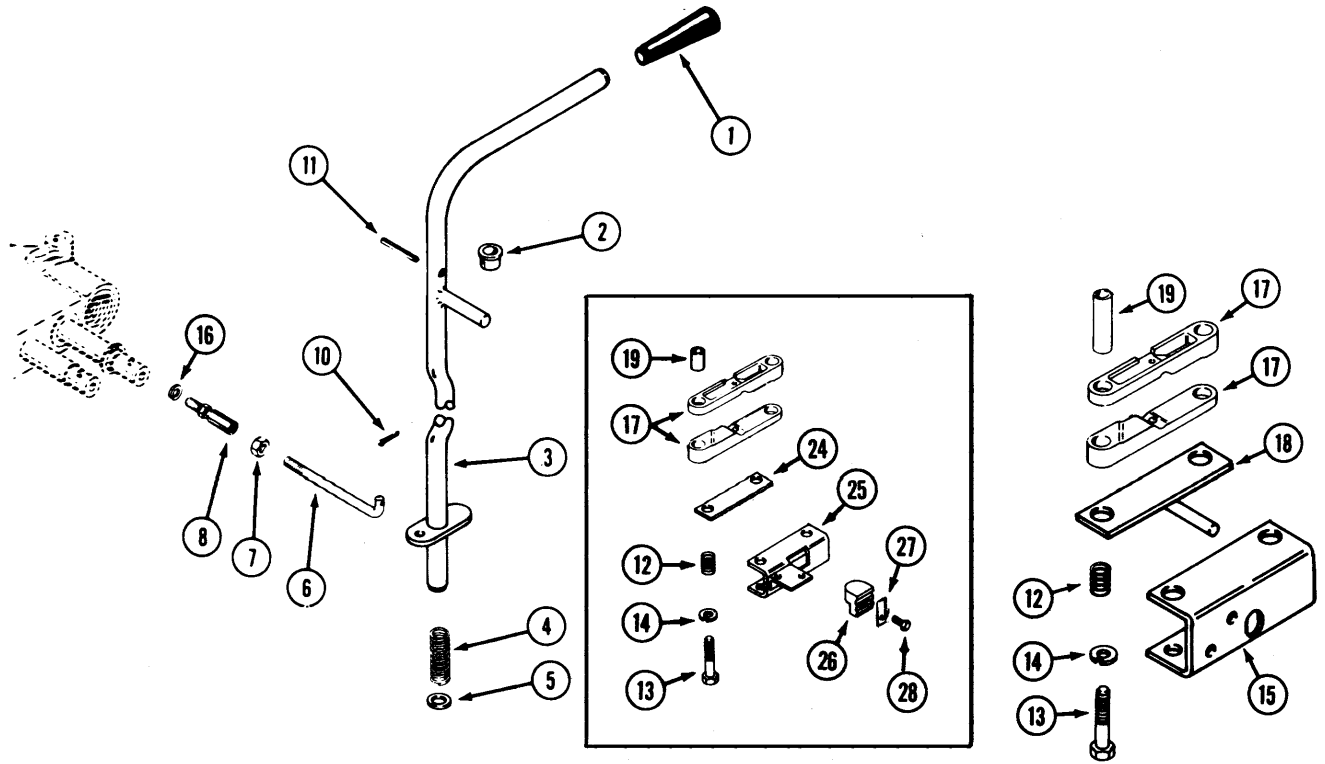
HOLDING SECTION GROUP

INDEX

HYDRAULIC CONTROL VALVE

REF.	PART NO.	DESCRIPTION	REQ'D
1	C33473	VALVE - control, two spool.....	1
2	C29956	CAP - end	2
3	C28217	"O" RING - end cap.....	1
4	C28856	SEAL - spool.....	4
5	C29951	SPRING - centering	2
6	211-208	BALL - steel 5/16" (7.94 mm)	1
7	C21507	SPRING - relief	2
8	C17433	SCREW - relief adjust	1
9	C17435	GASKET - relief adjust cap	1
10	129-531	CAP - adjust screw.....	2
11	C26668	DETENT - spool.....	1
12	C28707	SPACER - detent	1
13	C28706	SPRING - detent return.....	1
14	C28705	WASHER - return.....	2
15	NSS	SPRING - relief (use C2151 1 relief kit).....	1
16	211-5	BALL - steel 3/16" (4.76 mm)	2
17	C17438	COVER - detent	1
18	C28708	SCREW - detent	2
19	C17444	SPRING - detent	4
20	169-114	SCREW - cover.....	4
21	221-841	PLUG - pipe	1
22	C21506	RETAINER – ball seat.....	1
23	C26665	SCREW - adjust, relief	1
24	C26664	GASKET - adjust cap.....	1
25	C26666	CAP - adjust screw.....	1
26	C26663	SEAT - relief ball	1
27	C34555	NUT - lock.....	1
28	C29950	WASHER - spring retaining.....	2
29	C29958	DETENT - spool.....	1
30	211-7	BALL - steel 1/4" (6.35 mm)	2
31	C17443	SCREW - detent	2
	C30002	KIT - seal.....	1

SPEED CONTROL



INDEX

SPEED CONTROL

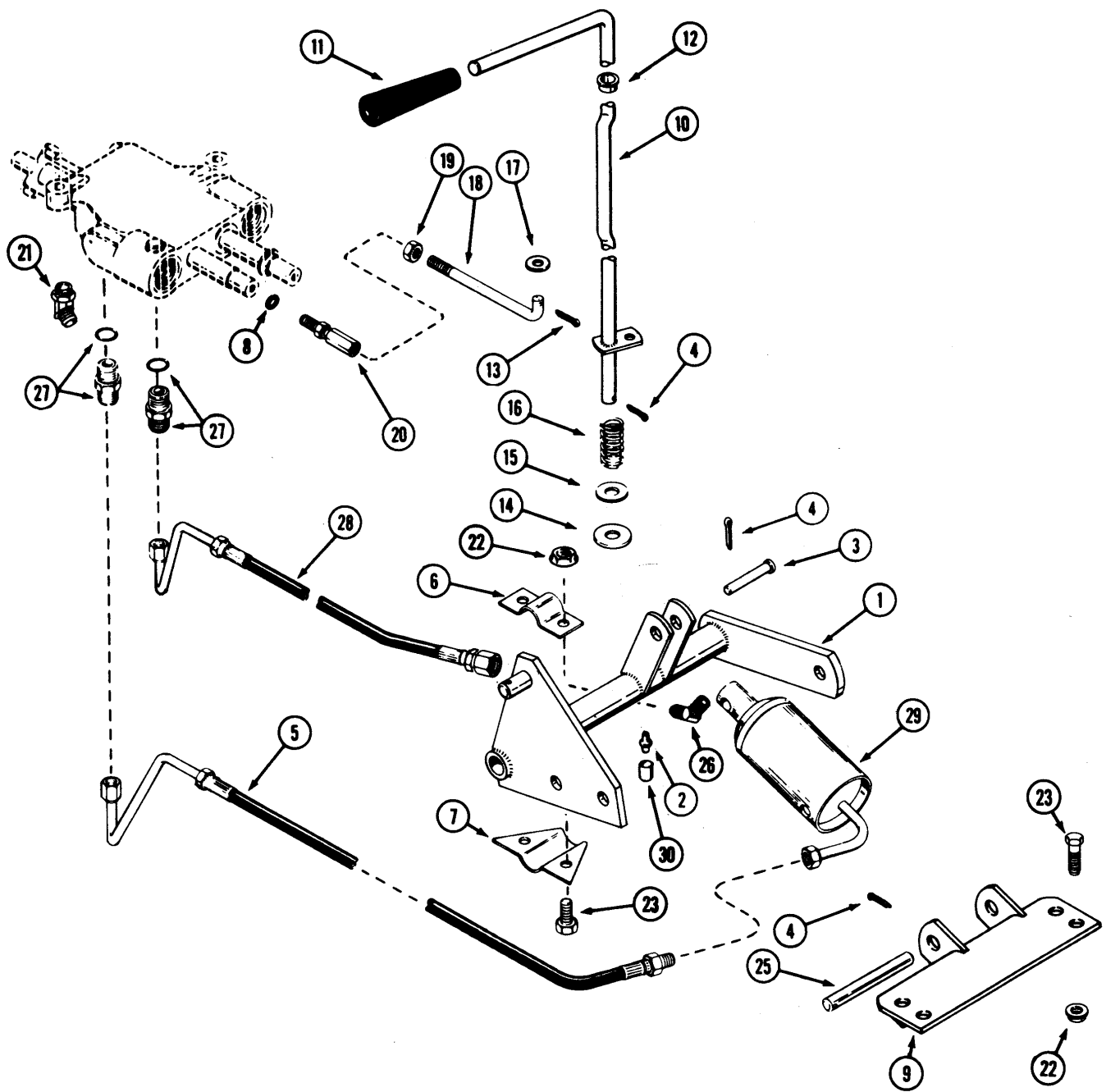
REF.	PART NO.	DESCRIPTION	REQ'D
1	C28237	KNOB - speed control (Hard Plastic).....	1
1	C46481	GRIP - speed control (Soft Rubber)	1
2	C29636	BUSHING - lever	1
3	C37250	LEVER - speed control	1
4	C10482	SPRING - compression	1
5	NSS	WASHER - nylon (use C44383)	1
6	C31670	ROD - control.....	1
7	129-122	NUT - 5/16" N.F. hex, zinc plated.....	1
8	C19025	JOINT-ball	1
9	195-521	WASHER - 5/16"	1
10	132-320	PIN - cotter 3/32" x 3/4"	1
11	138-2072	PIN - roll 1/8" x 1-3/4"	1
12	C30827	SPRING - locator	2
13	113-14	BOLT - 1/4" 20 x 2"	2
14	192-19	LOCKWASHER - 1/4"	2
15	C31678	CARRIER - locator	1
16	192-20	LOCKWASHER - 5/16"	1
17	C32362	LOCATOR - half	2
18	C31674	ACCUATOR - switch	1
19	C29653	SPACER - tube.....	2
20	C44384 *	STRAP - retainer	1
21	113-3 *	BOLT - 1/4" - 20 x 3/4"	2
22	192-19 *	LOCKWASHER - 1/4"	2
23	129-101 *	NUT - 1/4" -20.....	2
24	C37254 *	SUPPORT - locator	1
25	C37255 *	CARRIER - locator	1
26	C37198 *	CAM - switch	1
27	C44029 *	RETAINER - switch	1
28	187-1328 *	SCREW - #8 - 18 x 3/8"	1

Use PIN and after:
 3018PS - 14181900
 4020PS - 14184000

DRAWBAR AND TOW HITCH

1	C13360	DRAWBAR	1
2	192-23	LOCKWASHER - 1/2"	2
3	113-424	BOLT - 1/2" x 1" N.C. hex.....	2

HYDRAULIC LIFT



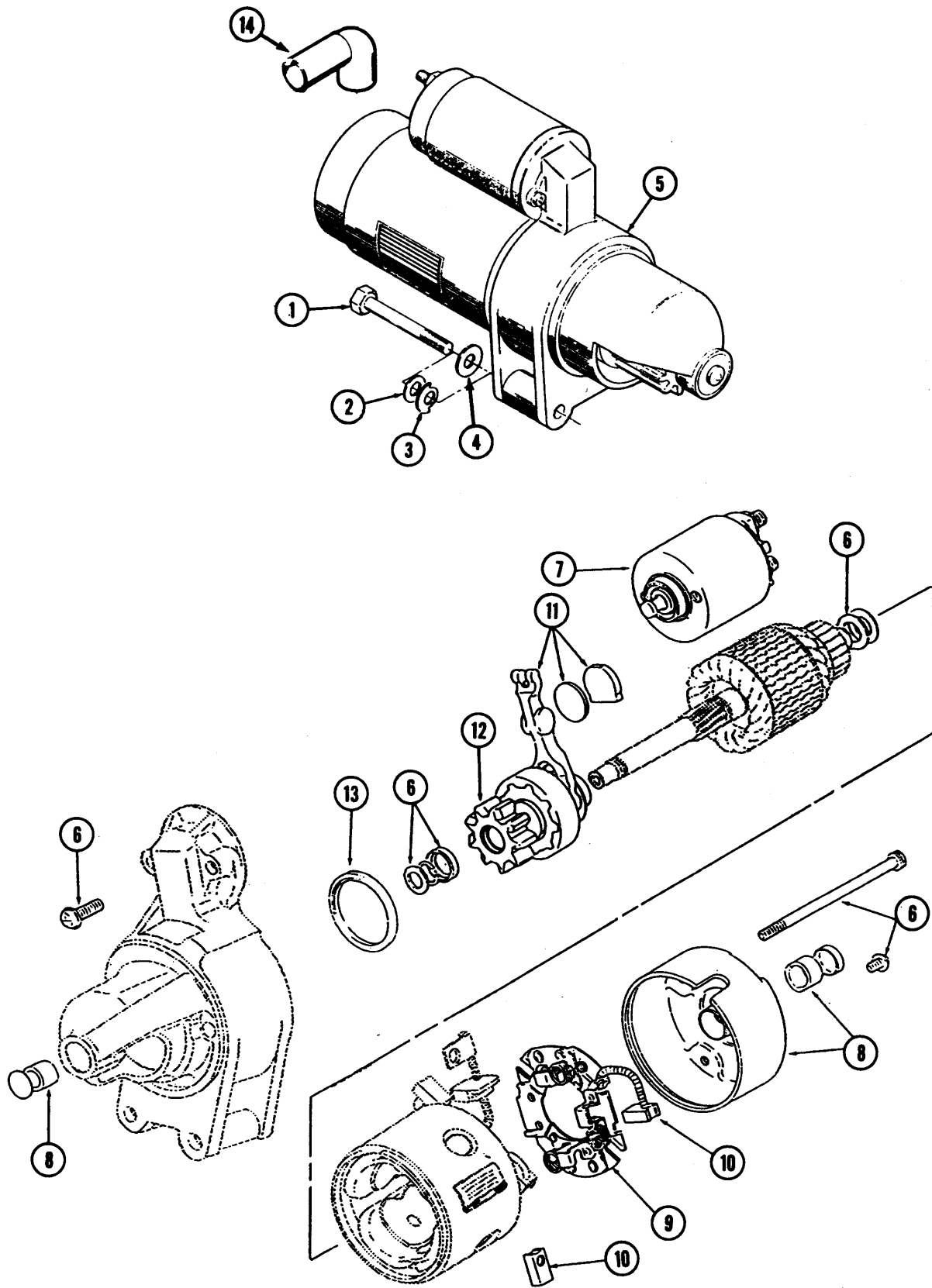
INDEX

HYDRAULIC LIFT

REF.	PART NO.	DESCRIPTION	REQ'D
1	C32259	SHAFT ASSEMBLY - lift.....	1
2	219-17	FITTING - lubrication.....	1
3	C29693	PIN - cylinder to lever, clevis.....	1
4	132-310	PIN - cotter 1/8" x 1".....	5
5	NSS *	HOSE - long (shown) (use C44743, 218-5134).....	1
5	C44743 **	HOSE - long.....	1
6	C17249	BRACKET - mounting, top.....	2
7	C17250	BRACKET - mounting, bottom.....	2
8	192-20	LOCKWASHER - 5/16".....	1
9	C33136	BRACKET - cylinder.....	1
10	C33956	LEVER - lift control.....	1
11	C29045	KNOB - control lever (Hard Plastic).....	1
11	C46481	GRIP - control lever (Soft Rubber).....	1
12	C29836	BUSHING - lift lever.....	1
13	132-320	PIN - cotter 3/32" x 3/4".....	1
14	195-533	WASHER - 1/2".....	1
15	NSS	WASHER - nylon (use C44383).....	1
16	C31681	SPRING - control lever.....	1
17	195-521	WASHER - 5/16".....	1
18	C31670	ROD - control.....	1
19	129-122	NUT - 5/16" N.F. hex.....	1
20	C19025	BALLJOINT.....	1
21	218-5134 * *	FITTING - 1/2" - 20 x 450.....	2
22	131-938	NUT - lock 3/8" N.C. hex.....	8
23	113-208	BOLT - 3/8" - 16 x 1-1/4".....	4
25	C26188	PIN - cylinder base.....	1
26	218-1093	FITTING - hydraulic 45° elbow.....	1
27	218-5056 *	FITTING - valve (includes 218-5004 "O" ring).....	2
28	NSS *	HOSE - short (shown) (use C44742, 218-5134).....	1
28	C44742 * *	HOSE - short.....	1
29	C26493	CYLINDER - lift.....	1
	C30054	KIT - seal.....	1
30	C13106	COVER - lubrication fitting.....	1

*Use before PIN:
 **Use PIN and after:
 3018PS - 14181900
 4020PS -14184000
 All others before PIN

STARTER



MODEL 3016PS, 3018PS, 3020PS, 4016, 4016PS, 4018PS, 4020PS COMPACT TRACTORS

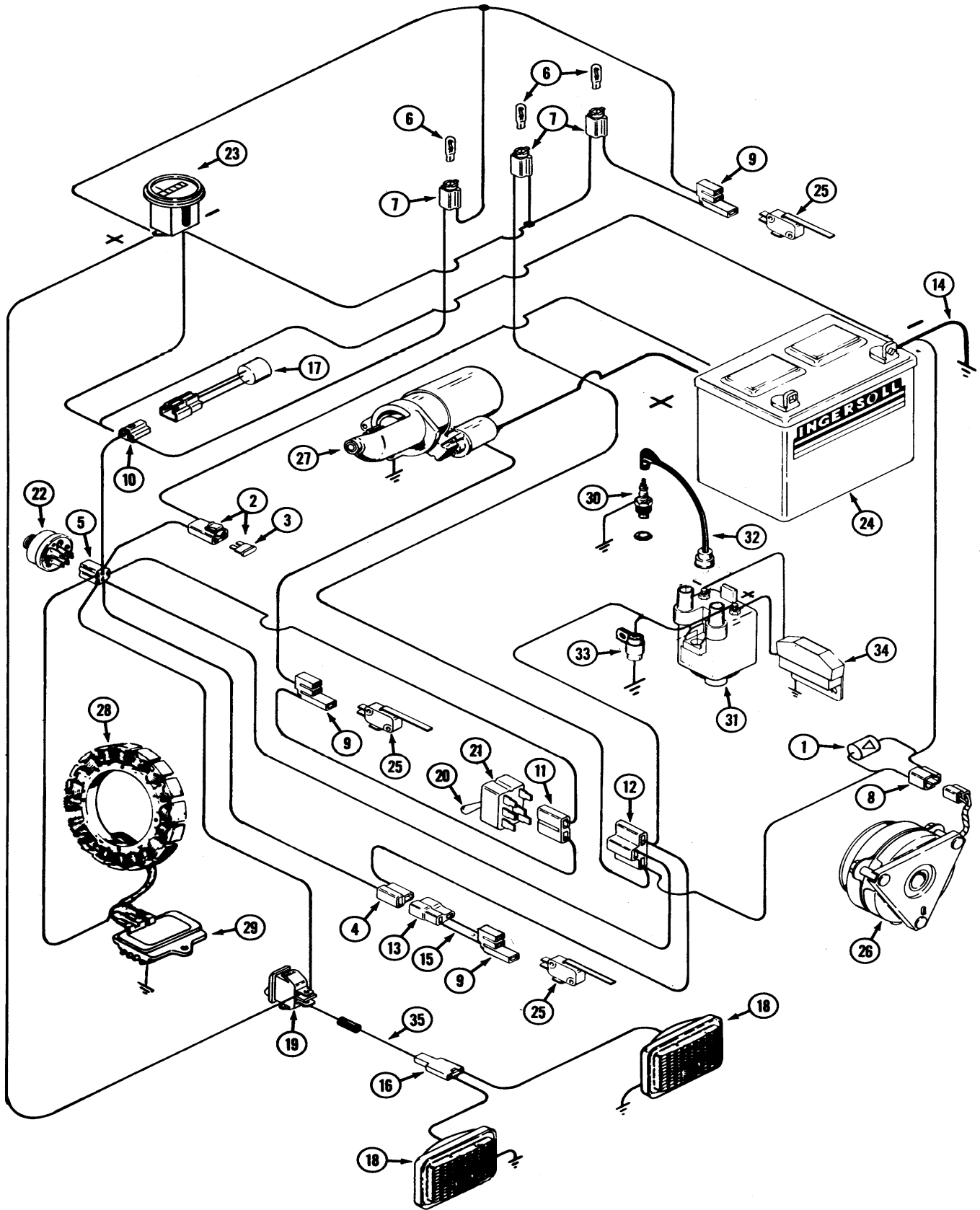
INDEX

STARTER

REF.	PART NO.	DESCRIPTION	REQ'D
1	C32448	BOLT-thru5/16"-18x3-1/2"	2
2	192-20	LOCKWASHER-5/16"	2
3	C32449	WASHER - special (outside mounting bolt)	1
4	C20248	WASHER - 5/16" (inside mounting bolt)	1
5	C32312	STARTER ASSEMBLY	1
6	C32313	KIT-hardware	1
7	C32314	KIT - solenoid (includes plunger)	1
8	C32315	KIT - bushing (includes rear cap).....	1
9	C32316	HOLDER - brush (includes negative brush).....	1
10	C32317	KIT-brush	1
11	C32318	KIT-shift lever	1
12	C32319	CLUTCH - starter (includes gear)	1
13	C32320	SEAL-dust.....	1
14	C31618	COVER - terminal	1

ELECTRICAL SYSTEM
3018PS BEFORE PIN 14181900
4020PS BEFORE PIN 14184000

3016, 3020PS, 4016, 4016PS, 4018PS - ALL



INDEX

ELECTRICAL SYSTEM

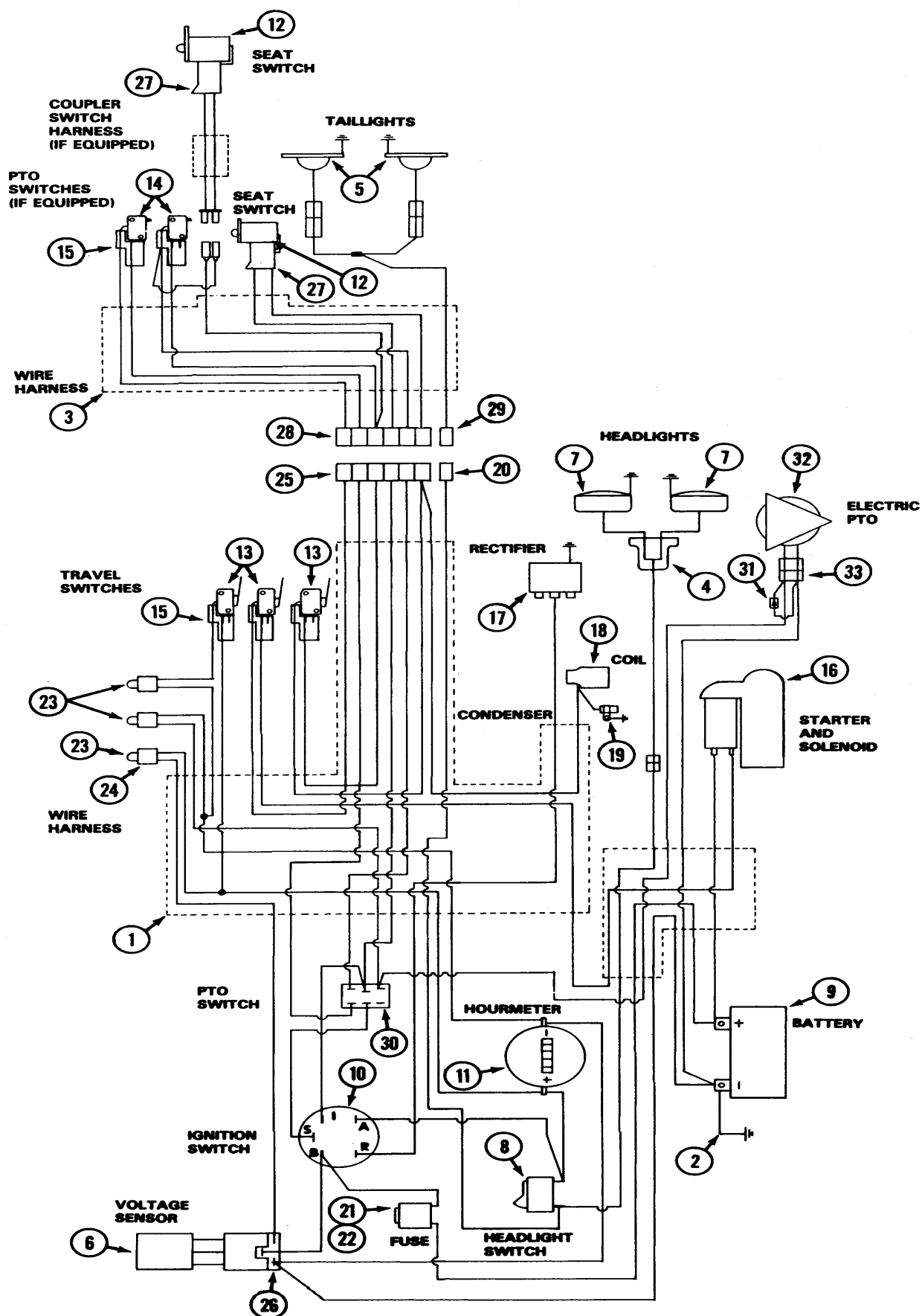
(3018PS - use before PIN 14181900)
 (4020PS - use before PIN 14184000)
 (3016PS, 3020PS, 4016, 4016PS, 4018PS - All)

AFTER PIN #'s

REF.	PART NO.	DESCRIPTION	REQ'D
	C31941	HARNESS - wire	1
1	C31986	KIT - diode, 6 amps, 15 volt.....	1
2	C31947	KIT - fuse holder	1
3	C30260	FUSE - 30 amp :.....	1
4	C25338	CONNECTOR - seat harness, male.....	1
5	C24460	CONNECTOR - ignition switch.....	1
6	C30262	BULB - indicator lights (not included with harness)	3
7	C30263	SOCKET - bulb.....	3
8	C31948	CONNECTOR - PTO.....	1
9	C30279	CONNECTOR - switch	3
10	C25486	CONNECTOR - sensor	1
11	C31952	CONNECTOR - PTO switch, 2 terminal	1
12	C31950	CONNECTOR - PTO switch, 3 terminal	1
13	C24813	CONNECTOR - seat harness, female.....	1
14	C24809	CABLE - battery negative to ground.....	1
15	C31044	HARNESS - wire, seat switch (includes Ref. 9 and 13)	1
16	C14537	CONNECTOR - headlights.....	1
17	C31617	SENSOR - voltage (includes connector)	1
18	C32178	HEADLIGHT - 12 volt (repairs page 69)	2
19	C43044	SWITCH - headlight.....	1
20	C31619	CAP - PTO switch.....	1
21	C31937	SWITCH - PTO	1
22	C30530	SWITCH - ignition (includes key and mounting hardware).....	1
	C32407	KEY - ignition.....	2
23	C42929	HOURMETER	1
24	C41010	BATTERY - 12 volt, 300 CCA.....	1
25	C30275	SWITCH - inter-lock.....	3
26	C33198	CLUTCH - PTO (see page 25 for repairs)	1
27	C32312	STARTER AND SOLENOID - (see page 63 for repairs)	1
28	C24956	STATOR - charging	1
29	C32461	RECTIFIER - voltage, 12 volt	1
	C32458	KIT - terminal connector	2
30	C32454	SPARK PLUG - includes gasket.....	2
31	C32296	COIL - ignition 12 volt	1
32	C32299	CABLE KIT - spark plug 18-1/2"	2
33	C32307	CONDENSER.....	1
34	C32294	CONTROL - ignition	1
35	C34181	WIRE - lights.....	1

ELECTRICAL SYSTEM

3018PS AFTER SN 14181900
4020PS AFTER SN 14184000



INDEX

ELECTRICAL SYSTEM

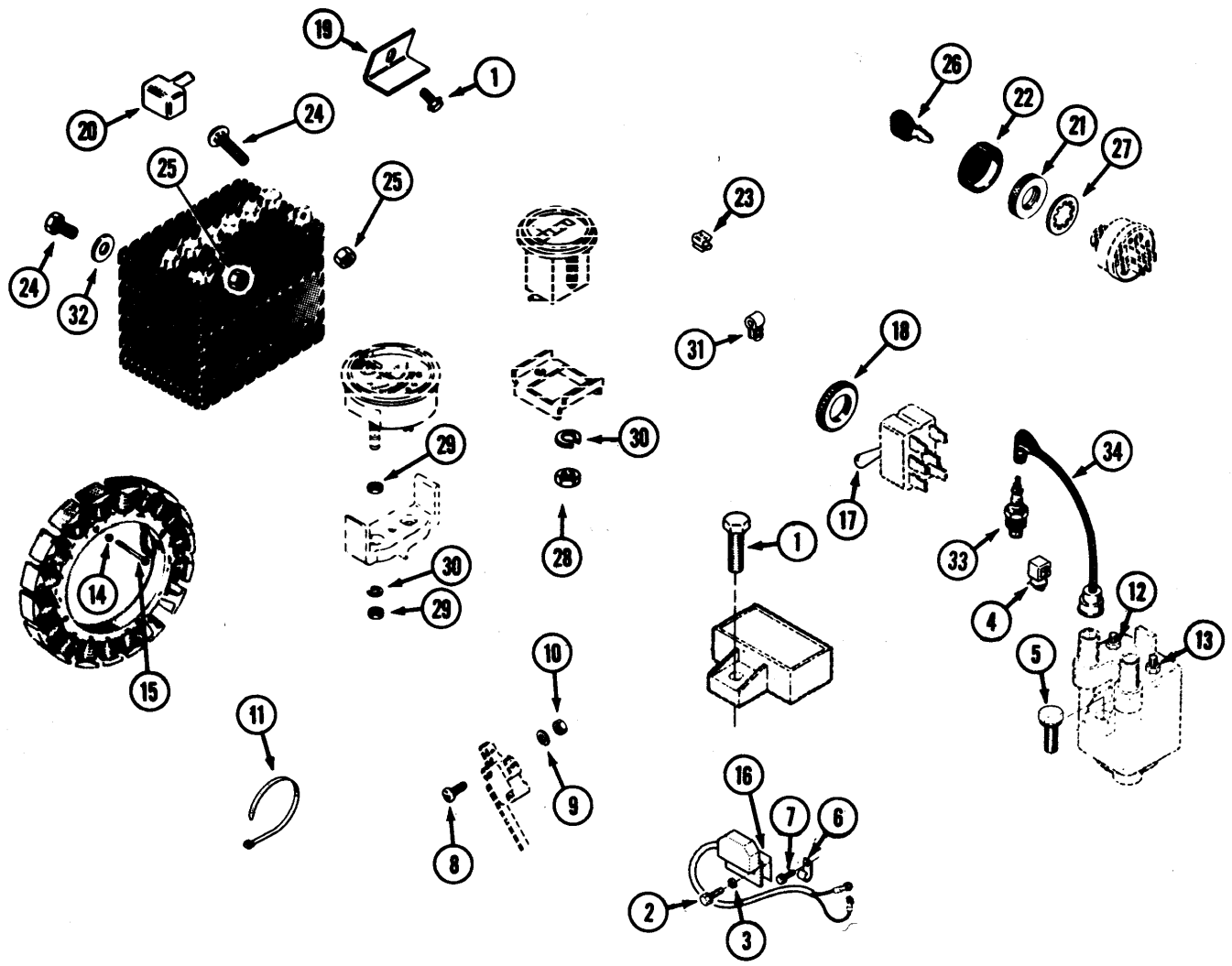
(3018PS PIN 14181900 and after)

(4020PS PIN 14184000 and after)

REF.	PART NO.	DESCRIPTION	REQ'D
1	C43227	HARNESS - wire, main.....	1
2	C24809	CABLE - battery negative to ground.....	1
3	C43228	HARNESS - wire, seat switch, PTO and taillights	1
4	C14537	CONNECTOR - headlights.....	1
5	C37165	TAILLIGHT - rear (use 193-1000 nut for mounting)	2
6	C31617	SENSOR - voltage.....	1
7	C32178	HEADLIGHT - 12 volt (page 69 for service)	2
8	C43044	SWITCH - headlights.....	1
9	C41010	BATTERY - 12 volt 300 CCA.....	1
10	C30530	SWITCH - ignition.....	1
	C24460	CONNECTOR - ignition switch.....	1
11	C45917	HOURMETER	1
12	C37298	SWITCH - seat (black).....	2
13	C30275	SWITCH - micro (at travel lever)	3
14	C37399	SWITCH - micro (at PTO).....	2
15	C30279	CONNECTOR - micro switch	5
16	C32312	STARTER AND SOLENOID - 12 volt (see page 63 for service)	1
17	C32461	RECTIFIER - voltage, 12 volts	1
18	C32296	COIL - ignition, 12 volt.....	1
19	C32307	CONDENSER - 12 volt.....	1
20	C42118	CONNECTOR - single female, taillight.....	1
21	C31947	KIT - fuse holder	1
22	C30260	FUSE - 30 amp.....	1
23	C30262	BULB - indicator	3
24	C30263	SOCKET - bulb.....	3
25	C42117	CONNECTOR - six wire, harness, female.....	1
26	C25486	CONNECTOR - three wire, sensor	1
27	C37398	CONNECTOR - seat switch	2
28	C42115	CONNECTOR - six wire, seat harness, male	1
29	C42116	CONNECTOR - harness, taillight, male	1
30	C31937	SWITCH - PTO.....	1
31	C31986	KIT - diode	1
32	C33198	CLUTCH - PTO, electric (see page 25 for repairs).....	1
33	C31948	CONNECTOR - PTO.....	1

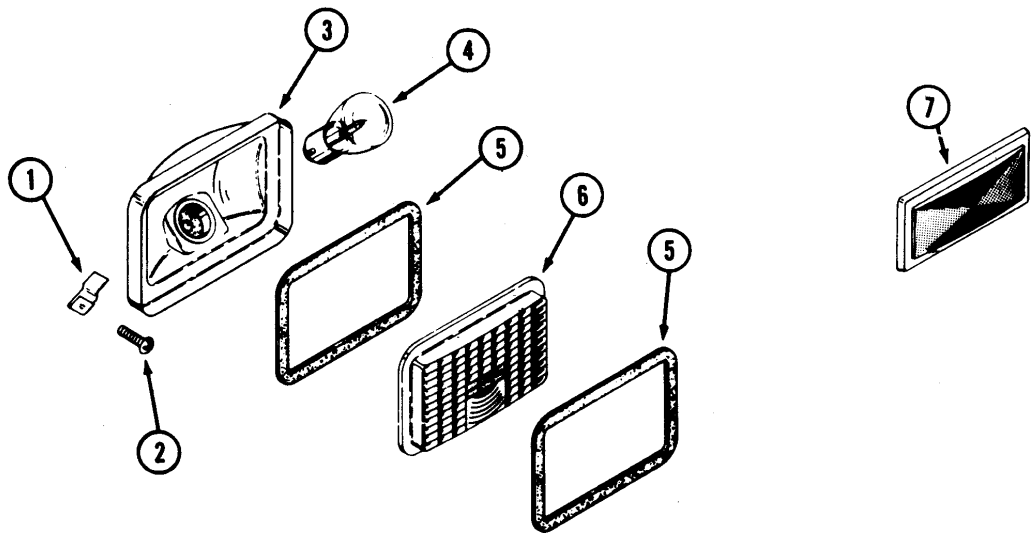
INDEX

ELECTRICAL SYSTEM HARDWARE



INDEX

HEADLIGHT ASSEMBLY AND REAR REFLECTOR



MODEL 3016PS, 3018PS, 3020PS, 4016, 4016PS, 4018PS, 4020PS COMPACT TRACTORS

INDEX

ELECTRICAL SYSTEM HARDWARE

REF.	PART NO.	DESCRIPTION	REQ'D
1	121-21	BOLT - 1/4" - 20 x 1/2" flange lock	1
2	182-525	BOLT - #10 - 32 x 3/8"	2
3	C32460	LOCKWASHER - #10 internal tooth	12
4	C32453	CLIP - wire	1
5	C32456	BOLT - 1/4" - 20 x 1"	2
6	C32455	CLIP - wire	2
7	187-1036	SCREW - 1/4" - 20 x 1"	1
8	182-12	SCREW - #4 - 40 x 1-1/8"	2
9	192-13	LOCKWASHER - #4	2
10	129-13	NUT - #4 - 40	2
11	C22947	TIE - wire	UAR
12	C32301	NUT - M5 metric (negative terminal)	1
13	C32300	NUT - M4 metric (positive terminal)	1
14	193-6	LOCKWASHER - #10	3
15	C32459	SCREW - #10 - 32 x 1" self lock	3
16	C32295	INSULATOR - ignition module	1
17	C31619	CAP - PTO switch	1
18	C33475	RETAINER - battery	1
19	C33475	RETAINER - battery	1
20	C24069	COVER - battery positive terminal	1
21	C32396	NUT - switch	1
22	C32397	CAP - nut	1
23	C19521	CLIP - wire	3
24	111-132	BOLT - 5/16" - 18 x 3/4" carriage	2
24	113-3 *	BOLT - 1/4" - 20 x 3/4" (shown)	2
25	129-102	NUT - 5/16" - 18	UAR
25	129-101 *	NUT - 1/4" - 20	2
26	C32407	KEY - ignition	1
27	C23012	LOCKWASHER (early production)	1
28	129-36	NUT - #8 - 36	2
29	129-27	NUT - # 10NF	4
30	193-6	LOCKWASHER - #10	2
31	C42358	CLIP - wire (at tail light)	2
31	C31977	CLIP - wire (at hydraulic PTO)	1
32	195-518 *	WASHER - 1/4"	2
33	C32454	SPARK PLUG	2
34	C32299	CABLE KIT - spark plug	2

* Use PIN and after:
 3018PS - 14181900
 4020PS - 14184000

HEADLIGHT ASSEMBLY AND REAR RELECTOR

1	C29637	RETAINER - headlight	4
2	187-1328	SCREW - No. 8 x 3/8"	4
	C32178	HEADLIGHT ASSEMBLY	2
3	NSS	RECEPTACLE - headlight (order C32178)	1
4	C28932	BULB - headlight	1
5	C14304	GASKET - headlight	2
6	C22573	LENS - headlight	1
7	C30942	REFLECTOR - red, rear fender	2

① **INGERSOLL** Power Steering **3016**

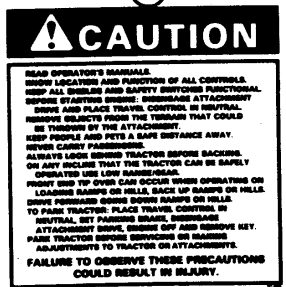
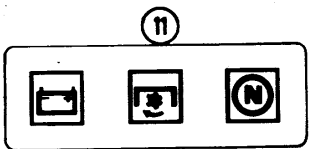
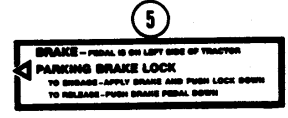
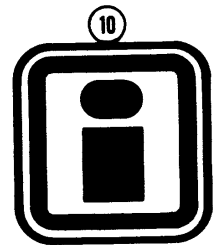
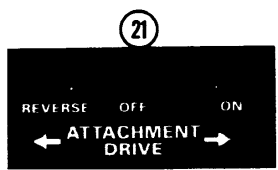
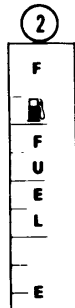
① **INGERSOLL** Power Steering **3018**

⑭ **INGERSOLL** Power Steering **3020**

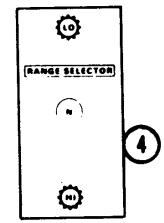
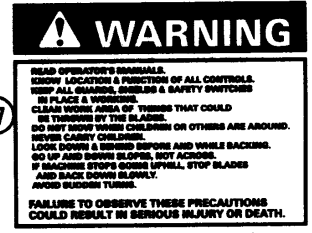
⑦ **INGERSOLL** Power Steering **4016**

⑧ **INGERSOLL** Power Steering **4018**

⑬ **INGERSOLL** Power Steering **4020**



⑫ **INGERSOLL**



MODEL 3016PS, 3018PS, 3020PS, 4016, 4016PS, 4018PS, 4020PS COMPACT TRACTORS

INDEX

DECALS

REF.	PART NO.	DESCRIPTION	REQ'D
1	C33478	DECAL - "3018" Power Steering" hood L.H. (shown).....	1
1	C33479	DECAL - "3018" Power Steering" hood R.H.	1
2	C33588	DECAL - fuel gauge	1
3	321-4767	DECAL - hydraulic reservoir	1
4	C33589	DECAL - shift range	1
5	C33590	DECAL - brake	1
6	C33476	DECAL - "3016 Power Steering" hood L.H. (shown).....	1
6	C33477	DECAL - "3016 Power Steering" hood R.H.....	1
7	C32007	DECAL - "4016" hood L.H. (shown).....	1
7	C32008	DECAL - "4016" hood R.H.....	1
8	C33484	DECAL - "4018" Power Steering" hood L.H. (shown).....	1
8	C33485	DECAL - "4018 Power Steering" hood R.H.....	1
9	NSS	DECAL - Caution (use C44340)	
10	C30539	MEDALLION	1
11	C30274	LENS - display	1
12	C32093	DECAL - seat back "Ingersoll"	1
13	C33486	DECAL - "4020 Power Steering" hood L.H. (shown).....	1
13	C33487	DECAL - "4020 Power Steering" hood R.H.....	1
14	C33480	DECAL - "3020 Power Steering" hood L.H. (shown).....	1
14	C33481	DECAL - "3020 Power Steering" hood R.H.....	1
15	C33482	DECAL - "4016 Power Steering" hood L.H. (shown).....	1
15	C33483	DECAL - "4016 Power Steering" hood R.H.....	1
16	C34184 *	DECAL - flag	1
17	C44340 *	DECAL - "WARNING"	1
18	C44341 *	DECAL - "ATTENTION"	1
19	C37197 *	DECAL - steering wheel	1
20	C37274 *	DECAL - shift range	1
21	C37275 *	DECAL - PTO (if equipped)	1

* Use PIN and after:
 301 8PS - 14181900
 4020PS - 14184000