



## Parts Catalog 8-3042

COMPACT TRACTORS  
WITH **ONAN** ENGINES

3016 – Before PIN 14147800

4016 – Before PIN 14149628

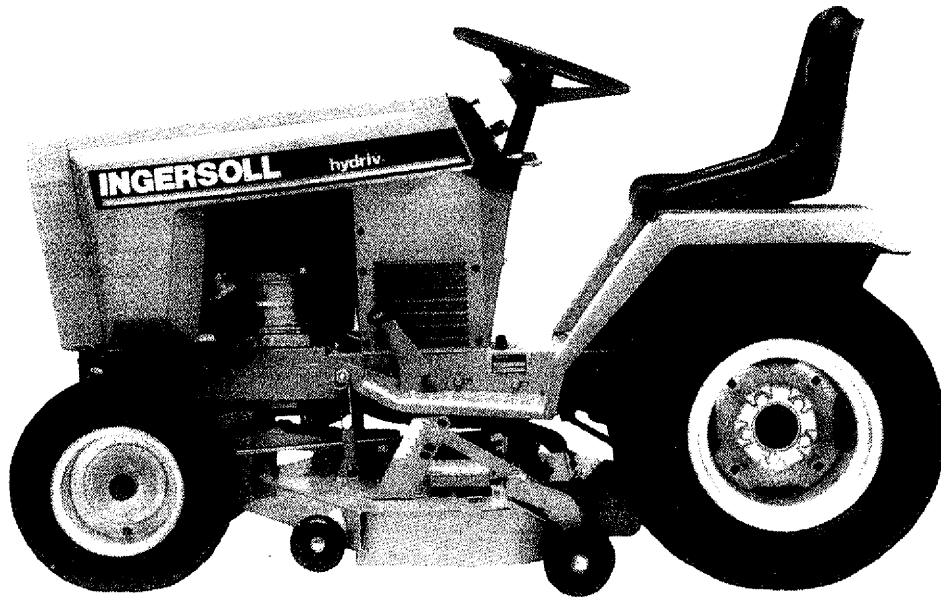
3018, 3020, 4018 4020 - ALL

[INDEX](#)

[PAINT](#)

[ENGINES](#)

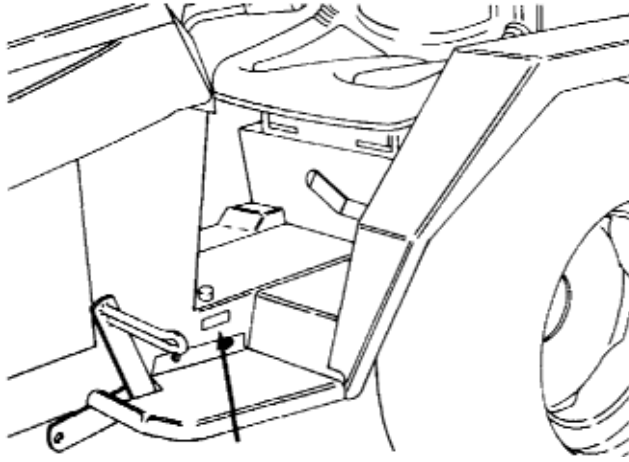
[GENERAL INFO](#)



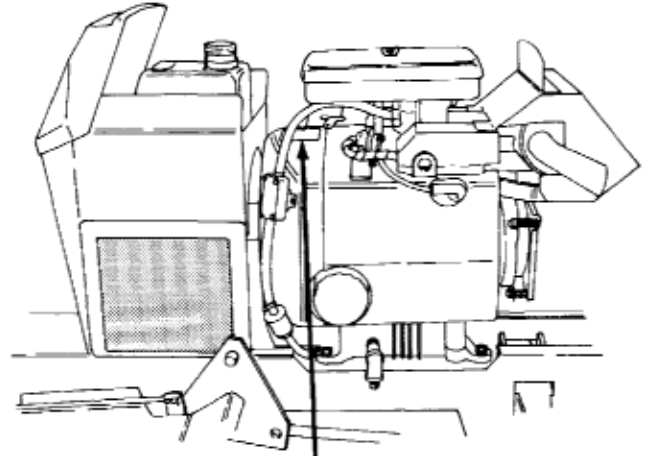
# 3016, 3018, 3020, 4016, 4018, 4020 COMPACT TRACTORS

## INDEX

### PRODUCT IDENTIFICATION NUMBERS (PIN.) OR SERIAL NUMBERS (S/N)



TRACTOR MODEL AND P.I.N.  
OR SERIAL NUMBERS



ENGINE MODEL, SERIAL AND  
SPECIFICATION NUMBERS

NOTE: In this catalog there are references to serial numbers.  
To order the correct part use these serial numbers as a guide.

### ENGINE IDENTIFICATION

#### TRACTOR MODEL

3016, 4016

3018, 4018

4020

#### ENGINE MODEL

C33235  
ONAN P216G-I SPEC. NO. 10904C

C33236  
ONAN P218G-I SPEC. NO. 10904C

C33237  
ONAN P220G-I SPEC. NO. 10904C

**INDEX**

There is an index at the front and rear of this catalog. The front index is an alphabetical index of the major groups or assemblies.

The rear index is a numerical index of the part numbers and pages on which these numbers are shown.

**ILLUSTRATION**

Each illustration in this catalog shows a group of parts or components. These parts and components are aligned approximately as the parts and components on your machine. Each part and component in an illustration has a reference number. These reference numbers are in a list on the page opposite of the illustration. Next to the reference number is the part number, description and required quantity of the part shown in the illustration.

UAR - "Use as required" indicates that the part quantity is variable.

NSS - "Not sold separately" indicates that the part is only available as component of an assembly or the part must be purchased locally. If the part is an assembly component, the description will be indented under the assembly description in the parts list.

O/L - "Obtain locally"

- "Footnotes" are added to a part number when more information is needed for identification. They only relate to the part numbers indicated. All orders must include the following information:

**PARTS ORDERS**

1. Correct part number.
2. Complete description of part or component.
3. Total quantity of each part or component.
4. Product model number.
5. All necessary product identification numbers.
6. Method for sending the parts.
7. Complete and correct address.

**CATALOG REVISIONS**

As the product changes, new pages will be available for your catalog. A notice will be issued.

**IMPORTANT:** Put all revisions into the catalog as soon as possible.

**RIGHT HAND AND LEFT HAND IDENTIFICATION**

The words right hand (RH) and left hand (LH) as used in this catalog indicate the direction while you are in the operator's seat in the normal operating position.

**INDENTED DESCRIPTIONS**

An assembly can have many components. The components of an assembly are indicated by an indented description. The quantity for an indented part is the total needed for that complete assembly. See the example.

REF.	PART NO.	DESCRIPTION	REQ'D
	C 55159	CYLINDER ASSY - rear steering .....	1
28	C 56208	SOCKET ASSY - rear cylinder .....	1
29	C 55956	PLUG - adjusting, socket assy .....	1
30	C 55957	SEAT- socket, ball.....	2
31	C 56210	SPRING-socket .....	1
32	C 56209	SEAT - socket spring .....	1
33	G 45175	CLAMP ASSY - socket assy .....	1
	16- 836	BOLT-1/2"x2-1/4" N.F. hex.....	1
34	132- 104	PIN-cotter, 3/16"x3".....	1
35	C 55889	STUD - ball, socket & cylinder .....	2
36	13- 410	BOLT-1/4"x5/8"N.C.,hex .....	4
37	92- 4	LOCK WASHER - 1/4"SAE .....	4



**Ingersoll**

## Paint & Oil

**INDEX**

### PAINT

#### **Power Red Gloss**

16-ounce Aerosol Can..... C28484  
Quart ..... C28485

#### **Power White**

16-ounce Aerosol Can..... C28812  
Quart ..... C28845

#### **Power Yellow** (Older 600 Series)

16-ounce Aerosol Can..... C28847  
Quart ..... C28848

#### **Power Tan** (6000 Series)

16-ounce Aerosol Can..... C28853  
Quart ..... C28854

#### **Desert Sunset** (Older 400 Series)

16-ounce Aerosol Can..... C28846  
Quart ..... C28852

#### **Black, Semi Gloss**

16-ounce Aerosol Can..... C28849  
Quart ..... C28850

#### **Black, High Heat**

16-ounce Aerosol Can..... C28851

#### **Silver**

16-ounce Aerosol Can..... C30870

#### **M & W Plum**

16-ounce Aerosol Can..... 10-5688

#### **Grazer Grey**

16-ounce Aerosol Can..... C38444  
Quart ..... C38982

#### **Odyssey Charcoal Grey**

16-ounce Aerosol Can..... C47171

### HYDRAULIC OIL

**20W40**, Use 32 Degrees and above.  
12-Quart Case..... C32778

**5W20**, Use Below 32 Degrees.  
12-Quart Case..... C32777

**ALPHABETICAL INDEX**

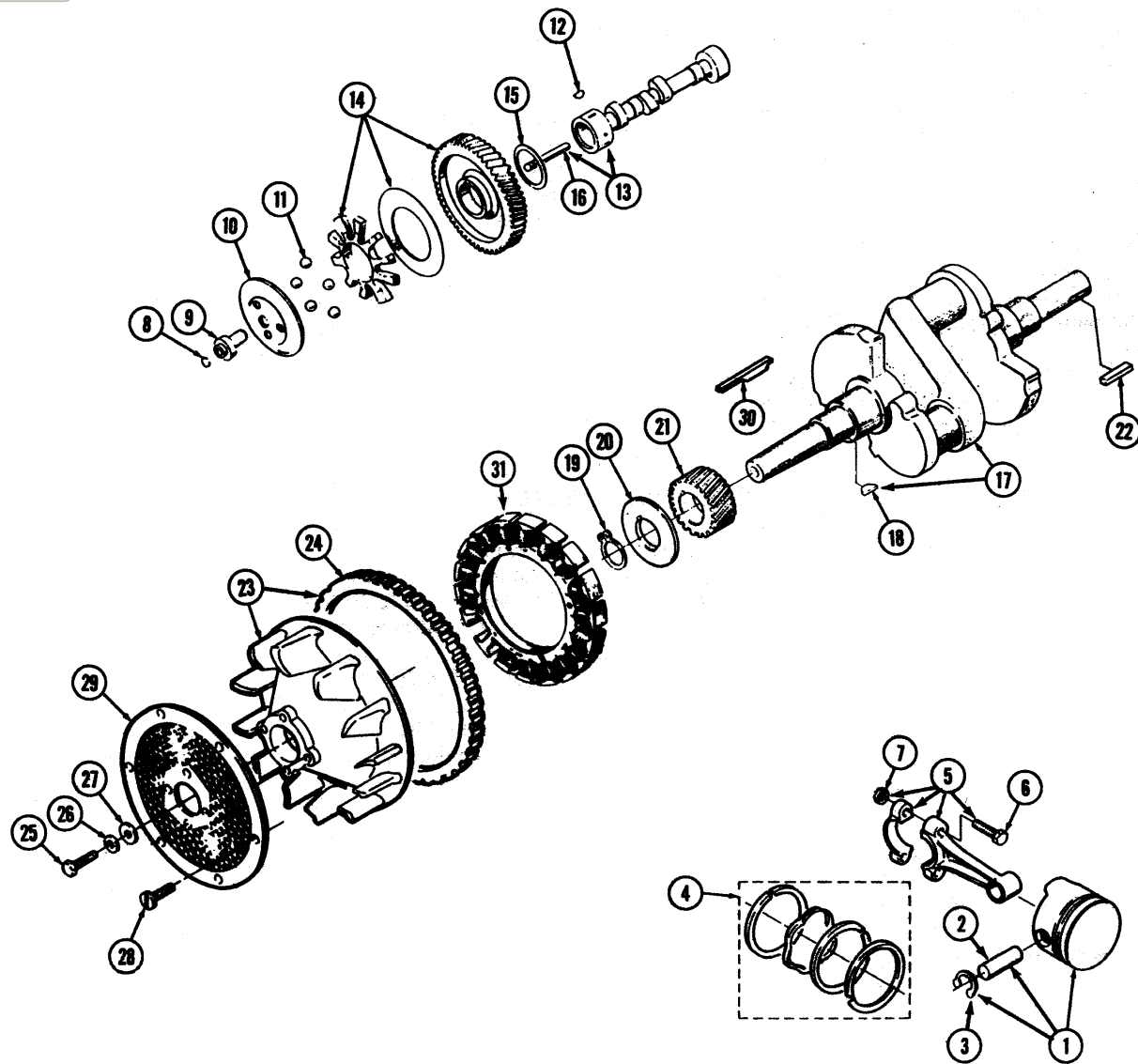
**ENGINE SECTION**

Air Cleaner .....	17	Flywheel .....	5
Battery .....	59 - 61	Fuel Pump .....	15
Breather, Crankcase .....	7 - 9	Fuel System .....	15
Camshaft .....	5	Gasket Kits .....	7 - 9
Carburetor .....	15 - 19	Governor .....	13 - 21
Choke Linkage .....	19	Muffler .....	23
Connecting Rod .....	5	Shields .....	21-23
Crankshaft .....	5	Oil Pan .....	11
Cylinder Block .....	7 - 9	Piston .....	5
Cylinder Head .....	7 - 9	PTO Clutch .....	25
Electrical System .....	57 - 63	Rotor, Ignition .....	13
Engine Block & Attaching Parts .....	7 - 9	Spark Plug .....	59 - 61
Exhaust System .....	23	Starter .....	57
Filter, Breather .....	17	Tank, Fuel .....	15
Filter, Fuel .....	15	Throttle Linkage .....	19
		Valves .....	7 - 9

**BASIC TRACTOR SECTION**

Axle, Front .....	37	Pump .....	51
Axle, Rear .....	41	Valve, Control .....	47
Baffles & Shrouds .....	21 - 23	Linkage, Valve, Control .....	53
Brakes .....	39	Hydraulic Lift .....	55
Control, Speed .....	53	Instruments .....	59 - 61
Decals .....	65	Mounts, Engine .....	27
Electrical System .....	57 - 63	Mounts, Heat Exchanger .....	43 - 45
Fenders .....	31 - 33	PTO Clutch (electric) .....	25
Frame .....	2	Reflector, rear .....	63
Grille .....	29	Seat, Operator's .....	31 - 33
Hitch, tow .....	49	Steering Wheel & Gear .....	35
Hood .....	29	Tool Tray .....	31 - 33
Hydraulics .....	43 - 55	Transmission .....	41
Adapter, Pump Drive .....	51	Wheels, Front & Rear .....	39
Hoses, Lines & Fittings .....	43 - 55		
Motor, Hydraulic Drive .....	45		

INDEX

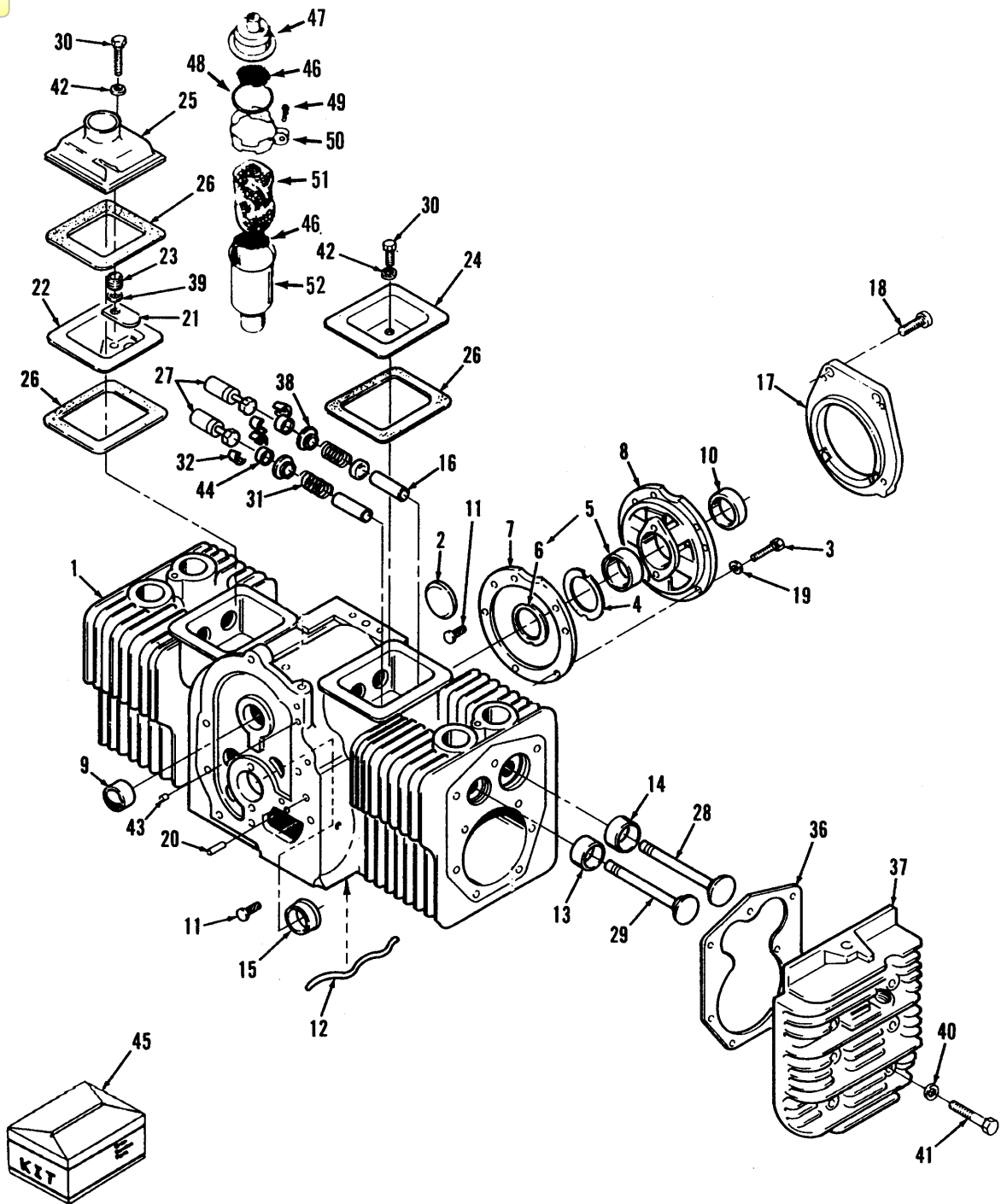


**MODEL 3016, 3018, 3020, 4016, 4018, 4020 COMPACT TRACTORS**

**PISTON, CRANKSHAFT, FLYWHEEL AND CAMSHAFT**

REF.	PART NO.	DESCRIPTION	REQ'D
1	C24931	PISTON - standard (includes pin and retaining ring).....	2
1	C24932	PISTON - .005 (0.13 mm) oversize (includes pin and retaining ring).....	2
1	C24933	PISTON - .010 (0.25 mm) oversize (includes pin and retaining ring).....	2
1	C24934	PISTON - .020 (0.51 mm) oversize (includes pin and retaining ring).....	2
1	C24935	PISTON - .030 (0.76 mm) oversize (includes pin and retaining ring).....	2
1	C24936	PISTON - .040 (1.02 mm) oversize (includes pin and retaining ring).....	2
2	C29972	PIN - piston .....	2
3	C20241	RING - retaining .....	4
4	C29739	RING SET - piston (standard).....	2
4	C24938	RING SET - piston .005" (0.13 mm) oversize .....	2
4	C24939	RING SET - piston .010" (0.25 mm) oversize .....	2
4	C24940	RING SET - piston .020" (0.51 mm) oversize .....	2
4	C24941	RING SET - piston .030" (0.76 mm) oversize .....	2
4	C24942	RING SET - piston .040" (1.02 mm) oversize .....	2
5	C29750	CONNECTING ROD - (standard) includes nut and bolt (3016, 4016) .....	2
5	C29751	CONNECTING ROD - .010" (0.25 mm) undersize, includes nut & bolt (3016, 4016).....	2
5	C20204	CONNECTING ROD - .020" (0.51 mm) undersize, includes nut & bolt (3016, 4016).....	2
5	C20205	CONNECTING ROD - .030" (.076 mm) undersize, includes nut & bolt (3016, 4016).....	2
5	C25383	CONNECTING ROD - (standard) includes nut & bolt (3018, 3020, 4018, 4020).....	2
5	C25384	CONNECTING ROD - .010" (0.25 mm) undersize, includes nut & bolt (3018, 3020, 4018, 4020).....	2
5	C25385	CONNECTING ROD - .020" (0.51 mm) undersize, includes nut & bolt (3018, 3020, 4018, 4020).....	2
5	C25386	CONNECTING ROD - .030" (0.76 mm) undersize, includes nut & bolt (3018, 3020, 4018, 4020).....	2
6	C25774	BOLT - connecting rod 5/16" special N.F .....	4
7	C25775	NUT - lock, connecting rod 5/16" N.F .....	4
8	C20223	RING - retaining .....	1
9	C24325	HUB - governor cup .....	1
10	C24326	CUP - governor .....	1
11	211- 216	BALL - governor .....	5
12	126- 9	KEY - woodruff 1/8" x 1/2" .....	1
13	C32468	CAMSHAFT - (includes pin) (3016, 3018, 4016, 4018) .....	1
13	C32469	CAMSHAFT - (includes pin) (3020, 4020) .....	1
14	C22261	GEAR ASSEMBLY - camshaft.....	1
15	C20229	WASHER - thrust .....	1
16	C20233	PIN - center .....	1
17	C32284	CRANKSHAFT - engine (3016, 4016) .....	1
17	C32285	CRANKSHAFT - engine (3018, 3020, 4018, 4020) .....	1
18	126- 9	KEY - woodruff, crankshaft gear .....	1
19	C20218	RING - retaining .....	1
20	C20219	WASHER - special .....	1
21	C22262	GEAR - crankshaft .....	1
22	C31976	KEY - square, clutch .....	1
23	C32286	FLYWHEEL - engine.....	1
24	C20226	GEAR - ring, flywheel .....	1
25	C32473	BOLT - flywheel.....	1
26	C32463	WASHER - special .....	1
27	C20303	WASHER - special .....	1
28	C32464	SCREW - #10-24 x 3/8" flange lock .....	6
29	C32287	SCREEN - flywheel .....	1
30	C32288	KEY - 3/16" x 2" special, flywheel .....	1
31	C24956	STATOR - charging.....	1
	C32458	KIT - terminal connector .....	1

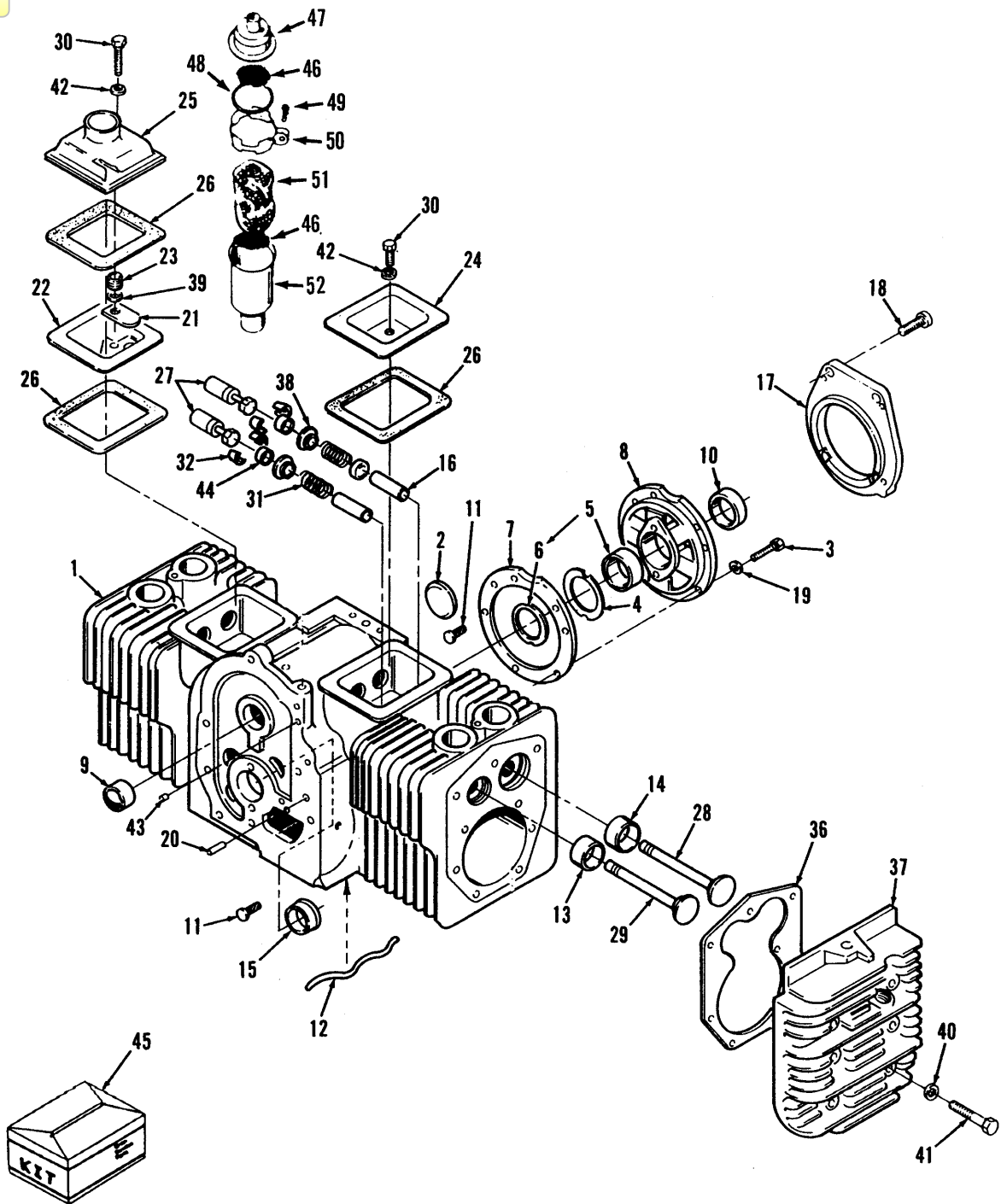
INDEX



## CYLINDER BLOCK

REF.	PART NO.	DESCRIPTION	REQ'D
1	C33243	BLOCK ASSEMBLY - short (3016, 4016) includes cylinder and crankcase, all bearings, crankshaft, camshaft, timing gear, connecting rods, pistons, piston rings, valves, oil pump and breather tube (does not include gasket set). ....	1
1	C33244	BLOCK ASSEMBLY - short (3018, 3020, 4018, 4020) includes cylinder and crankcase, all bearings, crankshaft, camshaft, timing gear, connecting rods, pistons, piston rings, valves, oil pump and breather tube (does not include gasket set).....	1
2	41-26	PLUG - welch.....	1
3	113-208	BOLT - 3/8" - 16 x 1-1/4".....	5
4	C20256	SHIM - end play, crankshaft (.005").....	UAR
5	C22618	BEARING - crankshaft, rear (includes thrust washer) (standard).....	1
5	C22619	BEARING - crankshaft, rear .002" (0.05 mm) undersize .....	1
5	C22620	BEARING - crankshaft, rear .010" (0.25 mm) undersize .....	1
5	C22621	BEARING - crankshaft, rear .020" (0.51 mm) undersize .....	1
5	C22622	BEARING - crankshaft, rear .030" (0.76 mm) undersize .....	1
6	C20267	WASHER - thrust.....	2
7	C20268	GASKET - bearing plate .....	1
8	C20269	PLATE - bearing, rear .....	1
9	C20270	BEARING - camshaft 3/4" length (service part is 5/16" length).....	2
10	C20271	SEAL - oil, crankshaft rear .....	1
11	C20272	PIN - drive, bearing stop .....	4
12	C24946	TUBE - oil.....	1
13	C29974	INSERT - valve seat, exhaust (standard) .....	2
13	C29975	INSERT - valve seat, exhaust .002" (0.05 mm) oversize .....	2
13	C29976	INSERT - valve seat, exhaust .005" (0.13 mm) oversize .....	2
13	C29977	INSERT - valve seat, exhaust .010" (0.25 mm) oversize .....	2
13	C29978	INSERT - valve seat, exhaust .025" (0.64 mm) oversize .....	2
14	C20287	INSERT - valve seat, intake (standard) .....	2
14	C20288	INSERT - valve seat, intake .002" (0.05 mm) oversize .....	2
14	C20289	INSERT - valve seat, intake .005" (0.13 mm) oversize .....	2
14	C20290	INSERT - valve seat, intake .010" (0.25 mm) oversize .....	2
14	C20291	INSERT - valve seat, intake .025" (0.64 mm) oversize .....	2
15	C20295	BEARING - crankshaft, front, flanged (standard) .....	1
15	C20296	BEARING - crankshaft, front .002" (0.05 mm) undersize .....	1
15	C20297	BEARING - crankshaft, front .010" (0.25 mm) undersize .....	1
15	C20298	BEARING - crankshaft, front .020" (0.51 mm) undersize .....	1
15	C20299	BEARING - crankshaft, front .030" (0.76 mm) undersize .....	1
16	C32274	GUIDE - valve, exhaust .....	2
16	C32275	GUIDE - valve, intake .....	2
19	192- 21	LOCKWASHER - 3/8".....	5
20	C23320	PIN - alignment, gear cover .....	2

INDEX



CYLINDER BLOCK

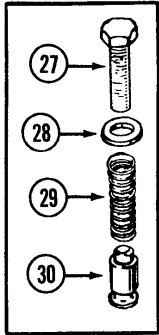
REF.	PART NO.	DESCRIPTION	REQ'D
21	C20244 *	REED - breather .....	1
22	C20245 *	BAFFLE - breather.....	1
23	C20243 *	SPRING - breather .....	1
24	C33245	COVER - valve .....	UAR
25	C24948 *	COVER - valve (with breather port).....	1
26	C20251	GASKET - valve cover.....	2
27	C20276	TAPPET - valve (standard).....	4
27	C20471	TAPPET - valve .002 (0.05 mm) oversize .....	4
27	C20277	TAPPET - valve .005 (0.13 mm) oversize .....	4
28	C32272	VALVE - intake .....	2
29	C32273	VALVE - exhaust .....	2
30	113-132	BOLT - 1/4" - 20 x 1-3/4".....	2
31	C32276	SPRING - valve .....	4
32	C32277	LOCK - valve and spring.....	8
33	C32278	SEAL - intake valve .....	2
36	C29979	GASKET - head .....	2
37	C32279	HEAD - cylinder R.H.....	1
37	C32280	HEAD - cylinder L.H.....	1
38	C32281	RETAINER - valve spring .....	4
39	195-2010	WASHER - 1/4".....	1
40	C20248	WASHER - 5/16".....	18
41	C32440	BOLT - head 2-3/8" long .....	16
42	C20247	WASHER - 1/4" copper.....	2
43	211-7 *	PLUG - core hole .....	1
44	C32282	CAP - valve .....	4
45	C29981	KIT - gasket, complete engine (does not include bearings) .....	1
45	C29982	KIT - gasket, (carbon removal/valve grind).....	1
46	C20504 **	SCREEN - breather tube .....	2
47	C20490 **	VALVE - breather cap.....	1
48	C20493 **	"O" RING - breather cap .....	1
49	C22265 **	SCREW - #8 x 3/4 self tapping.....	1
50	C20536 **	CLAMP - breather cap.....	1
51	C29948 **	FILTER - breather .....	1
52	C33247 **	TUBE - breather.....	1

\* Use before S/N:

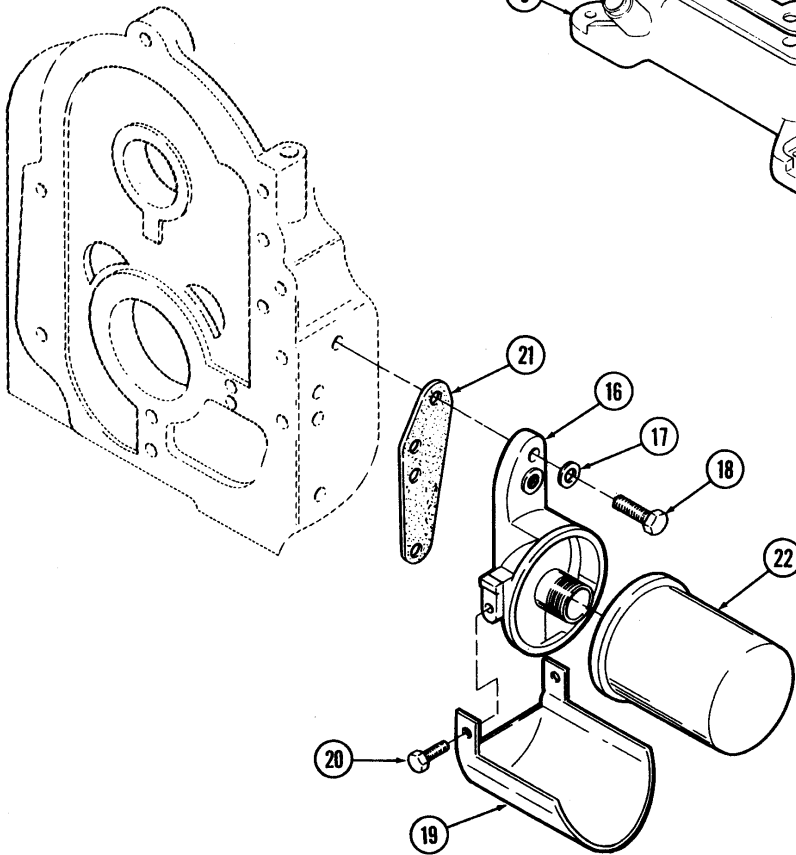
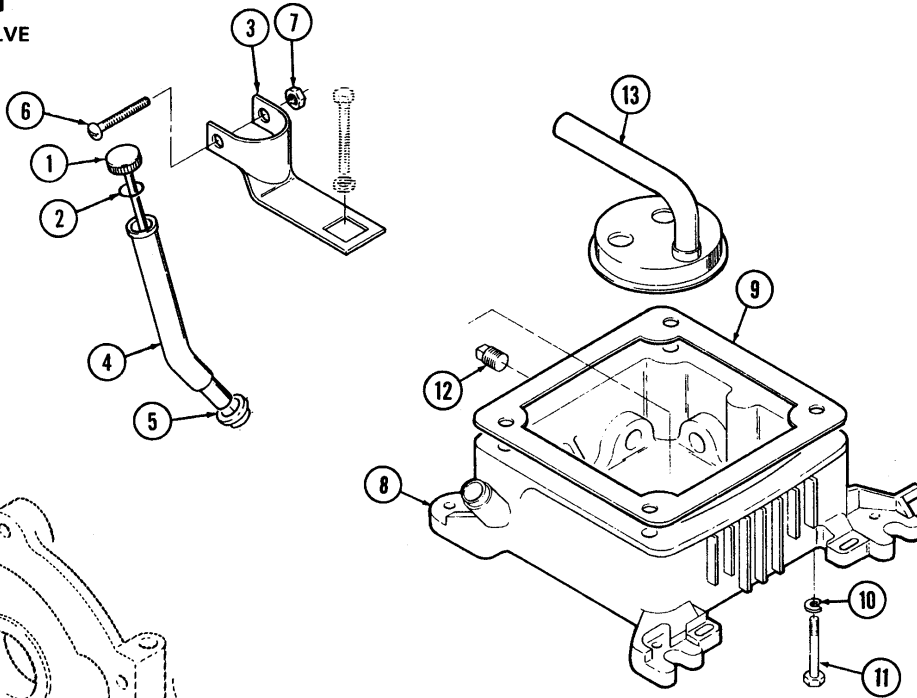
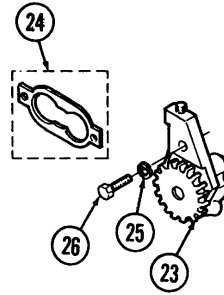
\*\* Use S/N and after:

- 3016 - 14127138
- 3018 - 14132690
- 3020 - 14133215
- 4016 - 14128811
- 4018 - 14129997
- 4020 - 14131216

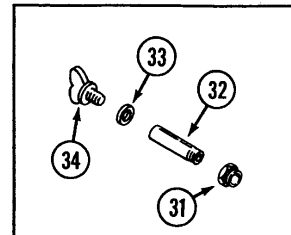
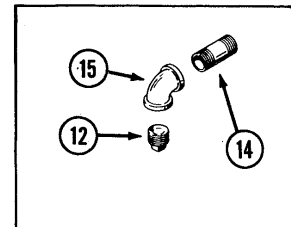
**INDEX**



**OIL BYPASS VALVE**



**OIL DRAIN  
EARLY PRODUCTION**



**OIL DRAIN  
LATE PRODUCTION**

**MODEL 3016, 3018, 3020, 4016, 4018, 4020 COMPACT TRACTORS**

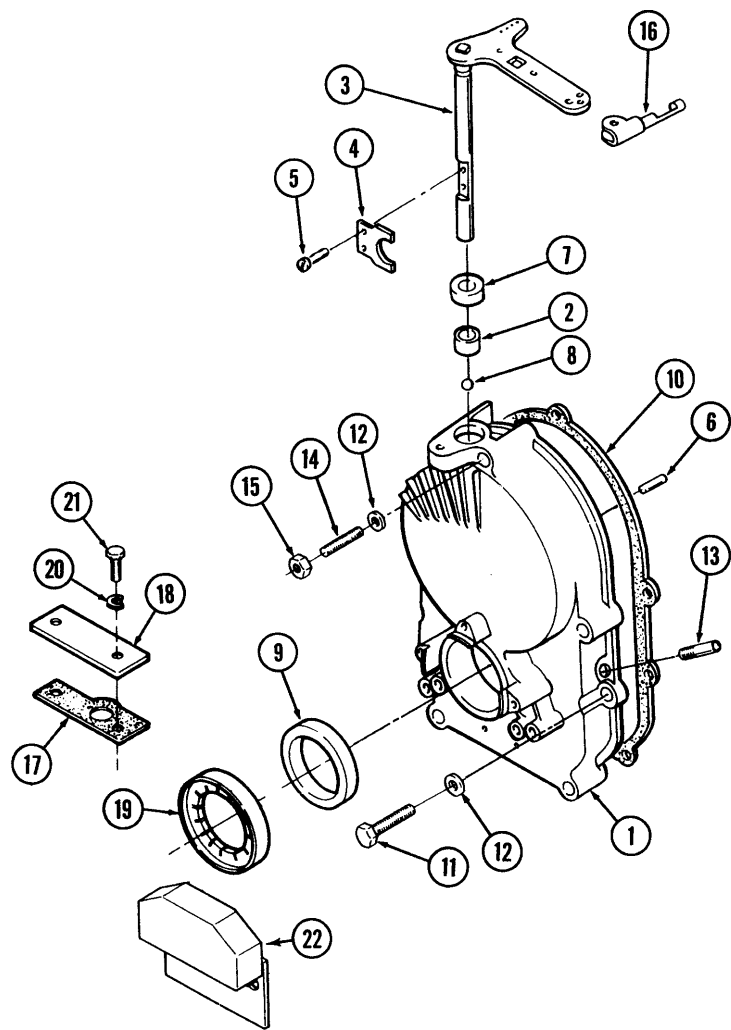
**OIL BASE, PUMP, FILTER AND FILLER TUBE**

REF.	PART NO.	DESCRIPTION	REQ'D
1	C32290	DIPSTICK - oil level indicator.....	1
2	C32465	O-RING .....	1
3	C32291	BRACKET - fill tube.....	1
4	C32292	TUBE - oil fill .....	1
5	C32293	SEAL - tube .....	1
6	C32466	SCREW - #10 x 1-1/4" pan-head .....	1
7	C32467	NUT - speed (type U).....	1
8	C32289	BASE - oil (includes plugs) .....	1
9	C29984	GASKET - oil base .....	1
10	192-21	LOCKWASHER - 3/8" .....	4
11	113-252	BOLT - 3/8" - 16 x 3-3/4" .....	4
12	221-3	PLUG - oil base 3/8" .....	2
13	C23321	CUP - intake, oil pump .....	1
14	221-167	NIPPLE - pipe 3/8" x 3-1/2 .....	1
15	221-376	ELBOW - pipe 3/8" x 90° .....	1
16	C20565	ADAPTER - oil filter.....	1
17	C20331	WASHER - 5/16" copper .....	2
18	113-103	BOLT - 5/16" - 18 x 1" .....	2
19	C25389	DRAIN - oil filter .....	1
20	182-525	BOLT - #10 - 32 x 3/8" .....	2
21	C32462	GASKET - oil filter adapter.....	1
22	C26191	FILTER - oil .....	1
23	C29734	PUMP - oil .....	1
24	C20325	KIT - gasket, oil pump .....	1
25	192-19	LOCKWASHER - 1/4" .....	2
26	113-4	BOLT - 1/4" - 20 x 1" .....	2
27	C32474	BOLT - 3/8" - 24 x 7/8" oil bypass .....	1
28	C20574	WASHER - 3/8" copper.....	1
29	C20320	SPRING - oil bypass valve.....	1
30	C20322	VALVE - oil bypass .....	1
31	221-86 *	REDUCER - pipe 3/8" - 14 to 1/4" .....	1
32	C19473 *	NIPPLE - pipe 2.5" .....	1
32	C33949 **	NIPPLE - oil drain 3.5" .....	1
33	C14906 *	GASKET - oil drain.....	1
34	C14399 *	PLUG - oil drain.....	1
34	218-5154 **	PLUG - 1/2" -20.....	1

\* Use on 4020 before PIN 14176500  
3016, 3018, 3020, 4016, 4018 - All

\*\* Use on 4020 PIN 14176500 and after

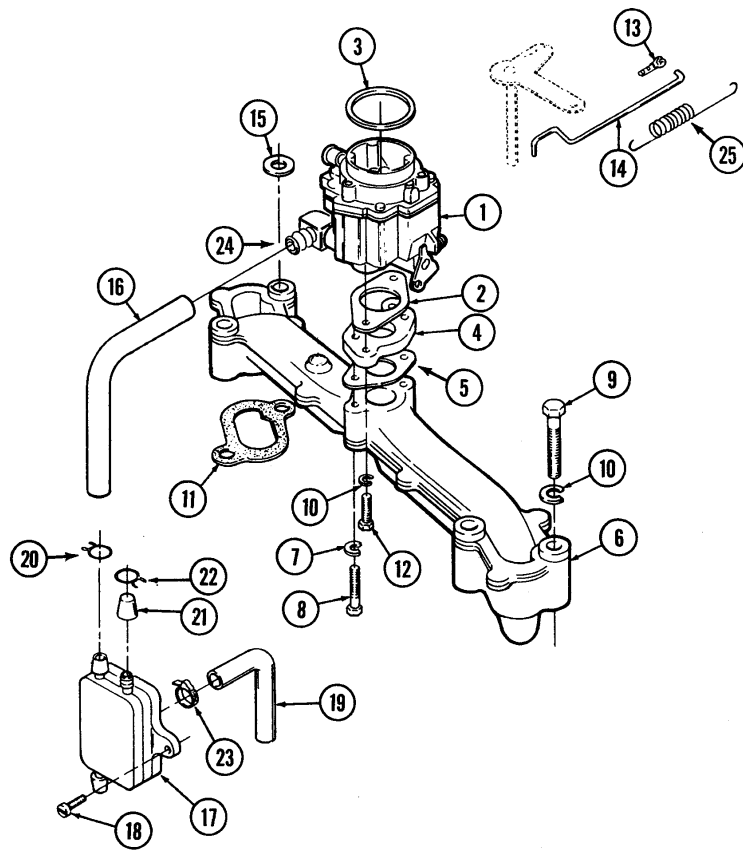
INDEX



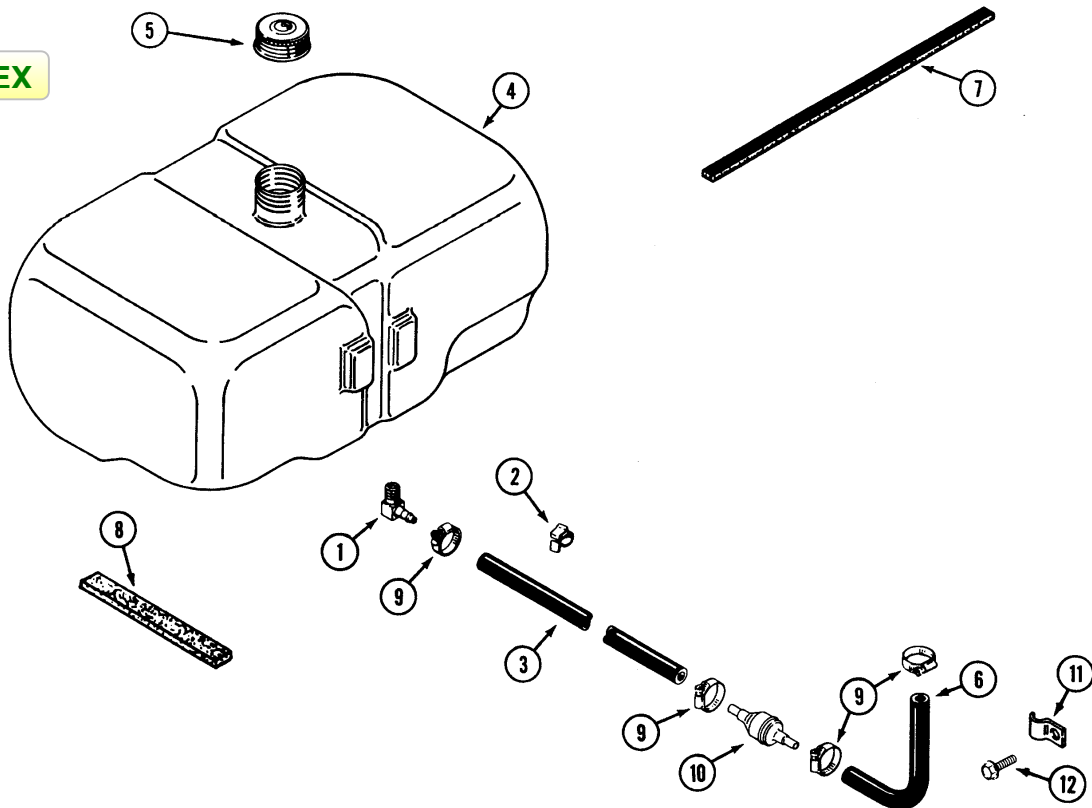
**GOVERNOR GEARCASE AND IGNITION ROTOR**

REF.	PART NO.	DESCRIPTION	REQ'D
1	C32457	GEARCASE ASSEMBLY - governor .....	1
2	C20305	BEARING - governor shaft .....	1
3	C22632	SHAFT AND ARM .....	1
4	C20307	YOKE - governor shaft.....	1
5	182-84	SCREW - #8 - 32 x 3/8" .....	2
6	C20309	PIN - governor cup stop.....	1
7	C20310	SEAL - oil, governor shaft.....	1
8	211-5	BALL - bearing, governor shaft.....	1
9	C20312	SEAL - oil, crankshaft .....	1
10	C20313	GASKET - mounting.....	1
11	113-120	BOLT - 5/16" - 18 x 1-3/4" .....	4
12	C20331	WASHER - 5/16" copper .....	5
13	C20412	TUBE - vacuum port (included in assembly) .....	1
14	C29985	STUD - gear cover .....	1
15	131-911	NUT-5/16"-18 .....	1
16	C29989	CLIP - retaining .....	1
17	C20345	GASKET - plate.....	1
18	C32452	PLATE - plunger cover.....	1
19	C32297	ROTOR - ignition.....	1
20	192-19	LOCKWASHER - 1/4" .....	2
21	113- 2	BOLT - 1/4" - 20 x 5/8" .....	2
22	C32294	CONTROL - ignition .....	1

INDEX



INDEX



**INDEX**

**FUEL SYSTEM (ENGINE)**

REF.	PART NO.	DESCRIPTION	REQ'D
1	C29868	CARBURETOR - fuel (3016, 3018, 4016, 4018) <a href="#">repairs page 19</a> .....	1
1	C29869	CARBURETOR - fuel (3020, 4020) <a href="#">repairs page 19</a> .....	1
2	C29969	GASKET - carburetor mounting .....	1
3	C29944	SEAL - "O" ring.....	1
4	C29952	ADAPTER - carburetor.....	1
5	C29953	GASKET - adapter .....	1
6	C32450	MAINIFOLD - intake .....	1
7	192-19	LOCKWASHER - 1/4" .....	2
8	113-65	BOLT - 1/4" - 20 x 1-3/8" .....	2
9	113-121	BOLT - 5/16" - 18 x 2" .....	4
10	192-20	LOCKWASHER - 5/16" .....	6
11	C26202	GASKET - manifold .....	2
12	113-103	BOLT - 5/16" - 18 x 1" .....	2
13	C20360	CLIP - retaining, control rod to carburetor .....	1
14	C29988	ROD - governor control .....	1
15	195-2027	WASHER - 5/16" .....	1
16	NSS	HOSE - fuel (use C28937 cut to length).....	1
17	C29959	PUMP - fuel .....	1
18	182-559	SCREW - tapping #10 - 24 x 5/8" .....	2
19	NSS	HOSE - vacuum (use C28937 cut to length).....	1
20	214-103	CLAMP - hose 1/2" (wire).....	UAR
21	C20411	CAP - fuel outlet .....	UAR
22	NSS	CLAMP - hose 7/16" (wire) (use C32376).....	UAR
23	C32376	CLAMP - hose 1/2" (worm drive).....	1
24	C10678	ELBOW - hose 90° .....	1
25	C33406	SPRING - governor rod (optional).....	1

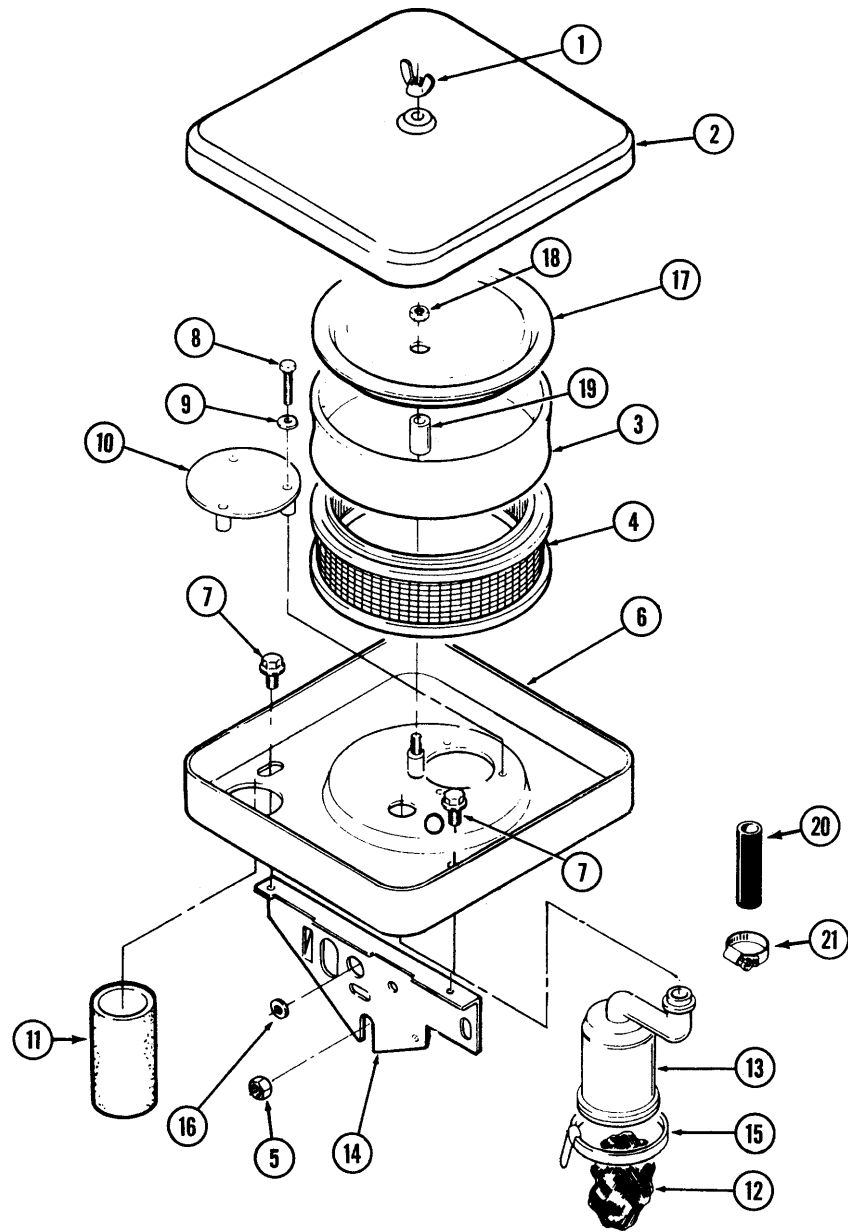
**INDEX**

**FUEL SYSTEM (TRACTOR)**

1	C10678	ELBOW-hose 90° .....	1
2	C28962	RETAINER - fuel line.....	1
3	NSS	HOSE - fuel line 50" (1270 mm) (use C28937 cut to length) .....	1
4	C28940 *	TANK - fuel, 1.5" filler neck.....	1
4	C44818 *	TANK - fuel, 1.75" filler neck.....	1
5	C37094 *	CAP - fuel tank 1.5" threads (includes insert) .....	1
5	C44819 *	CAP - fuel tank 1.75" threads (includes insert) .....	1
6	NSS	HOSE - fuel line (use C28937 cut to length) .....	1
7	C23527	LINER - tank.....	1
8	C14690	CUSHION - fuel tank .....	2
9	C32376	CLAMP - hose 1/2" .....	4
10	C31978	FILTER - fuel .....	1
11	C24689	CLIP - "J" fuel line retaining.....	1
12	187-1036	SCREW - 1/4" - 20 self tap.....	1

\* Measure cap or filler neck width for correct part.

INDEX



**INDEX**

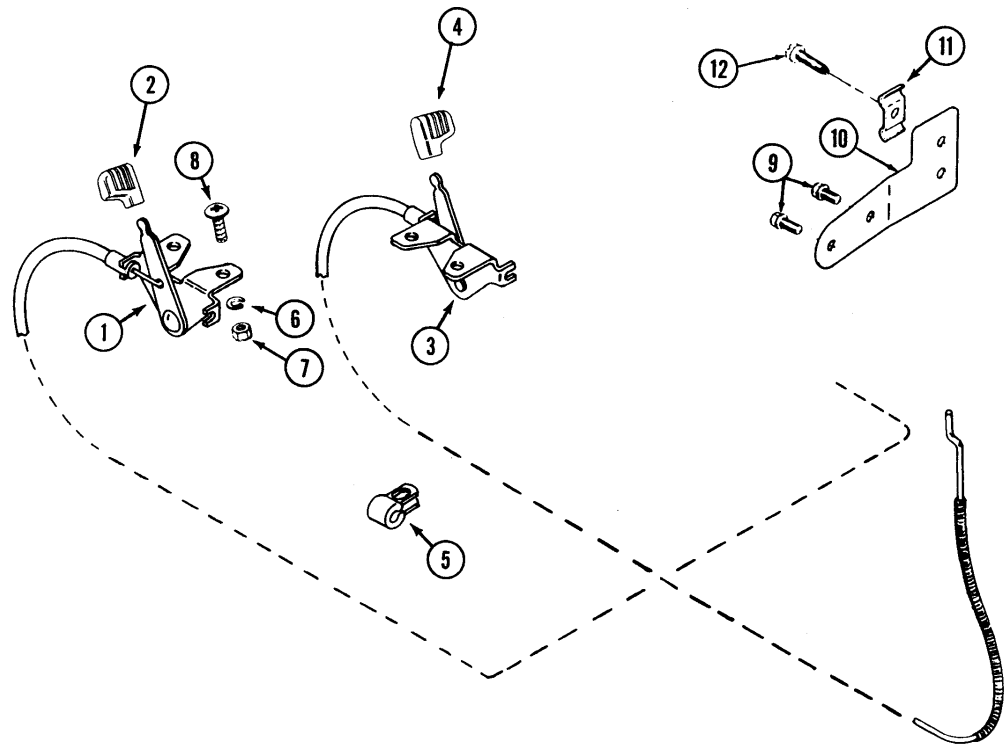
MODEL 3016, 3018, 3020, 4016, 4018, 4020 COMPACT TRACTORS

AIR CLEANER

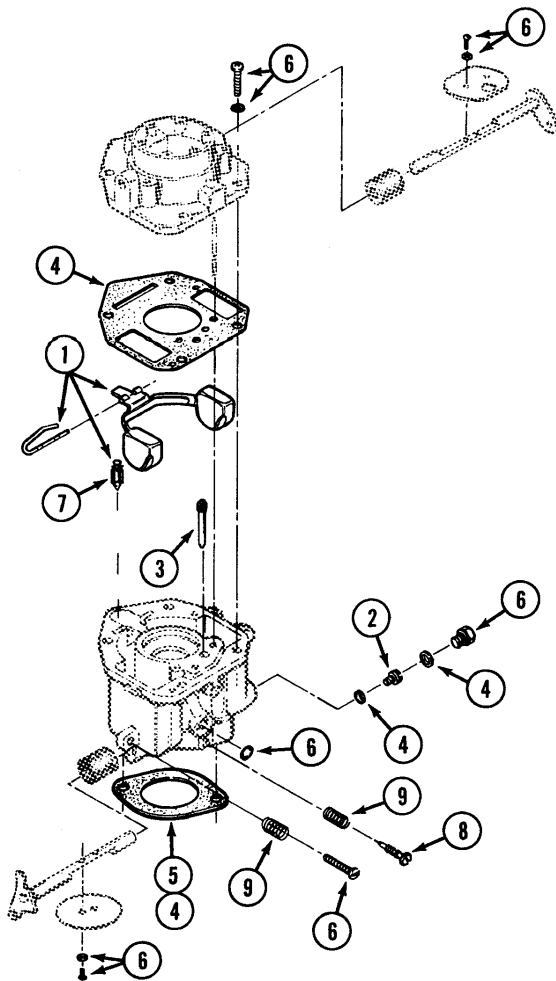
REF.	PART NO.	DESCRIPTION	REQ'D
1	C26703	NUT - wing 1/4" - 20.....	1
2	C32302	COVER - air cleaner .....	1
3	C22581	PRECLEANER.....	1
4	C22424	ELEMENT - air cleaner .....	1
5	131-911	NUT - 5/16" - 18 flange .....	1
6	C32303	HOUSING - air cleaner .....	1
7	187-1036	BOLT - 1/4" - 20 x 3/8" tapping, washer head .....	2
8	182-152	SCREW - machine #10 - 32 x 1-1/2" .....	3
9	195-516	WASHER - #10 .....	3
10	C29946	DEFLECTOR - air .....	1
11	C32304	TUBE - air intake.....	1
12	C29948 *	FILTER - breather .....	1
13	C29949 *	TUBE - crankcase breather .....	1
14	C32305	SUPPORT - air cleaner.....	1
15	NSS *	CLAMP - breather tube (use 214-258) .....	1
16	C30033	GROMMET - rubber.....	1
17	C32306	COVER - element .....	1
18	131-71	NUT - lock 1/4" - 20.....	1
19	C32451	SPACER - air cleaner stud .....	1
20	C33246 **	HOSE - breather .....	1
21	214-251 **	CLAMP-hose.....	1

\* Use before S/N:  
 \*\* Use S/N and after:  
 3016 - 14127138  
 3018 - 14132690  
 3020 - 14133215  
 4016 - 14128811  
 4018 - 14129997  
 4020 -14131216

INDEX



INDEX



**INDEX**

MODEL 3016, 3018, 3020, 4016, 4018, 4020 COMPACT TRACTORS

**CHOKE AND THROTTLE**

REF.	PART NO.	DESCRIPTION	REQ'D
1	C33414 *	CONTROL - throttle.....	1
1	C37226 **	CONTROL - throttle.....	1
2	C30073 *	HANDLE - throttle control, orange, Flag Style.....	1
2	C35291 **	HANDLE - control, black, Knob Style.....	1
2	C35291 ***	HANDLE - control, black, Knob Style.....	1
3	C31893 *	CONTROL - choke.....	1
3	C37227 **	CONTROL - choke.....	1
3	C46340 ***	CONTROL - choke.....	1
4	C30074 *	HANDLE - choke control, black.....	1
4	C35291 **	HANDLE - control, black.....	1
4	C46369 ***	HANDLE - control, black.....	1
5	C31977	CLIP - cable (single cable) shown.....	2
5	C33218	CLIP - cable (dual cable).....	1
6	192-18	LOCKWASHER - No. 10 (early production).....	2
7	C34117	NUT - No. 10 - 24 flange lock.....	2
8	182-559	BOLT - No. 10 - 24 x 3/4" Phillips, black.....	2
9	C22369	BOLT - washer head #10 - 32 x 5/16".....	2
10	C29957	BRACKET - choke cable.....	1
11	C29506	CLIP - retaining, choke cable.....	1
12	187-1511	SCREW - tapping #10 - 32 x 1/2".....	1

\* Use on 3016, 3018, 3020, 4016, 4018 – Up to PIN 14190553  
4020 - before PIN 14176500

\*\* Use on 4020 - PIN 14176500 to PIN 14190553

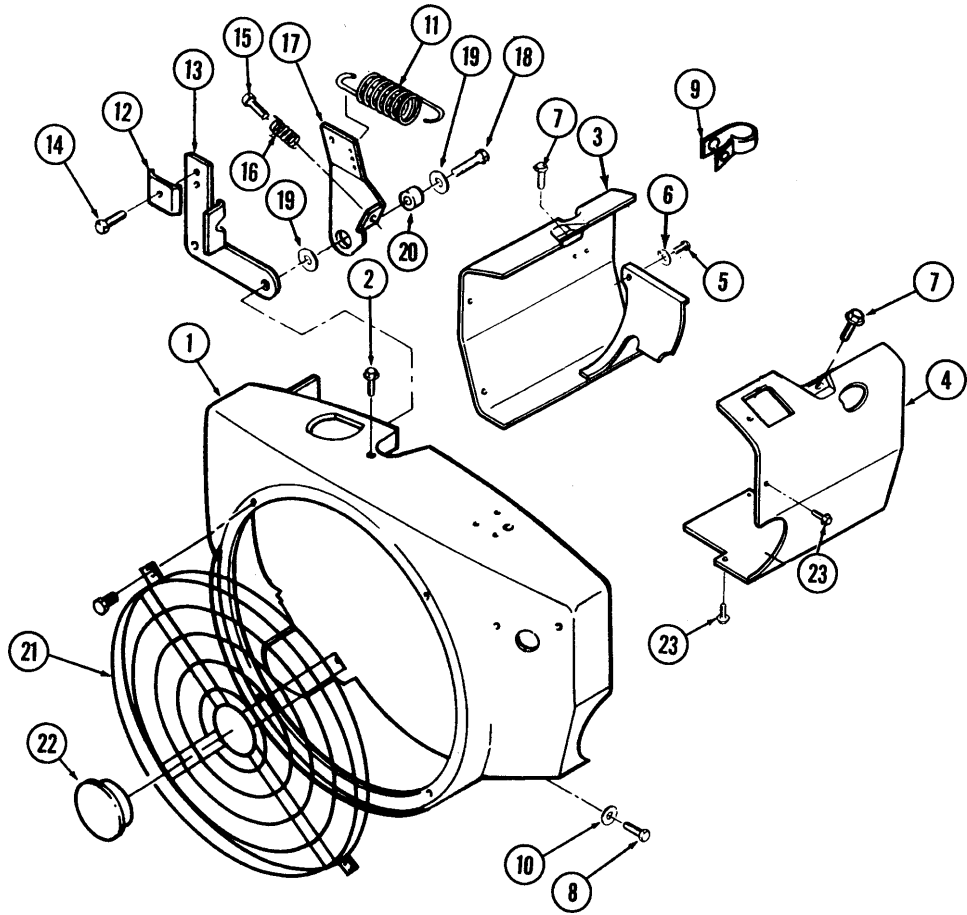
\*\*\* Use on 4016, 4018, 4020 After PIN 14190553

**INDEX**

**CARBURETOR**

	C29868	CARBURETOR - fuel (3016, 3018, 4016, 4018).....	1
	C29869	CARBURETOR - fuel (3020, 4020).....	1
1	C29965	KIT - float.....	1
2	C29966	JET - power (3016, 3018, 4016, 4018).....	1
2	C30015	JET - power (3020, 4020).....	1
3	C29967	JET - idle -.....	1
	C29962	KIT - repair.....	1
4	NSS	GASKET AND SEAL PACKAGE.....	1
5	C29969	GASKET - mounting.....	1
6	NSS	SCREW AND PLUG PACKAGE.....	1
7	NSS	VALVE - inlet.....	1
8	NSS	VALVE - idle adjust.....	1
9	NSS	SPRING - tension.....	2

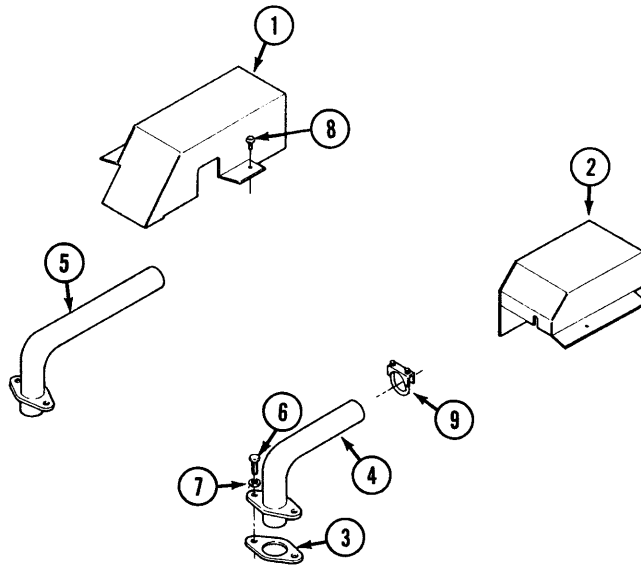
**INDEX**



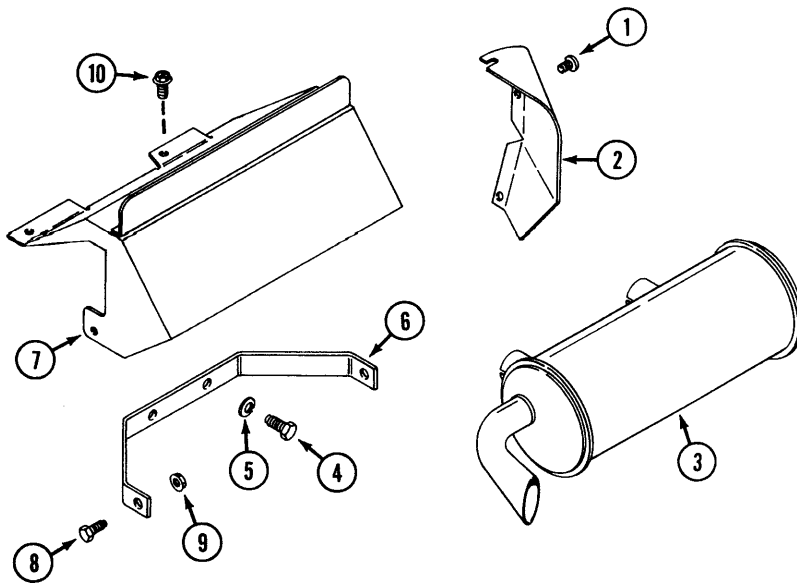
**BLOWER HOUSING AND GOVERNOR**

1	C32308	HOUSING - blower .....	1
2	163-22	SCREW - tapping, washerhead 1/4" - 20 x 7/16" .....	1
3	C32444	HOUSING - cylinder air L.H .....	1
4	C32445	HOUSING - cylinder air R.H.....	1
5	187-1073	SCREW - tapping, washerhead 1/4" - 20 x 5/8" .....	2
6	195-102	WASHER - 1/4" .....	2
7	C32446	BOLT - 5/16" - 18 x 3/4" washerhead.....	2
8	187-1073	SCREW - 1/4" - 20 x 5/8" tapping, washerhead.....	4
9	C32447	CLAMP - wire .....	1
10	195-518	WASHER - 1/4" .....	4
11	C20376	SPRING - governor .....	1
12	C29506	CLAMP - cable .....	1
13	C28719	BRACKET - cable.....	1
14	187-511	SCREW - tapping #10 - 32 x 1/2" .....	1
15	182-49	SCREW - tapping #6 - 32 x 5/8" .....	1
16	C20371	SPRING - idle setting .....	1
17	C32311	ARM - governor .....	1
18	121-3	BOLT - 1/4" - 20 x 1/2" washerhead.....	2
19	195-102	WASHER - 1/4" .....	2
20	C20375	BUSHING - arm, governor .....	1
21	NSS	SCREEN - blower housing (not used).....	1
22	NSS	PLUG - screen (not used) .....	1
23	187-1036	BOLT - 1/4" - 20 x 1/2" flange lock .....	UAR

**INDEX**



**INDEX**



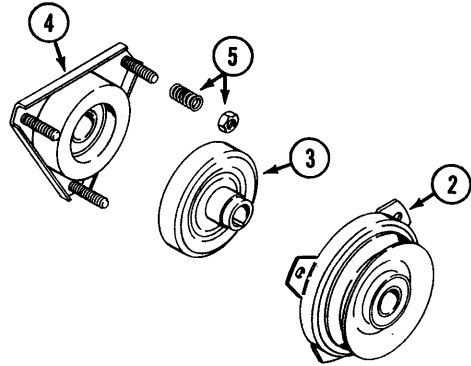
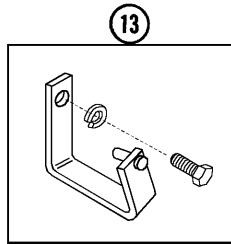
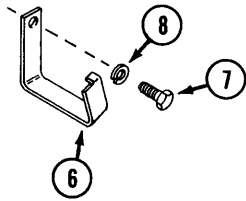
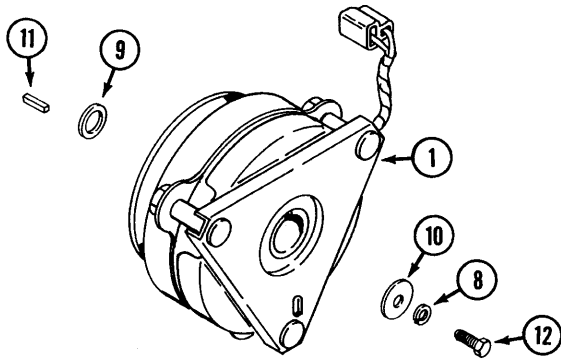
**EXHAUST PIPES AND COVERS**

REF.	PART NO.	DESCRIPTION	REQ'D
1	C32321	COVER - exhaust pipe L.H.....	1
2	C32322	COVER - exhaust pipe R.H.....	1
3	C26207	GASKET - exhaust.....	2
4	C32324	PIPE - exhaust R.H.....	1
5	C32325	PIPE - exhaust L.H.....	1
6	61-512	BOLT - 5/16" x 5/8" socket head.....	4
7	192-404	LOCKWASHER - 5/16".....	4
8	NSS	SCREW - 1/4" - 20 x 3/8" washerhead (use C31597).....	2
9	C31417	CLAMP-exhaust.....	2
	129-102	NUT - 5/16" - 18.....	2

**MUFFLER AND SHIELDS**

1	C 31597	SCREW - 1/4" - 20 x 1/2" black.....	2
2	C 31415	SHIELD - head baffle extension L.H.....	1
3	C 33425	MUFFLER - exhaust.....	1
4	113-208	BOLT - 3/8" - 16 x 1-1/4".....	2
5	192-21	LOCKWASHER - 3/8".....	2
6	C 31420	STRAP - mounting.....	1
7	C 31421	SHIELD - muffler.....	1
8	113-3	BOLT - 1/4" - 20 x 3/4" hex.....	2
9	131-934	NUT - 1/4" - 20 flange lock.....	2
10	187-1036	SCREW - 1/4" - 20 x 1/2" self-tap.....	4
	C33028	KIT - exhaust deflector (optional).....	1
	121-21	BOLT - 1/4" - 20 x 1/2".....	1
	131-934	NUT - 1/4" flange lock.....	1

**INDEX**

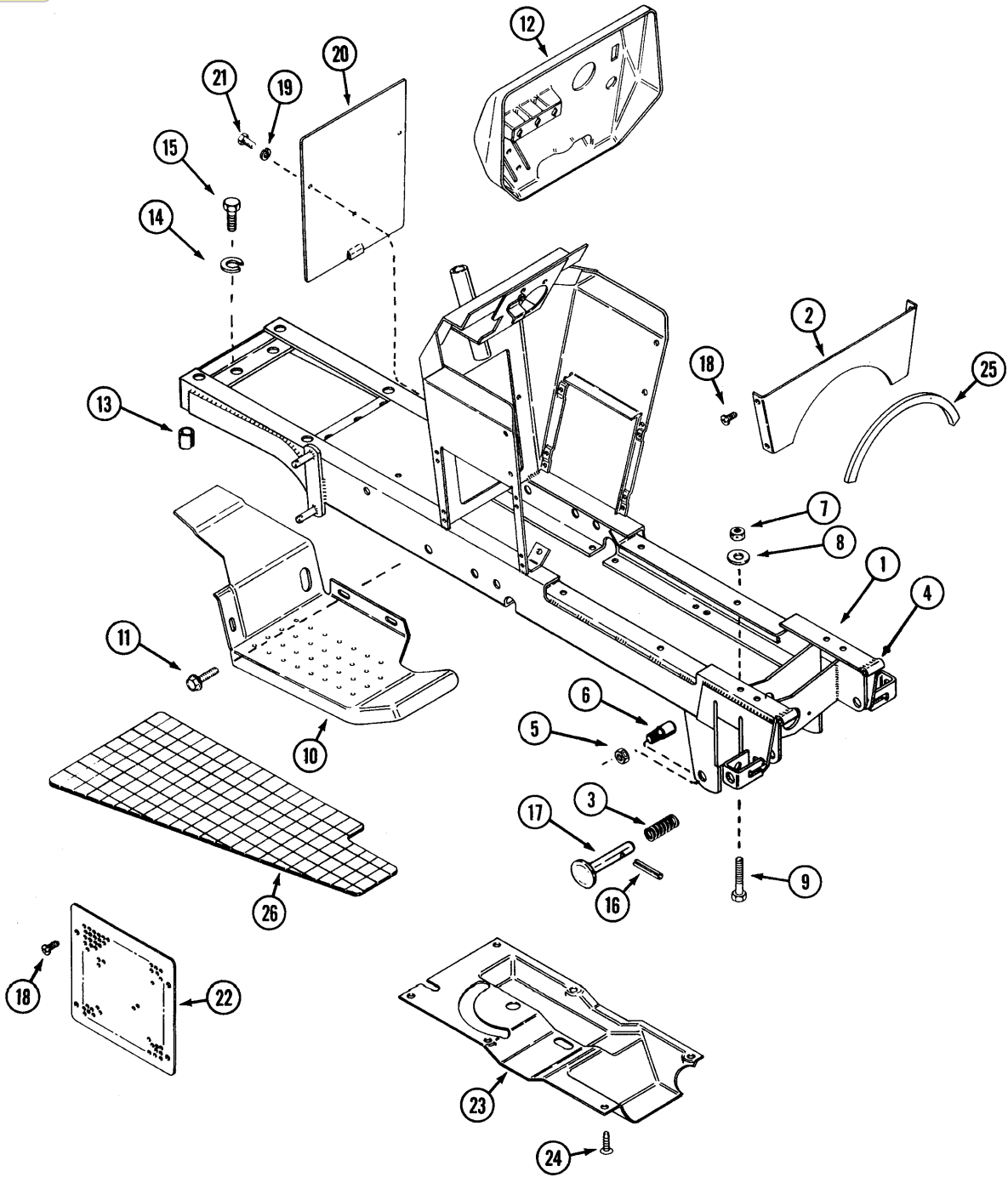


**PTO ELECTRIC CLUTCH**

1	NSS *	CLUTCH - PTO (use C33201 kit – includes items 1, 8, 9, and 12) .....	1
1	C46993 +	CLUTCH-PTO .....	1
1	C33198 **	CLUTCH-PTO .....	1
2	C32382 **	ARMATURE - clutch .....	1
3	C32383 **	ROTOR - clutch .....	1
4	C32384 **	FIELD - clutch .....	1
5	C32381	KIT - spring and nut .....	1
6	C33199	BRACKET - anti-rotation .....	1
7	113-206	BOLT - 3/8" - 16 x 3/4" (secure with LOCK TITE).....	1
8	192-21	LOCKWASHER - 3/8" .....	2
9	C29811	SPACER - clutch .100".....	UAR
9	C15557	SPACER - clutch .050".....	UAR
9	C33200	SPACER - clutch .250".....	UAR
10	C31615	WASHER - clamping.....	1
11	C31976	KEY - 1/4" x 1/4" x 1-1/4" .....	1
12	114-203	BOLT - 3/8" 24 x 1-1/2" .....	1
13	C47442	KIT – Anti Rotation Bracket.....	1
	C47422	BRACKET - anti-rotation .....	1
	113-207	BOLT - 3/8" - 16 x 1" (secure with LOCK TITE) .....	1
	192-21	LOCKWASHER - 3/8" .....	1

- \* Use before S/N:
- \*\* Use S/N and after:
  - 3016 – 14126917 to S/N 17191880
  - 3018 – 14132580 to S/N 17191880
  - 3020 – 14133202 to S/N 17191880
  - 4016 – 14128593 to S/N 17191880
  - 4018 – 14129744 to S/N 17191880
  - 4020 – 14130984 to S/N 17191880
- + Use after SN 17191880

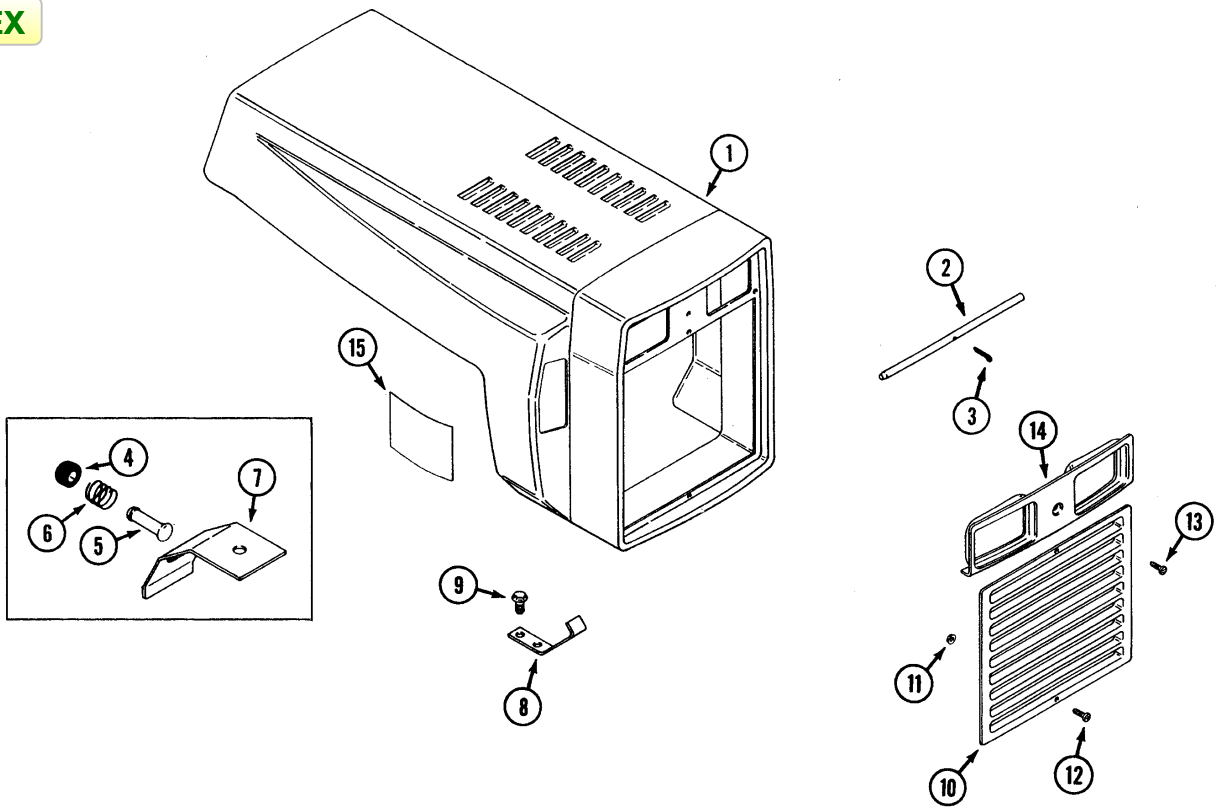
INDEX



## FRAME, FOOT PADS AND BELLY PAN

REF.	PART NO.	DESCRIPTION	REQ'D
1	C31625	FRAME - main (3016, 3018, 3020) .....	1
1	C31627	FRAME - main (4016, 4018, 4020 before PIN 14176500) .....	1
1	C43222	FRAME - main (4020 PIN 14176500 and after) .....	1
2	C31610	SHIELD - oil tank .....	1
3	C24137	SPRING - latch .....	1
4	C22023	HINGE - frame .....	2
5	131-1318	NUT - lock 1/2" N.F. ....	2
6	C27508	PIN - attachment .....	2
7	131-1352	NUT - lock 3/8" N.C. flange .....	4
8	195-525	WASHER - 3/8" x 13/16" (over engine foot pad) early production .....	4
9	113-208	BOLT - 3/8" - 16 x 1-1/4" .....	4
10	C30458	REST - foot L.H. (3016, 3018, 3020) .....	1
10	C30460	REST - foot R.H. (3016, 3018, 3020) shown .....	1
10	C30462	REST - foot L.H. (4016, 4018, 4020 before PIN 14176500) .....	1
10	C30464	REST - foot R.H. (4016, 4018, 4020 before PIN 14176500) .....	1
10	C37136	REST - foot L.H. (4020 PIN 14176500 and after) .....	1
10	C37138	REST - foot R.H. (4020 PIN 14176500 and after) .....	1
11	121-106	BOLT - 5/16" x 1/2" N.C. flange lock .....	4
12	C31368	CAP - instrument panel (on 4020 use before PIN 14176500) .....	4
12	C37167	CAP - instrument panel (4020 PIN 14176500 and after) .....	1
12	C31368	CAP instrument panel (3016, 3018, 3020, 4016, 4018) .....	1
13	C14730	SPACER - rear, frame (3016, 3018, 3020) .....	2
14	192-23	LOCKWASHER - 1/2" .....	4
15	113-424	BOLT - 1/2" - 13 x 1" transaxle mounting .....	UAR
15	166-85	BOLT - 1/2" x 1", 12 pt. flange .....	UAR
16	138-2073	PIN - roll 3/16" x 1-1/4" .....	2
17	C16373	PIN - latch .....	2
18	C31597	BOLT - 1/4" - 20 x 1/2" black .....	12
19	192-19	LOCKWASHER - 1/4" .....	2
20	C31359	COVER - access .....	1
21	187-1036	SCREW - 1/4" - 20 x 1/2" self tap .....	2
22	C31967	SCREW - tower side .....	2
23	C31369	PAN - belly .....	1
24	C31603	RETAINER - belly pan .....	6
25	C33472	SEAL - engine air (4020 PIN 14176500 and after) .....	1
26	C37140	PAD - footrest L.H. (4020 PIN 14176500 and after) .....	1
26	C37141	PAD - footrest R.H. (4020 PIN 14176500 and after) .....	1

**INDEX**



**INDEX**

**MODEL 3016, 3018, 3020, 4016, 4018, 4020 COMPACT TRACTORS**

**HOOD AND GRILLE**

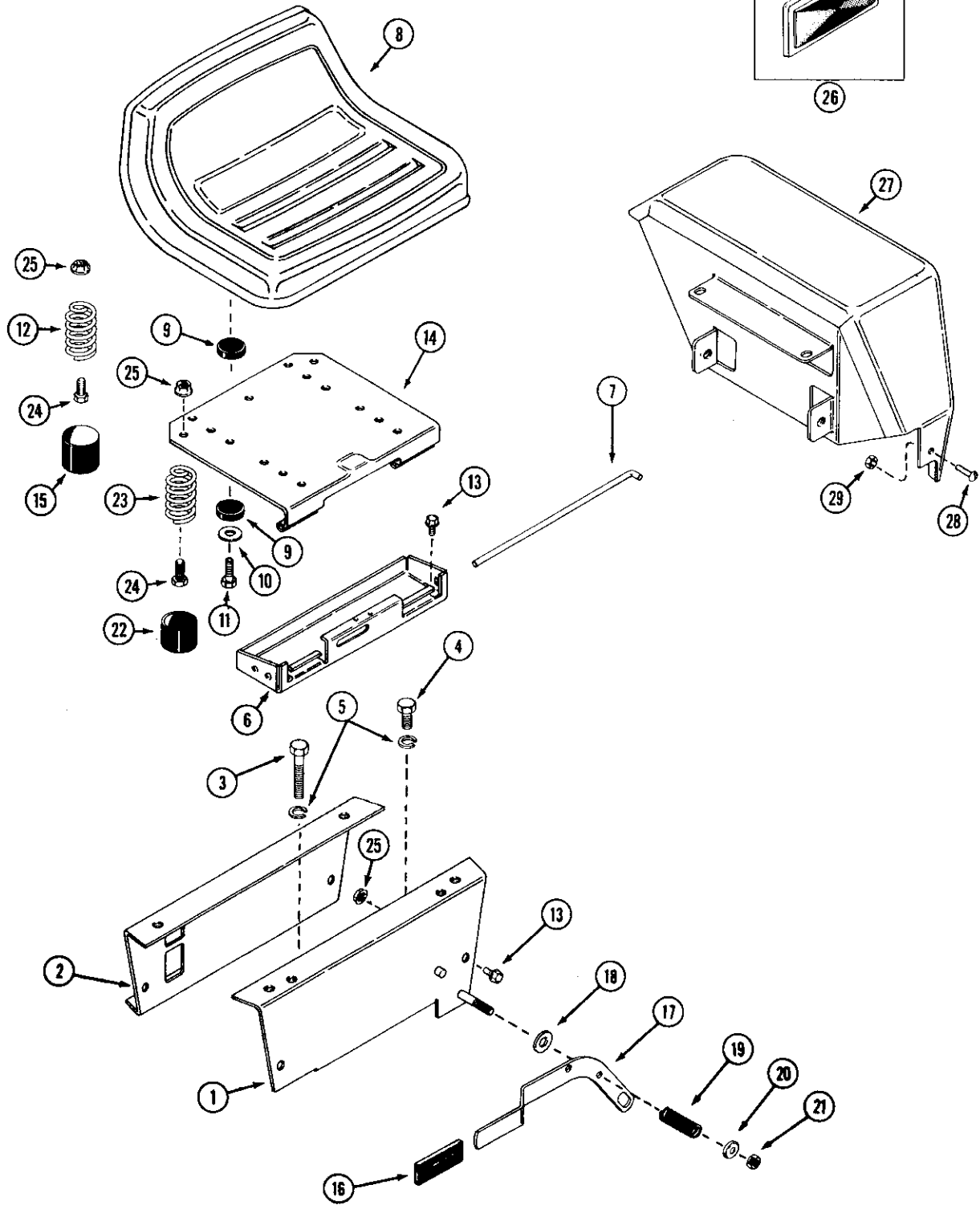
REF.	PART NO.	DESCRIPTION	REQ'D
1	C31353	HOOD .....	1
	C31357	HINGE - hood (not shown) is welded to hood .....	1
2	C16362	ROD - hood hinge .....	1
3	132-334	PIN - cotter 1/8" x 3/4" .....	1
4	C29314	BUTTON - push, hood release .....	1
5	C30126	ROD - push, hood release .....	1
6	C30004	SPRING - release .....	1
7	C33467	LATCH - hood .....	1
8	C31611	BRACKET - hood stop .....	2
9	121-106	BOLT - 5/16" - 18 x 1/2" flange lock .....	4
10	C31365	GRILLE .....	1
11	131-934	NUT - 1/4" - 20 flange lock .....	2
12	C31597	SCREW - 1/4" - 20 x 1/2" black .....	2
13	187-1328	SCREWS - #8 - 18 x 3/8" .....	1
14	C31366	SHROUD - headlight .....	1
15	C31612	SHIELD-heat .....	1

**INDEX**

**MODEL 3016, 3018, 3020, 4016, 4018, 4020  
COMPACT TRACTORS**

**SEAT, FENDERS AND TOOL TRAY  
3016, 3018, 3020, 4016, 4018 - ALL  
4020 - before PIN 14176500**

**AFTER THIS PIN**



**MODEL 3016, 3018, 3020, 4016, 4018, 4020 COMPACT TRACTORS**

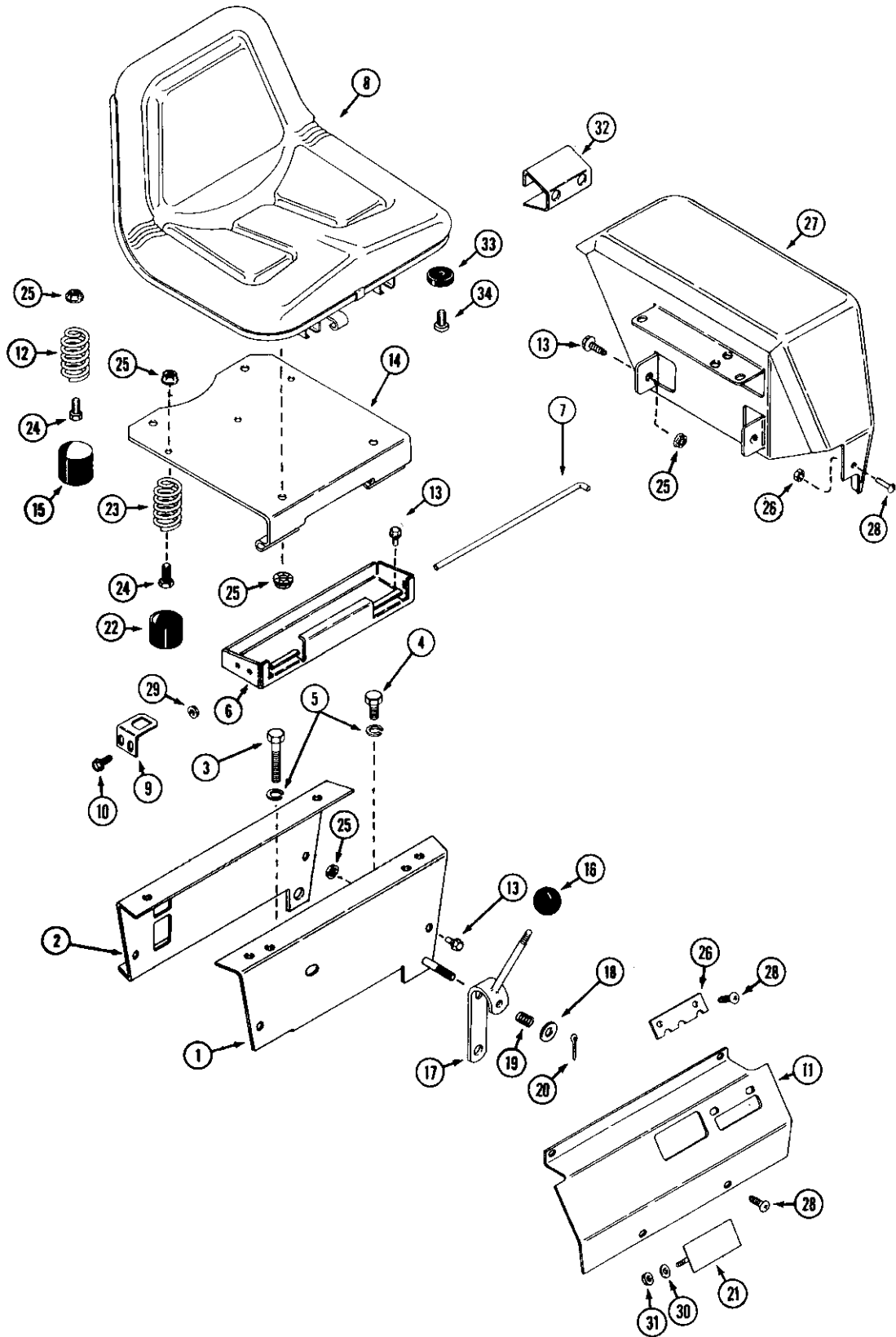
**SEAT, FENDERS AND TOOL TRAY  
3016, 3018, 3020, 4016, 4018 - ALL  
4020 - before PIN 14176500**

**AFTER THIS PIN**

REF.	PART NO.	DESCRIPTION	REQ'D
1	C31020	SUPPORT - seat, front shown (3016, 3018, 3020).....	1
1	C31021	SUPPORT - seat, front (4016, 4018, 4020) .....	1
2	C26827	SUPPORT - seat, rear (3016, 3018, 3020) .....	1
2	C27224	SUPPORT - seat, rear (4016, 4018, 4020) .....	1
3	113-427	BOLT - 1/2" x 3-1/4" (3016, 3018, 3020).....	2
3	113-441	BOLT - 1/2" x 2-1/4" N.C. hex (4016, 4018, 4020).....	2
4	113-424	BOLT - 1/2" x 1" N.C. hex.....	1
4	113-118	BOLT - 5/16" x 5/8".....	1
5	192-20	LOCKWASHER - 5/16" .....	1
5	192-23	LOCKWASHER - 1/2" .....	4
6	C31004	TRAY - tool.....	1
7	C16429	PIN - seat hinge.....	1
8	C30071	SEAT - shown (black) (3016, 3018, 3020) low back.....	1
8	C30066	SEAT - (black) (4016, 4018, 4020).....	1
8	C30067	SEAT - (black) 3016, 3018, 3020 high back .....	1
9	C15410	CUSHION - rubber .....	8
10	195-2175	WASHER - 5/16" x 1-1/4" OD, zinc .....	4
11	113-122	BOLT - 5/16" x 1-1/2" .....	4
12	C31006	SPRING - seat switch.....	1
13	121-106	BOLT - 5/16" x 1/2" flange lock .....	10
14	C31005	HINGE ASSEMBLY - seat.....	1
15	C26526	CAP-spring .....	1
16	C14728	GRIP - shift lever .....	1
17	C27594	LEVER - shift.....	1
18	195-525	WASHER - 7/16" x 1-1/4" O.D.....	1
19	C17216	SPRING - shift lever .....	1
20	C30489	WASHER.....	1
21	131-1216	NUT - lock 3/8" N.C. hex .....	1
22	C29305	CAP - spring .....	2
23	C29306	SPRING - seat.....	2
24	113-102	BOLT - 5/16" - 18 x 3/4" .....	3
25	131-911	NUT - 5/16" - 18 flange lock .....	7
26	C30942	REFLECTOR - red, rear fender.....	2
27	C32386	FENDER - R.H. (3016, 3018, 3020).....	1
27	C32385	FENDER - L.H. shown (3016, 3018, 3020) .....	1
27	C32388	FENDER - R.H. (4016, 4018, 4020).....	1
27	C32387	FENDER - L.H. (4016, 4018, 4020) .....	1
28	182-547	SCREW - 1/4" - 20 x 1/2" .....	2
29	131-934	NUT - 1/4".....	2

MODEL 3016, 3018, 3020, 4016, 4018, 4020  
COMPACT TRACTORS  
SEAT, FENDER AND TOOL TRAY  
4020 - PIN 14176500 AND AFTER

BEFORE THIS PIN



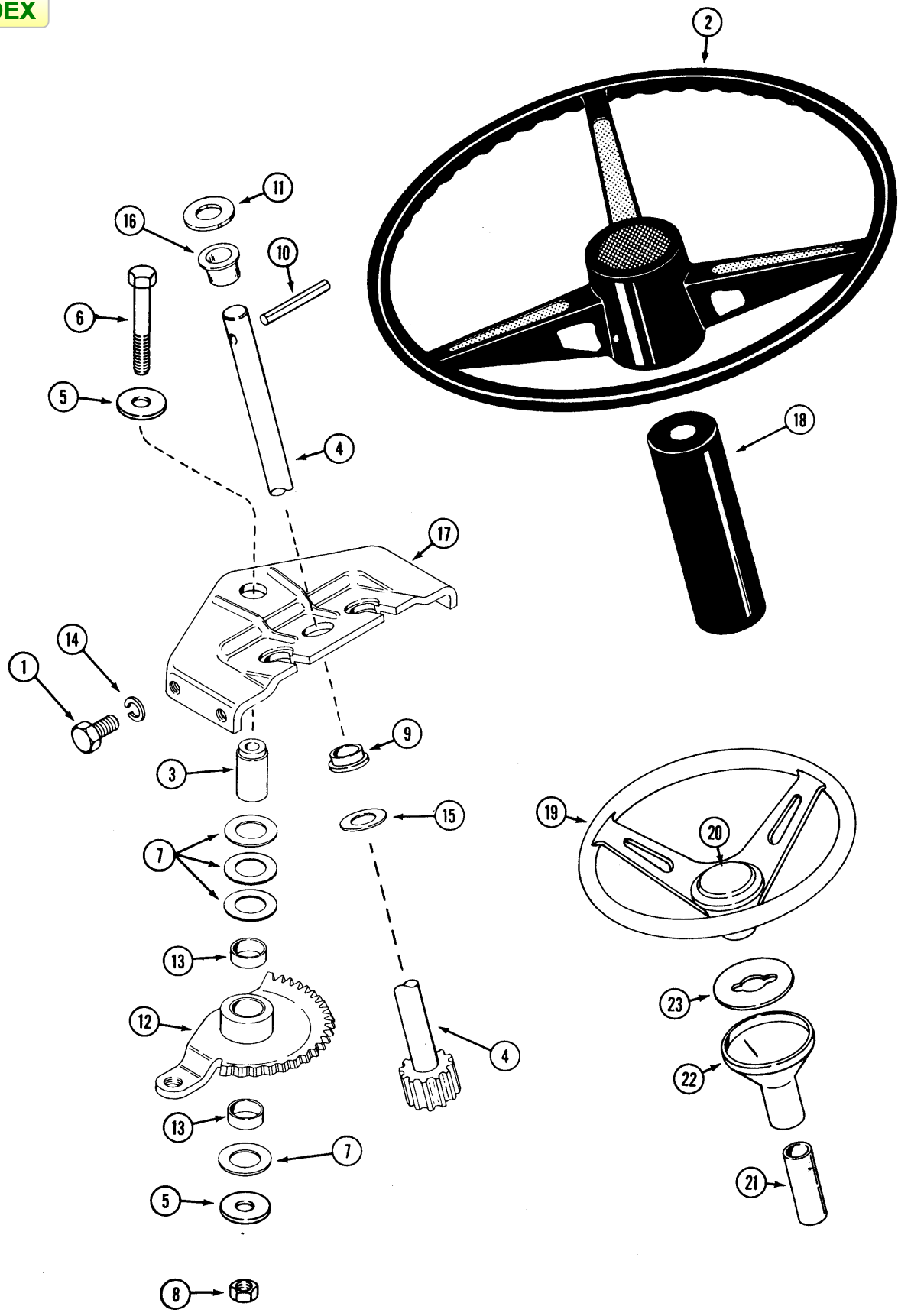
**SEAT, FENDER AND TOOL TRAY  
4020 - PIN 14176500 AND AFTER**

**BEFORE THIS PIN**

REF.	PART NO.	DESCRIPTION	REQ'D
1	C37262 *	SUPPORT - seat, front .....	1
1	C44926 * *	SUPPORT - seat, front .....	1
2	C37266	SUPPORT - seat, rear .....	1
3	113-441	BOLT - 1/2" x 2-1/4" .....	2
4	113-424	BOLT - 1/2" x 1" N.C. hex .....	1
4	113-118	BOLT - 5/16" x 5/8" .....	1
5	192-20	LOCKWASHER - 5/16" .....	1
5	192-23	LOCKWASHER - 1/2" .....	4
6	C37017	TRAY - tool.....	1
7	C16429	PIN - seat hinge .....	1
8	C44982	SEAT - operator's .....	1
	C37848	KIT – Slide Rail .....	1
9	C37060	BRACKET - switch mounting.....	1
10	113-2	BOLT - 1/4" - 20 x 5/8" .....	2
11	C37411	COVER - shift lever.....	1
12	C37462	SPRING - seat switch .....	1
13	121-106	BOLT - 5/16" x 1/2" flange lock.....	10
14	C37152	HINGE ASSEMBLY - seat .....	1
15	C26526	CAP - spring.....	1
16	C10487	KNOB - shift lever .....	1
17	C37247	LEVER - shift .....	1
18	195-525	WASHER - 7/16" x 1-1/4" 0.0.....	1
19	C10482	SPRING - shift lever.....	1
20	132-310	PIN - cotter 1/8" x 1" .....	1
21	C37460	COVER - plate .....	1
22	C29305	CAP - spring.....	2
23	C29306	SPRING - seat .....	2
24	113-102	BOLT - 5/16" - 18 x 3/4" .....	3
25	131-911	NUT - 5 1/2 16" - l8 flangelock.....	11
26	C37430	PLATE - shift pattern.....	1
27	C37156	FENDER - R.H.....	1
27	C37155	FENDER - L.H .....	1
28	C31597	SCREW - 1/4" - 20 x 1/2 .....	6
29	131-934	NUT - 1/4" .....	6
30	195-2175	WASHER - flat .....	2
31	131-934	NUT - 1/4" - 20 flange lock.....	2
32	C42155	PROTECTOR - tail light.....	2
33	C37850	SPACER – Seat Rail.....	4
34	C42056	SCREW – Seat Mounting to Rail.....	4

\* Use Before PIN 14183300  
 \*\* Use PIN 14183300 and After

INDEX



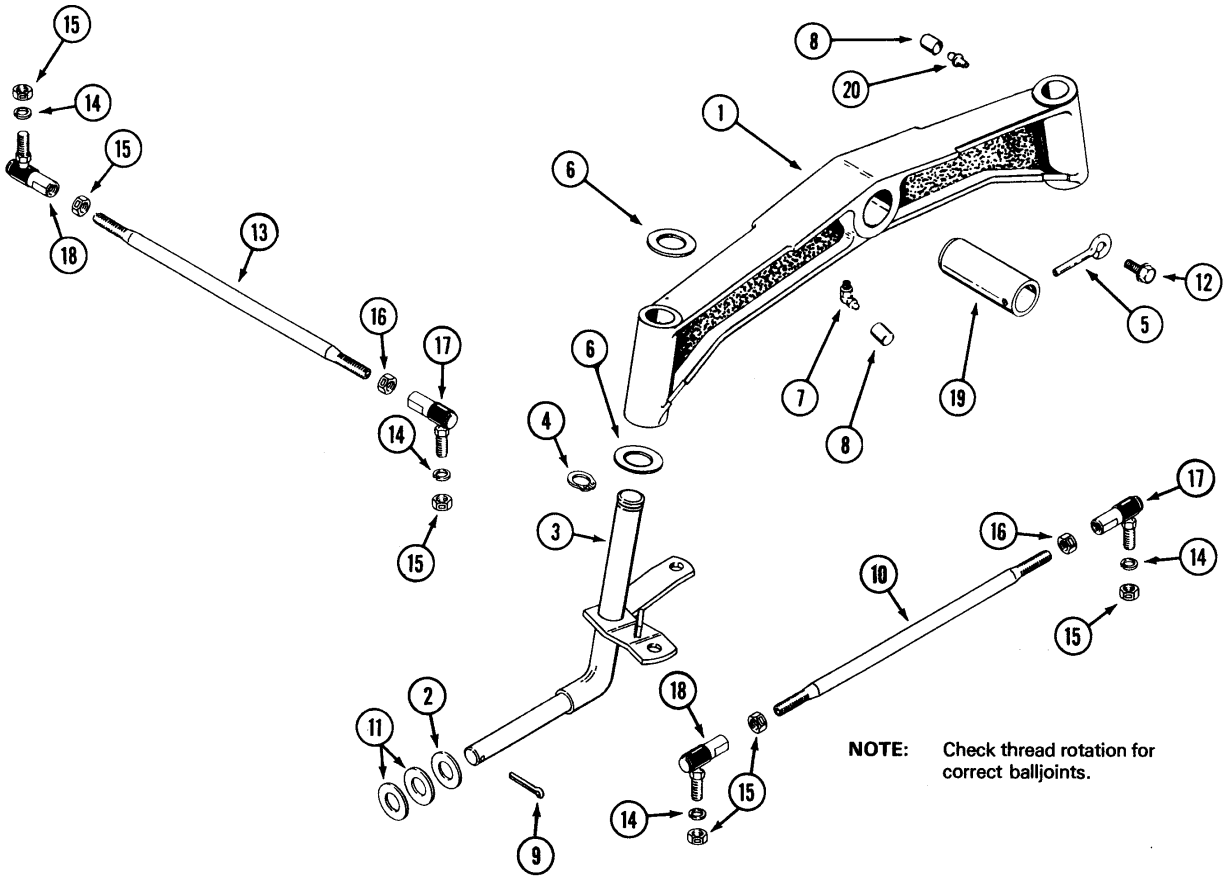
**STEERING GEAR**

REF.	PART NO.	DESCRIPTION	REQ'D
1	113-206	BOLT - 3/8" x 3/4" N.C. hex .....	4
2	C26325 *	WHEEL - steering .....	1
3	C29044	PIN - pivot.....	1
4	C26326	SHAFT – steering, <b>Use Before PIN 14176500</b> .....	1
4	C33940	SHAFT – steering, <b>Use PIN 14176500 and After (1.5" longer)</b> .....	1
5	C29812	WASHER - 3/8" x 1.4" .....	2
6	113-241	BOLT - 3/8" - 16 x 3" .....	1
7	C14201	WASHER - shim.....	4
8	131-1352	NUT - 3/8" - 16 hex lock flange .....	1
9	C27501	BUSHING .....	1
10	138-143	PIN - roll 1/4" x 2-1/4" .....	1
11	195-541	WASHER - 5/8" .....	UAR
11	195-2206	WASHER - 5/8" x 1-1/4" x .06 .....	UAR
12	C33309	GEAR - steering .....	1
13	C33308	BUSHING - sleeve.....	2
14	192-21	LOCKWASHER - 3/8" .....	4
15	195-2069	WASHER - 5/8" zinc plated.....	1
16	C15096	BUSHING - flanged nylon .....	1
17	C30019	SUPPORT - steering gear (includes item 9) .....	1
18	C30127 *	TUBE - steering.....	1
19	C37131 **	WHEEL - steering .....	1
20	C42849 **	CAP - steering wheel.....	1
21	C37479 **	TUBE - steering.....	1
22	C39504 **	BOOT - steering column .....	1
23	C39507 **	INSERT - boot.....	1

\* Use on:  
 3016, 3018, 3020, 4016, 4018 - ALL  
 4020 - before PIN 14176500

\*\* Use on:  
 4020 - PIN 14176500 and After

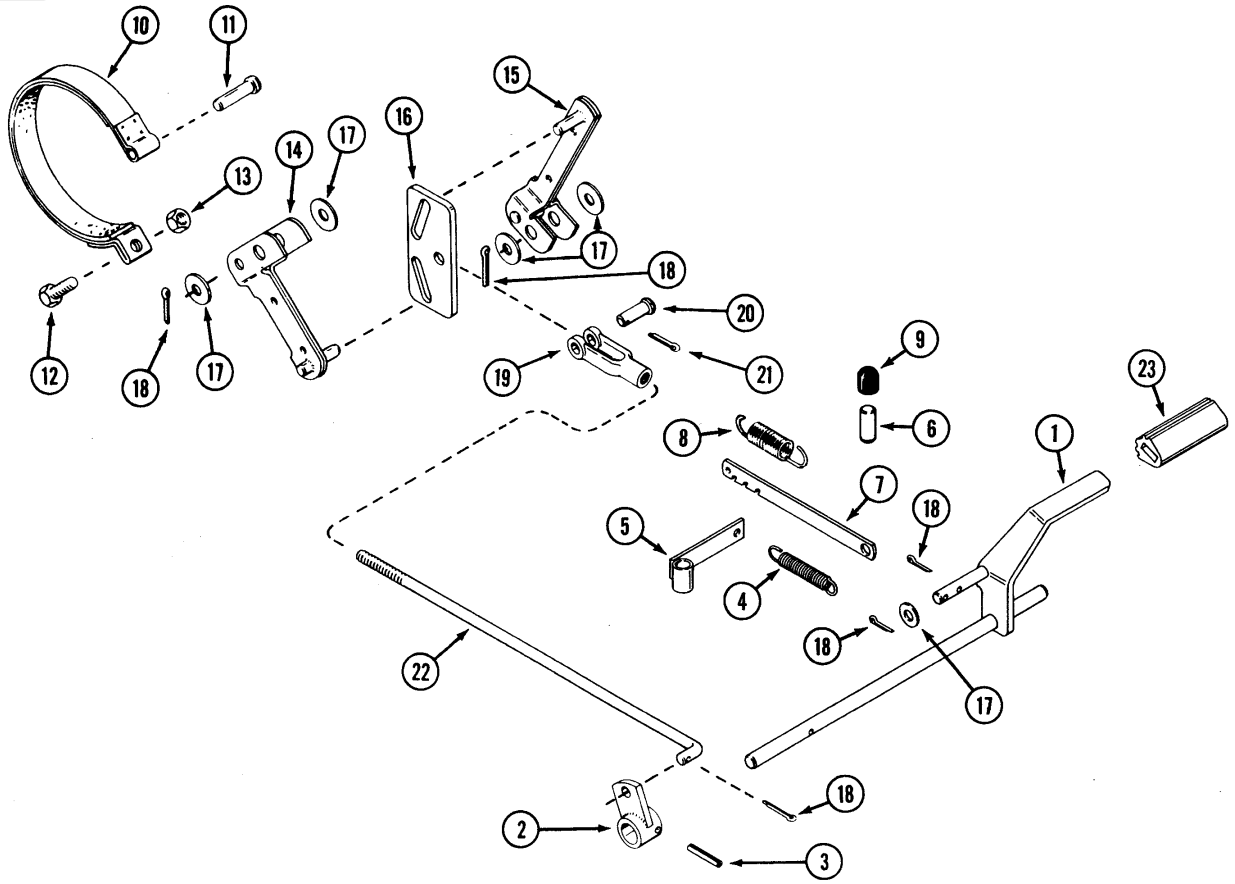
**INDEX**



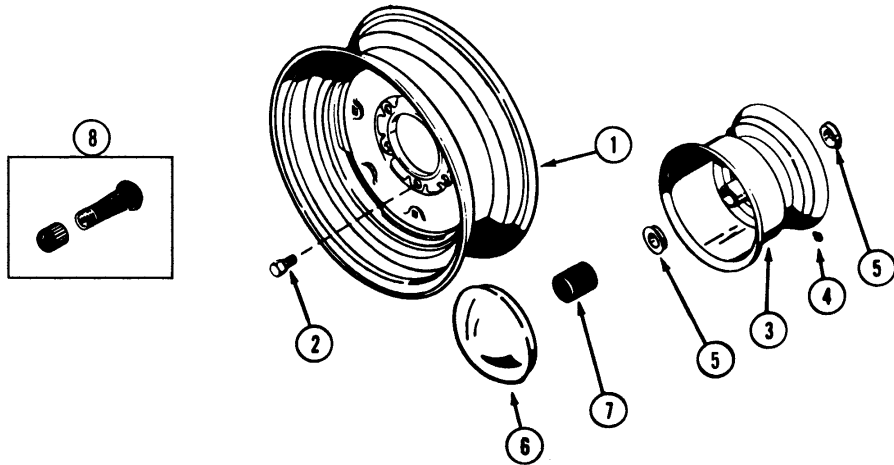
**FRONT AXLE**

REF.	PART NO.	DESCRIPTION	REQ'D
1	C18812	AXLE - front (3016, 3018, 3020).....	1
1	C40687	AXLE - front shown (4016, 4018, 4020) .....	1
2	C27597	WASHER - spacer .....	2
3	C31338	SPINDLE - R.H. (3016, 3018, 3020).....	1
3	C31341	SPINDLE - R.H. shown (4016, 4018, 4020).....	1
3	C31337	SPINDLE - L.H. (3016, 3018, 3020) .....	1
3	C31340	SPINDLE - L.H. (4016, 4018, 4020) .....	1
4	C27902	RING - retaining, spindle (4016, 4018, 4020).....	2
4	C28232	RING - retaining, spindle (3016, 3018, 3020).....	2
5	C22278	PIN - retaining, axle pivot.....	1
6	C11906	WASHER - thrust (3016, 3018, 3020) .....	4
6	C13716	WASHER - thrust (4016, 4018, 4020) .....	4
7	219-404	FITTING - lubrication .....	3
8	C13106	COVER - lubrication fitting .....	3
9	132-311	PIN - cotter 5/32" x 1-1/4" .....	2
10	C25855	TIE ROD - (4016, 4018, 4020).....	1
10	C25856	TIE ROD- (3016, 3018, 3020).....	1
11	C28226	WASHER - wheel spacer.....	UAR
12	187-1910	BOLTS - 3/8" - 16 x 3/4" N.C. hex head .....	1
13	C25857	LINK - drag.....	1
14	192-23	LOCKWASHER - 1/2" zinc .....	4
15	129-165	NUT - 1/2" N.F.R.H. thread, lock .....	6
16	126-365	NUT - 1/2" N.F.L.H. thread, lock .....	2
17	C13605	BALLJOINT - 1/2" L.H. thread .....	2
18	C12102	BALLJOINT - 1/2" R.H. thread.....	2
19	C22568	PIN - axle pivot.....	1
20	219-17	FITTING - lubrication .....	2

**INDEX**



**INDEX**



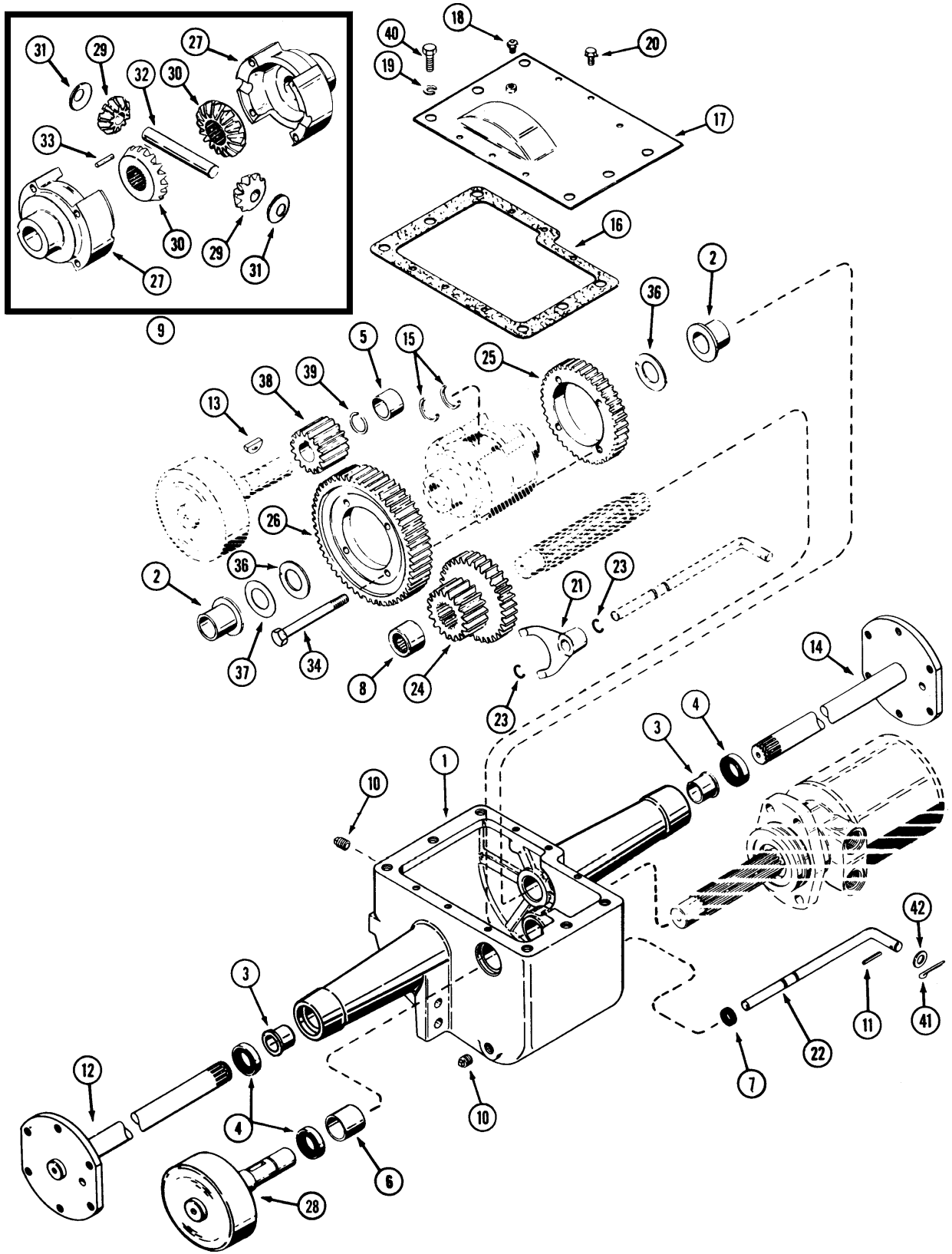
**INDEX****MODEL 3016, 3018, 3020, 4016, 4018, 4020 COMPACT TRACTORS****BRAKE ASSEMBLY**

REF.	PART NO.	DESCRIPTION	REQ'D
1	C33942	PEDAL - brake actuating.....	1
2	C26381	ARM - brake pedal .....	1
3	138-2073	PIN - roll 3/16" x 1-1/4" .....	1
4	C31660	SPRING - return .....	1
5	C31662	GUIDE - neutral return .....	1
6	C31604	ACTUATOR - parking brake.....	1
7	C31661	LEVER - brake lock .....	1
8	C21942	SPRING - brake lock .....	1
9	C31605	CAP - actuator .....	1
10	C33427	BAND - brake .....	1
11	C23910	PIN-clevis .....	1
12	113-2262	BOLT - 3/8" - 16 x 1-1/2" hex .....	1
13	129-143	NUT - 3/8" - 16 special .....	1
14	C23899	ARM-brake .....	1
15	C24761	ARM - brake (includes adjustment nut).....	1
16	C40646	GUIDE - brake actuator.....	1
17	195-533	WASHER - .531" I.D.....	5
18	132-310	PIN - cotter 1/8" x 1" .....	5
19	C28978	CLEVIS.....	1
20	141-4	PIN-clevis .....	1
21	132-321	PIN - cotter .....	1
22	C31993	ROD - brake (4016, 4018, 4020).....	1
22	C31992	ROD - brake (3016, 3018, 3020).....	1
23	C31975	PAD - brake pedal .....	1

**INDEX****FRONT AND REAR WHEELS**

1	C30913	WHEEL – Rim - rear, 5 bolt (3016, 3018, 3020) for 23 x 8.50 - 12 tire.....	2
	C30914	TIRE & RIM ASSY, rear – 3000 Series.....	2
1	C30917	WHEEL - rear, 6 bolt (4016, 4018, 4020) shown .....	2
	C30918	TIRE & RIM ASSY, rear – 4000 Series.....	2
1	C30922	WHEEL - Rim - rear, 5 bolt (3016, 3018) for 23 x 10.50 - 12 tire.....	2
2	C27763	BOLT - rear wheel (4016, 4018, 4020) .....	12
2	C10314	BOLT - rear wheel (3016, 3018, 3020) .....	10
3	C30912	WHEEL - front (includes bearings).....	2
	C30911	TIRE & RIM ASSY – Front, all units .....	1
4	219-403	FITTING - lubrication.....	2
5	C12110	BEARING - wheel.....	2
6	C28965	CAP - hub, front wheel (optional) .....	2
7	C44478	CAP - plastic, front .....	2
8	C28236	STEM - valve.....	4
	C13106	COVER - lubrication fitting .....	2

INDEX



**TRANSMISSION AND FINAL DRIVE**

REF.	PART NO.	DESCRIPTION	REQ'D
	C47666 +	CASE ASSEMBLY - transmission, ribbed .....	1
	C47668 + +	CASE ASSEMBLY - transmission .....	1
1	NSS	CASE - transmission (see above) .....	1
2	C12713	BEARING - flange .....	2
3	C24804	BEARING - flange .....	2
4	C24803	SEAL - shaft .....	3
5	C13241	BEARING - sleeve.....	1
6	C13385	BEARING - sleeve.....	1
7	C13266	SEAL-shift rod .....	1
8	C28281	BEARING - roller.....	1
9	C30029 *	DIFFERENTIAL ASSY, 20° PA (also includes C30030, C30031, C12552).....	1
9	C36902 **	DIFFERENTIAL ASSY, 20° PA (includes C36903, C30031, C12552) .....	1
9	C46929 ***	DIFFERENTIAL ASSY - 25° PA teeth .....	1
10	221-3	PLUG - filler and drain 3/8" .....	3
10	221-1842	PLUG - pipe 3/8" hex socket .....	1
11	138-2073	PIN - roll 3/16" x 1-1/4" (early production) .....	1
12	C16699	SHAFT - axle, short R.H. (3000 Series) .....	1
12	C22638	SHAFT - axle, short R.H. shown (4000 Series) .....	1
13	126-128	KEY - Woodruff, brake idler #18, 1/4" x 1-1/8".....	1
14	C16700	SHAFT - axle, long L.H. (3000 Series) .....	1
14	C22637	SHAFT - axle, long L.H. shown (4000 Series).....	1
15	C26342	RING - retainer, axle.....	2
16	C13196	GASKET - transmission cover .....	1
17	C36935	COVER - transmission .....	1
18	C28241	BREATHER - transmission.....	1
19	192-23	LOCKWASHER - 1/2".....	4
20	121-21	BOLT - 1/4" x 1/2" N.C. hex lock .....	6
21	C12725	FORK - shift.....	1
22	C32486 *	ROD - gear shift (uses Ref. 41 and 42) .....	1
22	C37222 **	ROD - gear shift.....	1
23	C14168	RING - retaining.....	2
24	C14644 *	GEAR - cluster input – 18 tooth x 32 tooth 20° PA .....	1
24	C36901 **	GEAR - cluster input – 18 tooth x 27 tooth 20° PA .....	1
24	C46928 ***	GEAR - cluster input – 18 tooth x 27 tooth, 25° PA .....	1
25	C30030 *	GEAR - high 41 tooth, 20° PA .....	1
25	C36903 **	GEAR - high 46 tooth, 20° PA .....	1
26	C12552	GEAR - low 55 tooth, 20° PA.....	1
27	NSS	DIFFERENTIAL CASE .....	1
28	C33305	BRAKE DRUM .....	1
29	NSS	GEAR - differential pinion .....	2
30	NSS	GEAR - differential.....	2
31	NSS	WASHER - pinion thrust.....	2
32	NSS	PIN - differential.....	1
33	NSS	PIN - differential pin lock.....	1
34	C30031	KIT - screw (set of four) .....	1
36	C12718	WASHER - differential .....	2
37	C14223	WASHER - spacer.....	UAR
38	C33417	GEAR - brake idler, 20° PA .....	1
38	C46927 ***	GEAR - brake idler, 25° PA .....	1
39	C14222	RING - retainer, brake idler .....	1
40	113-424	BOLT - 1/2" - 13 x 1" hex.....	UAR
40	166-85	BOLT - 1/2" - 13 x 1" 12 Pt flange.....	UAR
41	132-310	PIN - cotter 1/8" x 1" .....	1
42	195-541	WASHER - .656" ID x 1.312" OD.....	1

\* Use on:  
3016, 3018, 3020, 4016, 4018 - ALL  
4020 - before PIN 14176500

+ Use PIN and After:  
All units PIN 17193395 and after

\*\* Use on:  
4020 - PIN 14176500 to PIN 17192404

+ + All units before PIN 17193395

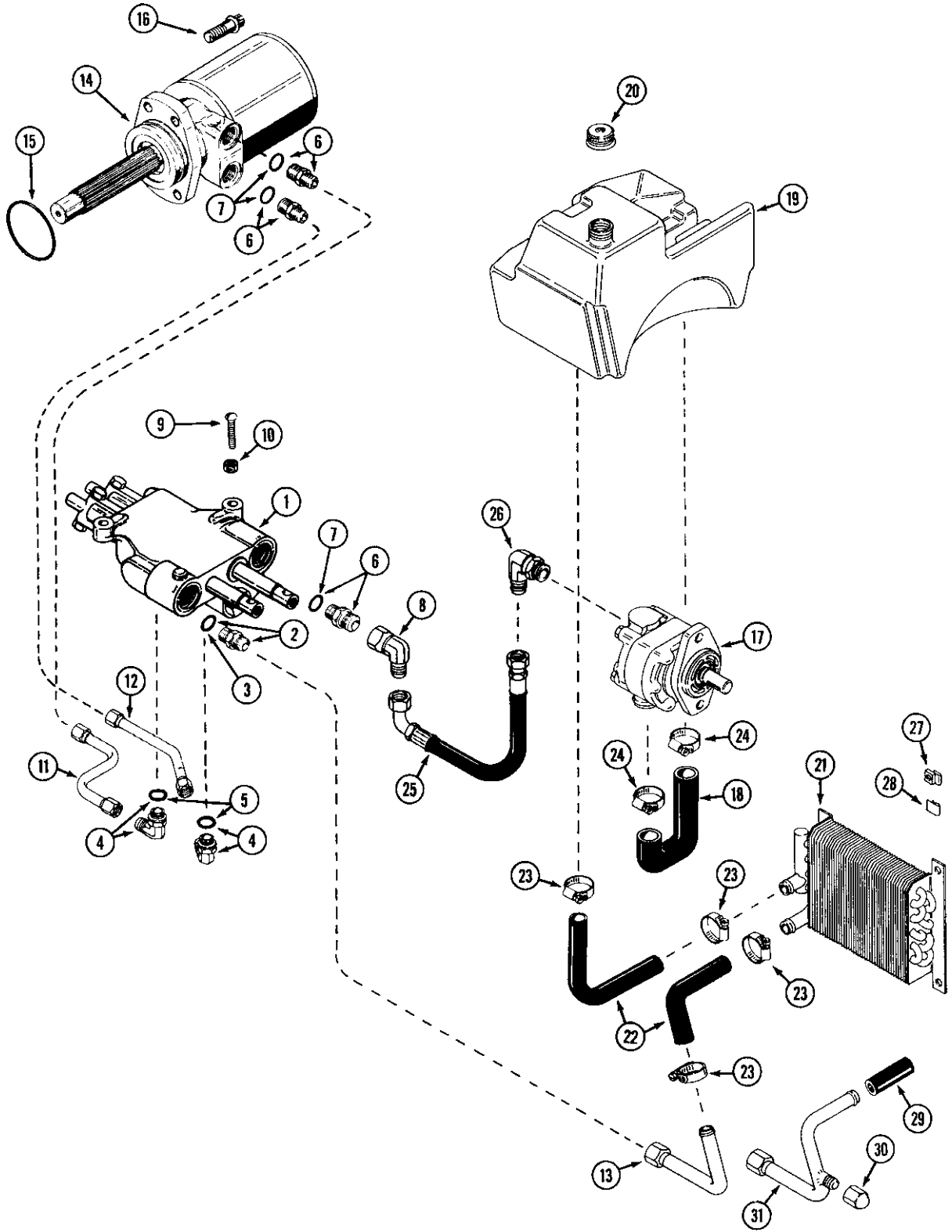
\*\*\* Use on all Onan powered tractors after PIN 17192405  
These are 25° pressure angle gears and must not be used with 20° PA gears

**INDEX**

**MODEL 3016, 3018, 3020, 4016, 4018, 4020 COMPACT TRACTORS**

**HYDRAULIC SYSTEM**  
3016, 3018, 3020, 4016, and  
4018 – without PTO ready tubes  
4020 - before PIN 14176500

**AFTER THIS PIN**



**MODEL 3016, 3018, 3020, 4016, 4018, 4020 COMPACT TRACTORS**

**HYDRAULIC SYSTEM  
3016, 3018, 3020, 4016, 4018 - ALL  
4020 - before PIN 14176500**

**AFTER THIS PIN**

REF.	PART NO.	DESCRIPTION	REQ'D
1	C29689	VALVE - control (repairs page 47) .....	1
2	218-5065	FITTING - 3/4" x 7/8" "O" ring .....	1
3	218-5007	"O" RING .....	1
4	218-5107	FITTING - 90° elbow .....	2
5	218-5007	"O" RING .....	1
6	218-5062	FITTING - 5/8" x 7/8" "O" ring .....	3
7	218-5007	"O" RING .....	1
8	218-5232	FITTING - 90° elbow .....	1
9	C27764	SCREW - 5/16" - 18 x 1-1/4" round head .....	2
10	131-351	NUT - lock 5/16" .....	2
11	C29655	TUBE - valve to upper motor port (3016, 3018, 3020) .....	1
11	C29657	TUBE - valve to upper motor port (4016, 4018, 4020) shown .....	1
12	C29656	TUBE - valve to lower motor port (3016, 3018, 3020) .....	1
12	C29658	TUBE - valve to lower motor port (4016, 4018, 4020) .....	1
13	C31435 *	TUBE - valve "out" to heat exchanger .....	1
14	C30939	MOTOR - hydraulic (3016, 3018, 3020) (repairs page 49) .....	1
14	C33234	MOTOR - hydraulic (4016, 4018, 4020) (repairs page 49) .....	1
15	C28949	SEAL - motor to transmission .....	1
16	166-85	SCREW - 1/2" - 18 x 1" 12 pt. flange .....	4
17	C31958	PUMP - hydraulic 1/2" shaft (repairs page 51) .....	1
18	C33423	HOSE - pump inlet .....	1
19	C33180	RESERVOIR-oil .....	1
20	C25237	CAP - reservoir .....	1
21	C31295	EXCHANGER - heat .....	1
22	C31431	HOSE - formed 90° 6-3/4" x 6-3/4" (cut to length) .....	2
23	214-254	CLAMP - hose 1-1/4" .....	4
24	214-14	CLAMP - hose 1-3/8" .....	2
25	C31966	HOSE - pump to valve .....	1
26	218-5117	FITTING - 90° elbow .....	1
27	C31973	"J" NUT - 1/4" - 20 .....	4
28	C31974	"U" Clip - retainer .....	4
29	NSS **	HOSE - hydraulic (use C29697 cut to length) .....	1
30	218-754	CAP - hydraulic nut .....	1
31	C33115 **	TUBE - valve "out" to heat exchanger .....	1

\* Use before PIN:

\*\* Use PIN and after:

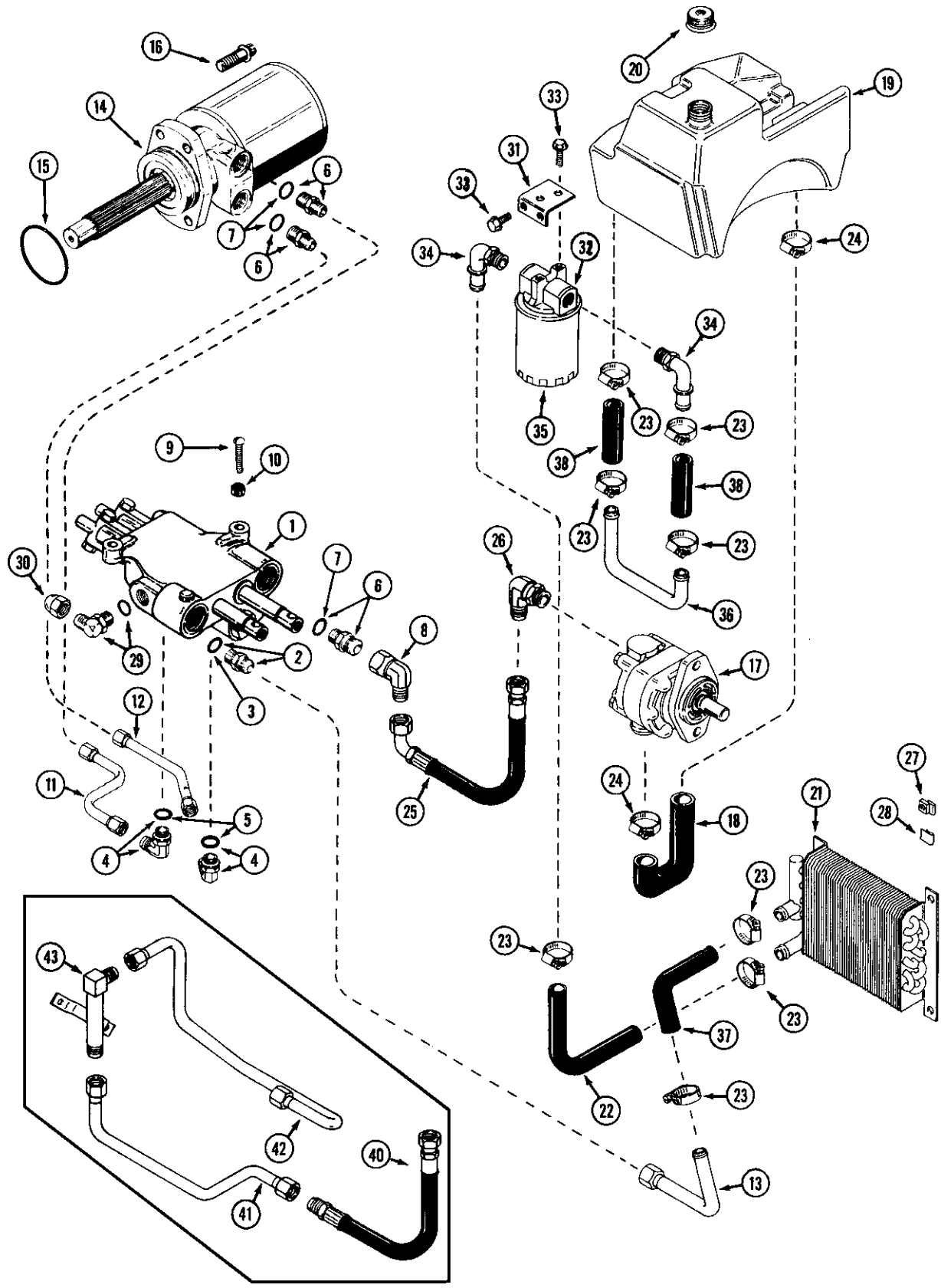
- 3016 - 14137800 to 14147800
- 3018 - 14138800
- 3020 - 14133220
- 4016 - 14139600 to 14149628
- 4018 - 14140900
- 4020 - 14141900

**MODEL 3016, 3018, 3020, 4016, 4018, 4020  
COMPACT TRACTORS**

**HYDRAULIC SYSTEM**

**4020 - PIN 14176500 and after**

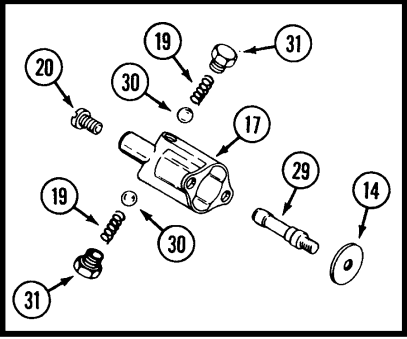
**BEFORE THIS PIN**



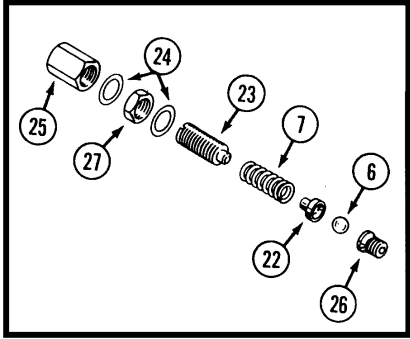
**HYDRAULIC SYSTEM**  
**4020 - PIN 14176500 and after**

BEFORE THIS PIN

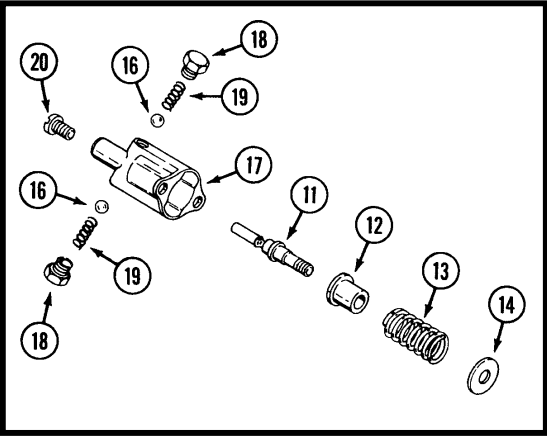
REF.	PART NO.	DESCRIPTION	REQ'D
1	C33473	VALVE - control ( <a href="#">repairs page 47</a> ) .....	1
2	218-5065	FITTING - 3/4" x 7/8" "O" ring .....	1
3	218-5007	"O" RING .....	1
4	218-5107	FITTING - 90° elbow .....	2
5	218-5007	"O" RING .....	1
6	218-5062	FITTING - 5/8" x 7/8" "O" ring .....	3
7	218-5007	"O" RING .....	1
8	218-5232	FITTING - 90° elbow .....	1
9	C27764	SCREW - 5/16" - 18 x 1-1/4" round head.....	2
10	131-351	NUT - lock 5/16" .....	2
11	C37309	TUBE - valve to upper motor port .....	1
12	C37310	TUBE - valve to lower motor port.....	1
13	C31435	TUBE - valve "out" to heat exchanger.....	1
14	C33234	MOTOR - hydraulic ( <a href="#">repairs page 49</a> ).....	1
15	C28949	SEAL - motor to transmission .....	1
16	166-86	SCREW - 1/2" - 18 x 1-1/4" 12 pt. flange .....	4
17	C31958	PUMP - hydraulic 1/2" shaft ( <a href="#">repairs page 51</a> ).....	1
18	C33423	HOSE - pump inlet .....	1
19	C33180	RESERVOIR - oil .....	1
20	C37093	CAP - reservoir.....	1
21	C31295	EXCHANGER - heat .....	1
22	C33555	HOSE - formed 90° 6-1/4" x 5" .....	1
23	214-254	CLAMP - hose 1-1/4" .....	8
24	214-14	CLAMP - hose 1-3/8" .....	2
25	C31966	HOSE - pump to valve - tractors without PTO ready tubes .....	1
26	218-5117	FITTING - 90° elbow .....	1
27	C31973	"J" NUT - 1/4" - 20 .....	4
28	C31974	"U" Clip - retainer.....	4
29	C37425	FITTING - 90° 3/8" tube x 1/2" - 20 .....	1
30	218-754	CAP - 3/8" tube .....	1
31	C33577	BRACKET - oil filter.....	1
32	C33446	HEAD - oil filter.....	1
33	121-21	BOLT - 1/4" - 20 x 1/2" .....	1
34	217-333	FITTING - 90° 3/8" NPTF x 3/4" hose .....	2
35	C33445	FILTER - oil .....	1
36	C33544	TUBE - filter to tank.....	1
37	C33556	HOSE - formed 90° 3-1/2" x 3-1/2" .....	1
38	C14619	HOSE - 3/4" x 4" .....	2
39	192-23	LOCKWASHER - 1/2" .....	4
40	C44924	HOSE - Pump to PTO Ready Tube .....	1
41	C44918	TUBE - Hose to PTO Valve 3000 Series .....	1
41	C44919	TUBE - Hose to PTO Valve 4000 Series .....	1
42	C44922	TUBE - PTO Valve to Travel Valve, 3000 Series.....	1
42	C44923	TUBE - PTO Valve to Travel Valve, 4000 Series.....	1
43	C44908	BRACKET - stand, tube support .....	1



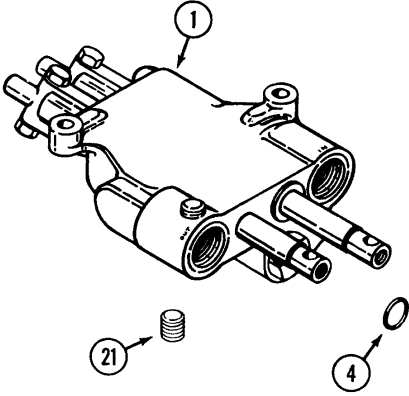
TRAVEL SECTION DETENT GROUP



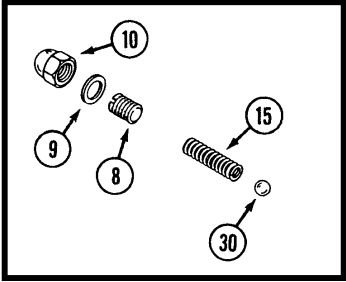
TRAVEL SECTION RELIEF GROUP



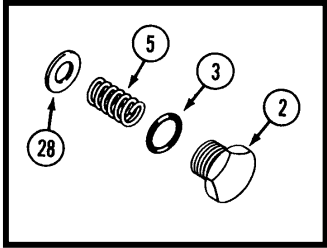
LIFT SECTION DETENT GROUP



HOLDING SECTION GROUP



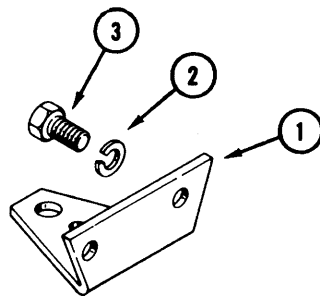
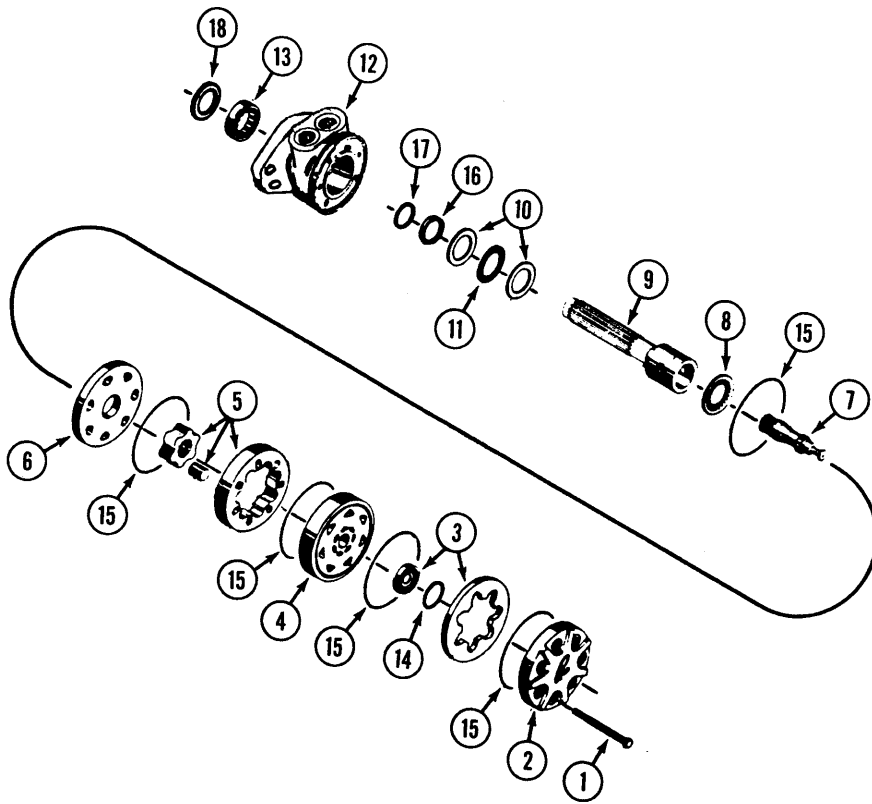
LIFT SECTION RELIEF GROUP



## HYDRAULIC CONTROL VALVE

REF.	PART NO.	DESCRIPTION	REQ'D
1	C33473	VALVE - control, two spool .....	1
2	C29956	CAP - end.....	2
3	C28217	“O” RING - end cap .....	1
4	C28856	SEAL - spool .....	4
5	C29951	SPRING - centering .....	2
6	211-208	BALL - steel 5/16” (7.94 mm).....	1
7	C21507	SPRING - relief .....	2
8	C17433	SCREW - relief adjust .....	1
9	C17435	GASKET - relief adjust cap .....	1
10	129-531	CAP - adjust screw .....	2
11	C26668	DETENT - spool .....	1
12	C28707	SPACER - detent .....	1
13	C28706	SPRING - detent return.....	1
14	C28705	WASHER - return.....	2
15	NSS	SPRING - relief (use C21511 relief kit) .....	1
16	211-5	BALL - steel 3/16” (4.76 mm).....	2
17	C17438	COVER - detent .....	1
18	C28708	SCREW - detent.....	2
19	C17444	SPRING - detent .....	4
20	169-114	SCREW - cover.....	4
21	221-841	PLUG - pipe .....	1
22	C21506	RETAINER - ball seat .....	1
23	C26665	SCREW - adjust, relief .....	1
24	C26664	GASKET - adjust cap.....	1
25	C26666	CAP - adjust screw .....	1
26	C26663	SEAT - relief ball .....	1
27	129-166	NUT - lock .....	1
28	C29950	WASHER - spring retaining .....	2
29	C29958	DETENT - spool .....	1
30	211-7	BALL - steel 1/4” (6.35 mm).....	2
31	C17443	SCREW - detent.....	2
	C30002	KIT - seal .....	1

INDEX



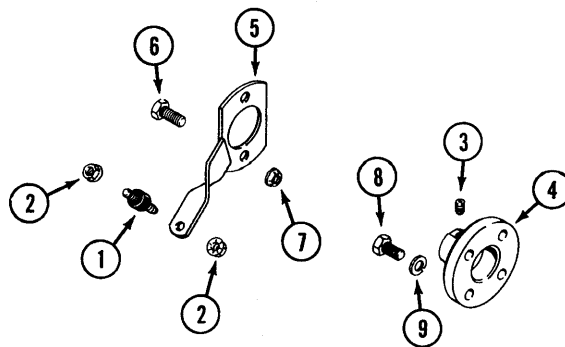
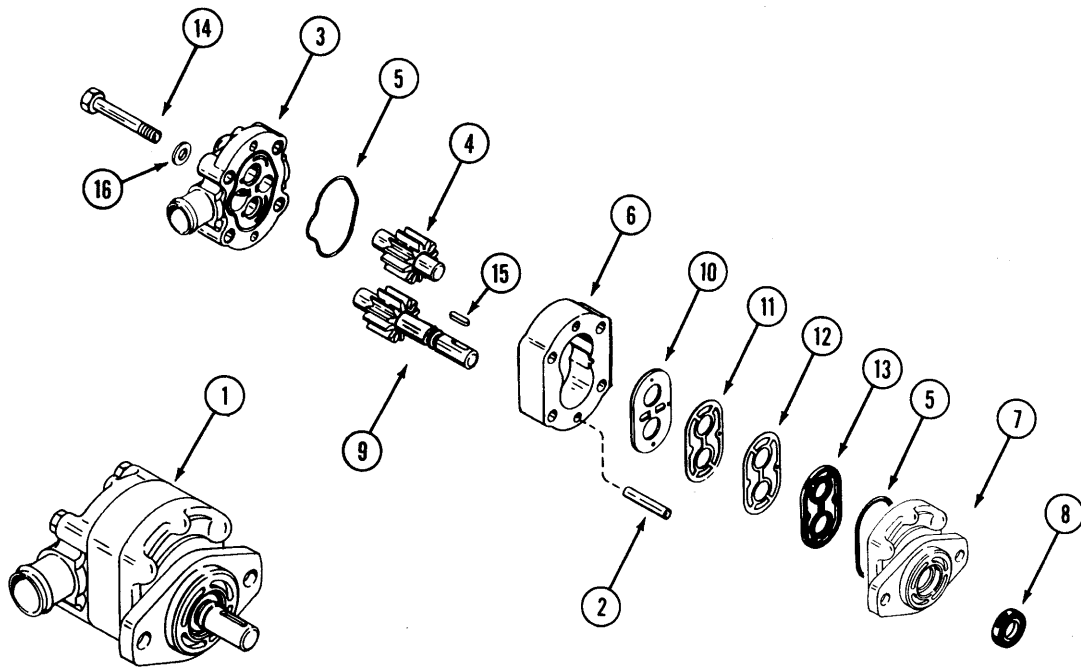
**HYDRAULIC DRIVE MOTOR**

REF.	PART NO.	DESCRIPTION	REQ'D
	C33234	MOTOR - hydraulic (4016, 4018, 4020).....	1
	C30939	MOTOR - hydraulic (3016, 3018, 3020).....	1
1	28-668	BOLT - 3/8" - 24 x 4-1/4" (3016, 3018, 3020).....	7
1	C31327	BOLT - 3/8" - 24 x 4-5/8" (4016, 4018, 4020).....	7
2	C31309	COVER - end.....	1
3	C31310	COMMUTATOR AND RING SET.....	1
4	C31311	MANIFOLD.....	1
5	C31312	ROTOR ASSEMBLY (3016, 3018, 3020).....	1
5	C31313	ROTOR ASSEMBLY (4016, 4018, 4020).....	1
6	C31314	PLATE - wear.....	1
7	C31315	LINK - drive (3016, 3018, 3020).....	1
7	C31316	LINK - drive (4016, 4018, 4020).....	1
8	C31317	BEARING - thrust.....	1
9	C31318	SHAFT-coupling.....	7
10	C31319	WASHER - thrust.....	2
11	C31320	BEARING - thrust.....	1
12	C31321	HOUSING - drive end.....	1
13	C31322	BEARING - outer.....	1
	C31323	KIT - seal.....	1
14	NSS	SEAL - commutator ring.....	1
15	NSS	SEAL - ring.....	5
16	NSS	SEAL - ring.....	1
17	NSS	WASHER - backup.....	1
18	NSS	SEAL - dirt (not used).....	1

**DRAWBAR AND TOW HITCH**

1	C13360	DRAWBAR.....	1
2	192-23	LOCKWASHER - 1/2".....	2
3	113-424	BOLT - 1/2" x 1" N.C. hex.....	2

**INDEX**



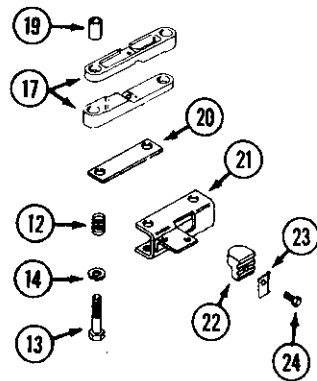
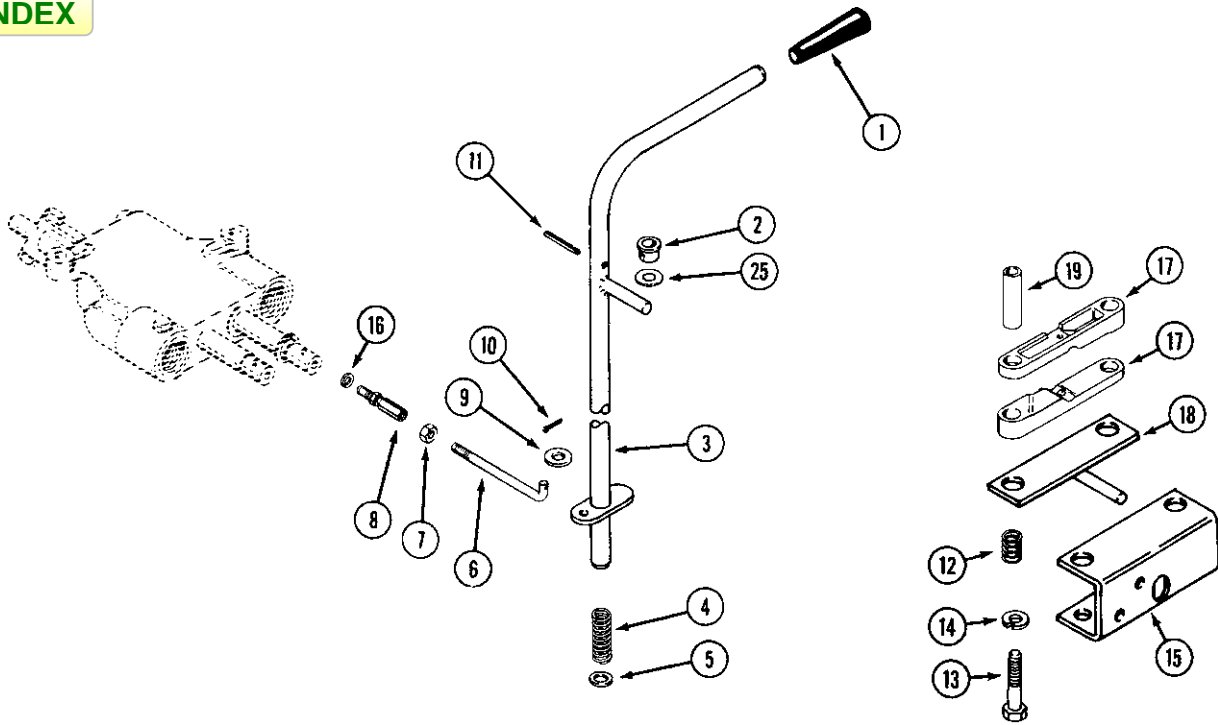
**HYDRAULIC PUMP (PARKER—HANNIFIN)**

REF.	PART NO.	DESCRIPTION	REQ'D
1	C31958	PUMP - hydraulic 1/2" shaft .....	1
2	F53109	PIN - dowel .....	2
3	C31987	COVER - rear .....	1
4	C15731	GEAR ASSEMBLY - driven .....	1
5	C15732	"0" RING - cover .....	2
6	C15733	BODY - pump .....	1
7	C15734	COVER - front.....	1
8	C15735	SEAL - shaft.....	1
9	NSS	GEAR ASSEMBLY - drive (1/2" shaft) (use C31958).....	1
10	C15737	PLATE-wear .....	1
11	C15738	SHIELD - heat.....	T
12	C15739	GASKET .....	1
13	C15740	SEAL.....	1
14	113-111	BOLT.....	4
15	C31988	KEY - 1/8" square x 3/4" long (1.587 mm x 19.05 mm).....	1
16	C19115	WASHER.....	4

**PUMP MOUNTING COMPONENTS**

1	NSS	MOUNT - rubber (use C32437) .....	1
2	131-911	NUT - 5/16" - 18 flange lock.....	2
3	83-55	SCREW - set 5/16" - 18 x 5/16" socket (use loctite) .....	2
4	C31964	ADAPTER - drive .....	1
5	NSS	PLATE - pump torque arm (use C33506) .....	1
6	113-208	BOLT - 3/8" - 16 x 1-1/4" hex .....	2
7	131-1352	NUT - 3/8" - 16 flange lock.....	2
8	113-103	BOLT - 5/16" - 18 x 1" hex .....	4
9	192-20	LOCKWASHER - 5/16" .....	4

INDEX



## SPEED CONTROL

REF.	PART NO.	DESCRIPTION	REQ'D
1	C29047	KNOB - speed control .....	1
2	C29636	BUSHING - lever .....	1
3	C32509 +	LEVER - speed control (shown).....	1
3	C37250 + +	LEVER - speed control.....	1
4	C10482	SPRING - compression.....	1
5	C21518	WASHER - nylon.....	1
6	C31670 *	ROD - control .....	1
7	129-122	NUT - 5/16" N.F. hex, zinc plated .....	1
8	C19025 *	JOINT - ball .....	1
9	NSS	WASHER - 5/16" (not required) .....	1
10	132-320	PIN - cotter 3/32" x 3/4" .....	1
11	138-2072	PIN - roll 1/8" x 1-3/4".....	1
12	C30827	SPRING - locator .....	2
13	113-14	BOLT - 1/4" 20 x 2" .....	2
14	192-19	LOCKWASHER - 1/4" .....	2
15	C31678	CARRIER - locator .....	1
16	192-20	LOCKWASHER - 5/16" .....	1
17	C32362	LOCATOR - half .....	2
18	C31674	ACCUATOR - switch.....	1
19	C29653	SPACER - tube .....	2
20	C37254	SUPPORT - locator.....	1
21	C37255	CARRIER - locator .....	1
22	C37198	CAM - switch .....	1
23	C44029	RETAINER - switch lever .....	1
24	187-1328	SCREWS - #8 - 18 x 3/8" .....	1
25	C25178	WASHER - lever bushing .....	1

\* Order both C31670 rod + C19025 joint if other than illustrated or if tractor is between the following S/N:

3016 - 14126892 to 14126985

3018 - 14132566 to 14132607

3020 - not affected

4016 - 14128552 to 14128650

4018 - 14129714 to 14129813

4020 - 14130956 to 14131047

+ Use on

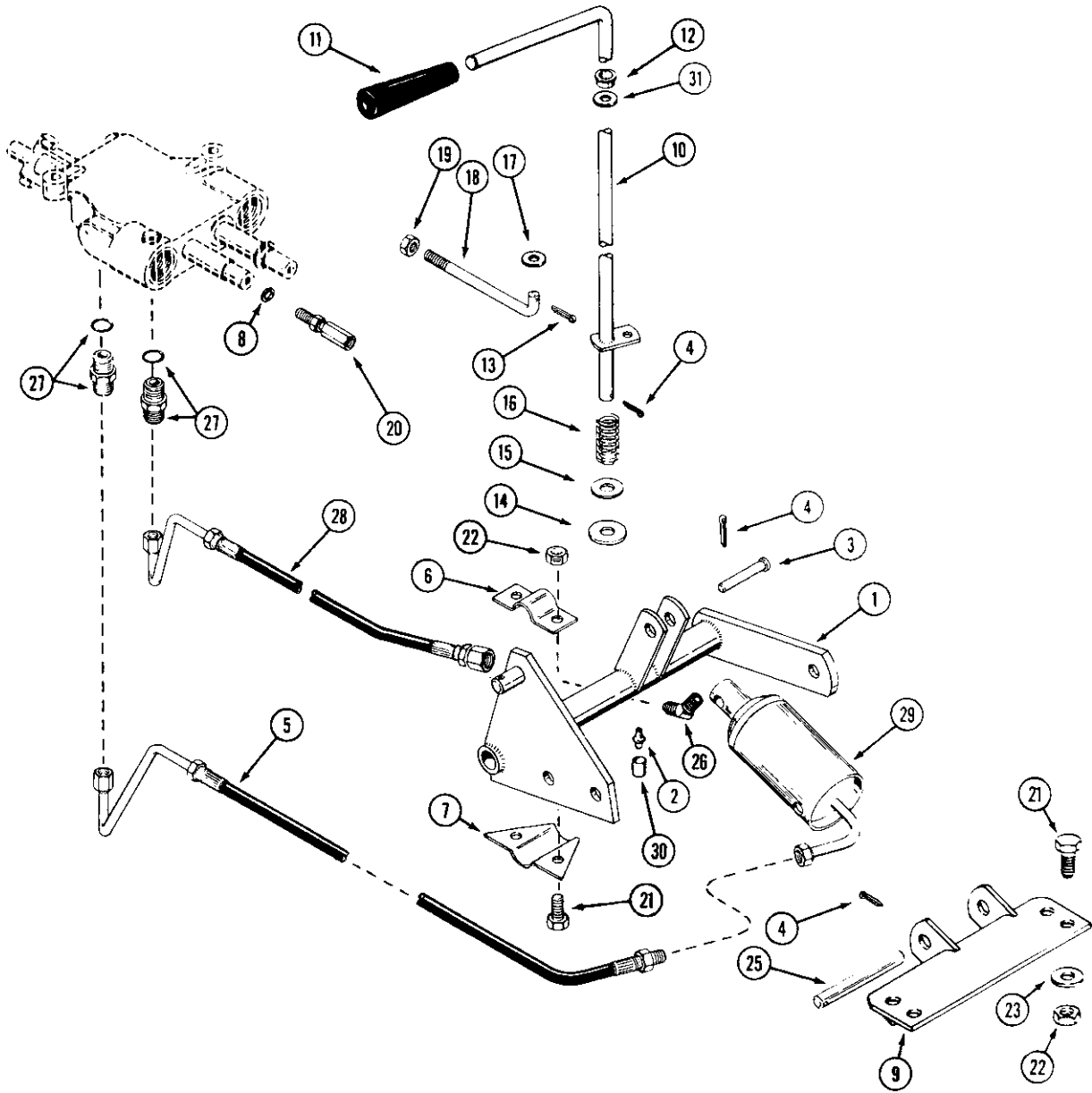
3016, 3018, 3020, 4016, 4018 - All

4020 - before PIN 14176500

++ Use on

4020 - PIN 14176500 and after

INDEX



**HYDRAULIC LIFT**

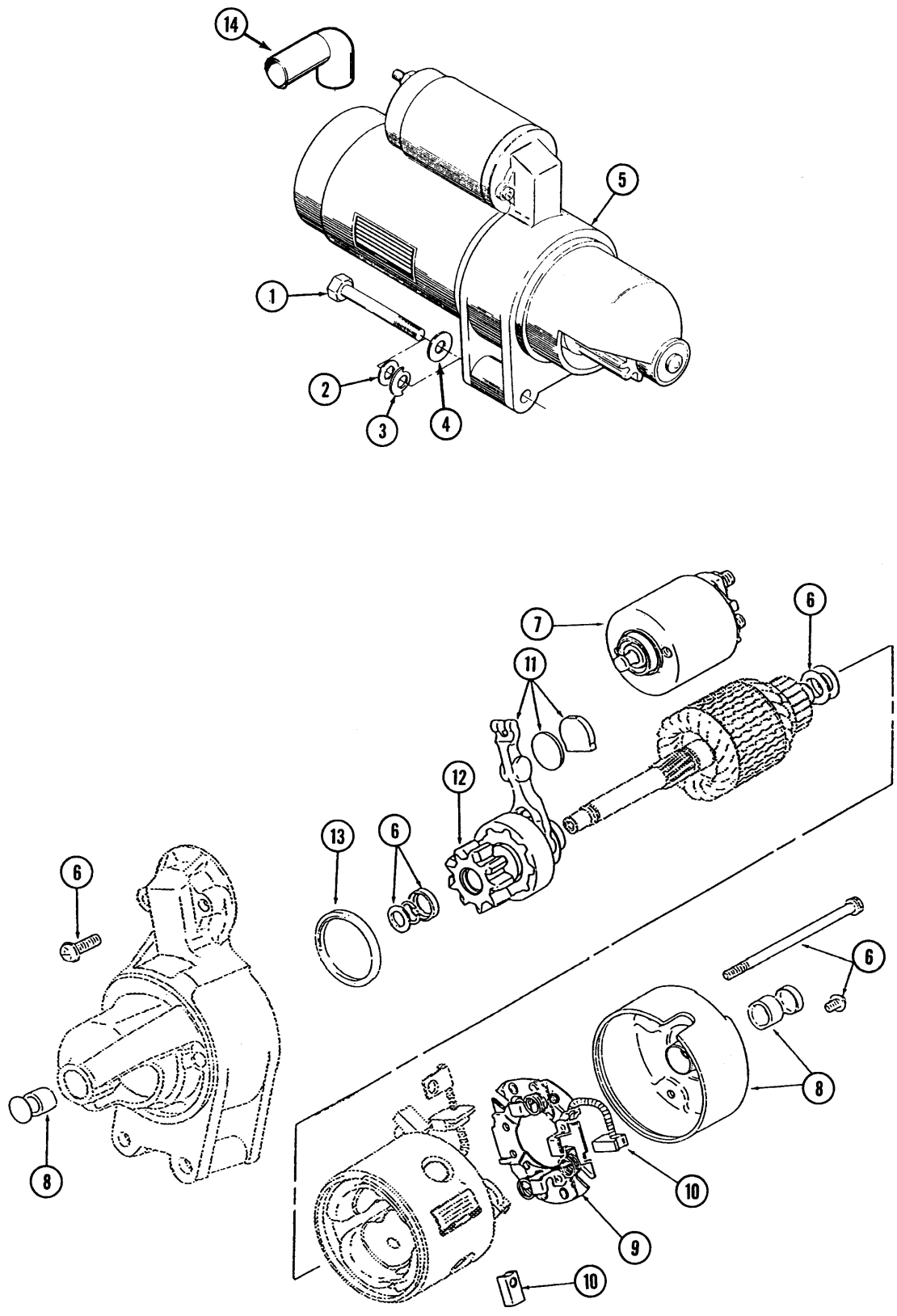
REF.	PART NO.	DESCRIPTION	REQ'D
1	C32259	SHAFT ASSEMBLY - lift .....	1
2	219-17	FITTING - lubrication.....	1
3	C29693	PIN - cylinder to lever, clevis.....	1
4	132-310	PIN - cotter 1/8" x 1".....	5
5	C17734	HOSE - long .....	1
6	C17249	BRACKET - mounting, top .....	2
7	C17250	BRACKET - mounting, bottom .....	2
8	192-20	LOCKWASHER - 5/16" .....	1
9	NSS	BRACKET - cylinder (use C33138 kit) .....	1
10	C33491 +	LEVER - lift control shown .....	1
10	C33956++	LEVER - lift control.....	1
11	C29045	KNOB - control lever .....	1
12	C29636	BUSHING - lift lever .....	1
13	132-320	PIN - cotter 3/32" x 3/4".....	1
14	195-533	WASHER - 1/2" .....	1
15	C21518	WASHER-nylon.....	1
16	C31681	SPRING - control lever.....	1
17	195-521	WASHER - 5/16" .....	1
18	C31670*	ROD - control .....	1
19	129-122	NUT - 5/16" N.F. hex.....	1
20	C19025*	BALLJOINT .....	1
21	113-209	BOLT - 3/8" x 1-1/2" N.C. hex .....	4
22	131-938	NUT - lock 3/8" N.C. hex flange .....	8
23	195-104	WASHER - 3/8" x 1-1/8" O.D .....	4
25	C26188	PIN - cylinder base.....	1
26	218-1093	FITTING - hydraulic 45° elbow.....	1
27	218-5056	FITTING - valve (includes 218-5004 "O" ring) .....	2
28	C31682	HOSE-short.....	1
29	C27590	CYLINDER - lift .....	1
	C30054	KIT - seal .....	1
30	C13106	COVER - lubrication fitting .....	1
31	C25178	WASHER - lever bushing.....	1

\* order both C31670 rod and C19025 joint if other than illustrated or if tractor is between the following S/N:  
 3016 - 14126892 to 14126985  
 3018 - 14132566 to 14132607  
 3020 - not affected  
 4016 - 14128552 to 14128650  
 4018 - 14129714 to 14129813  
 4020 - 14130956 to 14131047

+ use on:  
 3016, 3018, 3020, 4016, 4018 - All  
 4020 - before PIN 14176500

++ use on:  
 4020 - PIN 14176500 and after

**INDEX**



**STARTER**

<b>REF.</b>	<b>PART NO.</b>	<b>DESCRIPTION</b>	<b>REQ'D</b>
1	C32448	BOLT - thru 5/16" - 18 x 3-1/2".....	2
2	192-20	LOCKWASHER - 5/16".....	2
3	C32449	WASHER - special (outside mounting bolt).....	1
4	C20248	WASHER - 5/16" (inside mounting bolt).....	1
5	C32312	STARTER ASSEMBLY.....	1
6	C32313	KIT - hardware.....	1
7	C32314	KIT - solenoid (includes plunger).....	1
8	C32315	KIT - bushing (includes rear cap).....	1
9	C32316	HOLDER - brush (includes negative brush).....	1
10	C32317	KIT - brush.....	1
11	C32318	KIT - shift lever.....	1
12	C32319	CLUTCH - starter (includes gear).....	1
13	C32320	SEAL - dust.....	1
14	C31618	COVER - terminal.....	1

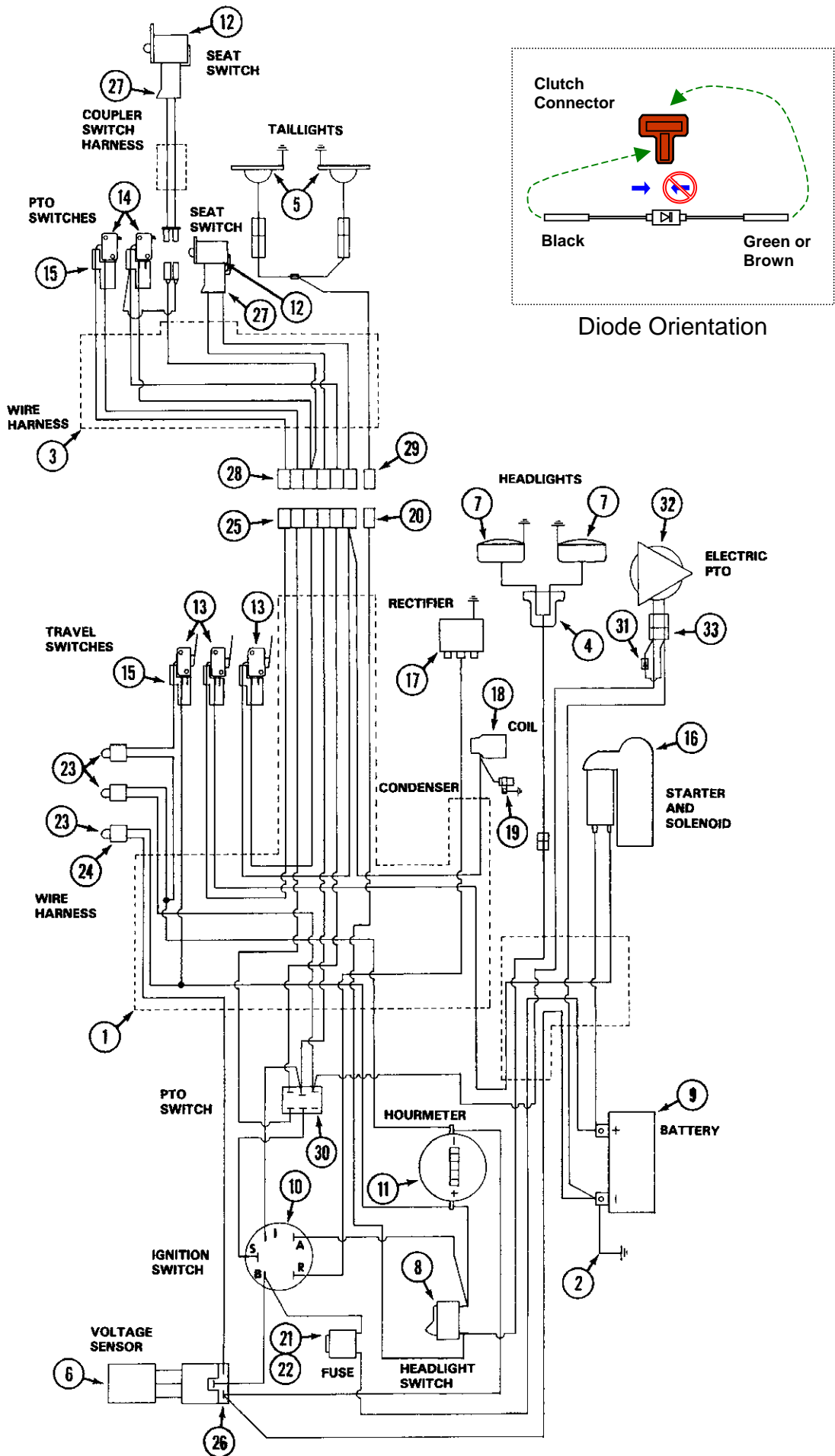


**ELECTRICAL SYSTEM  
3016, 3018, 3020, 4016, 4018 - All  
4020 - before PIN 14176500**

**AFTER THIS PIN**

REF.	PART NO.	DESCRIPTION	REQ'D
	C31941	HARNESS - wire .....	1
1	C31986	KIT - diode, 6 amps, 15 volt.....	1
2	C31947	KIT - fuse holder.....	1
3	C30260	FUSE - 30 amp .....	1
4	C25338	CONNECTOR - seat harness, male.....	1
5	C24460	CONNECTOR - ignition switch.....	1
6	C30262	BULB - indicator lights (not included with harness).....	3
7	C30263	SOCKET - bulb .....	3
8	C31948	CONNECTOR - PTO .....	1
9	C30279	CONNECTOR - switch .....	3
10	C25486	CONNECTOR - sensor.....	1
11	C31952	CONNECTOR - PTO switch, 2 terminal .....	1
12	C31950	CONNECTOR - PTO switch, 3 terminal .....	1
13	C24813	CONNECTOR - seat harness, female .....	1
14	C31943	CABLE - battery negative to ground .....	1
15	C31044	HARNESS - wire, seat switch (includes Ref. 9 and 13).....	1
16	C14537	CONNECTOR - headlights .....	1
17	C31617	SENSOR - voltage (includes connector).....	1
18	C32178	HEADLIGHT - 12 volt ( <a href="#">see page 63 for service</a> ).....	2
19	C29322	SWITCH - headlight .....	1
20	C31619	CAP - PTO switch .....	1
21	C31937	SWITCH - PTO .....	1
22	C30530	SWITCH - ignition (includes key and mounting hardware) .....	1
	C32407	KEY - ignition .....	2
23	C31623	HOURLY METER .....	1
24	C31213	BATTERY - 12 volt, 32 amp, 230 CCA.....	1
25	C30275	SWITCH - inter - lock .....	3
26	NSS	CLUTCH - PTO (see page 25 for repairs) .....	1
27	C32312	STARTER AND SOLENOID - ( <a href="#">see page 57 for repairs</a> ) .....	1
28	C24956	STATOR - charging.....	1
	C32458	KIT - terminal connector .....	2
29	C32461	RECTIFIER - voltage, 12 volt.....	1
30	C32454	SPARK PLUG - includes gasket.....	2
31	C32296	COIL - ignition 12 volt.....	1
32	C32298	CABLE - spark plug 9" .....	1
32	C32299	CABLE - spark plug 18-1/2" .....	1
33	C32307	CONDENSER .....	1
34	C32294	CONTROL - ignition .....	1

**INDEX**

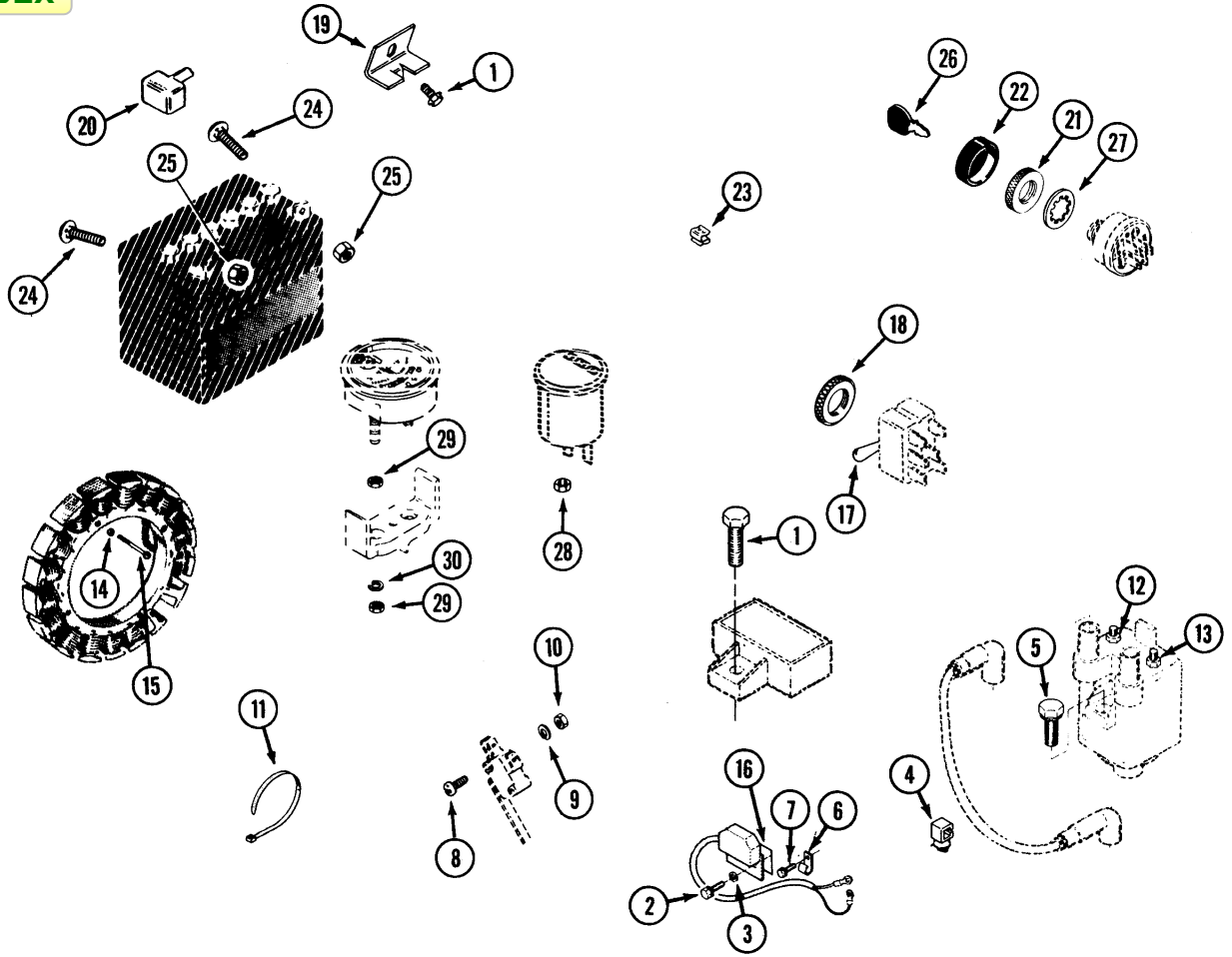


**ELECTRICAL SYSTEM**  
**4020 - PIN 14176500 and after**

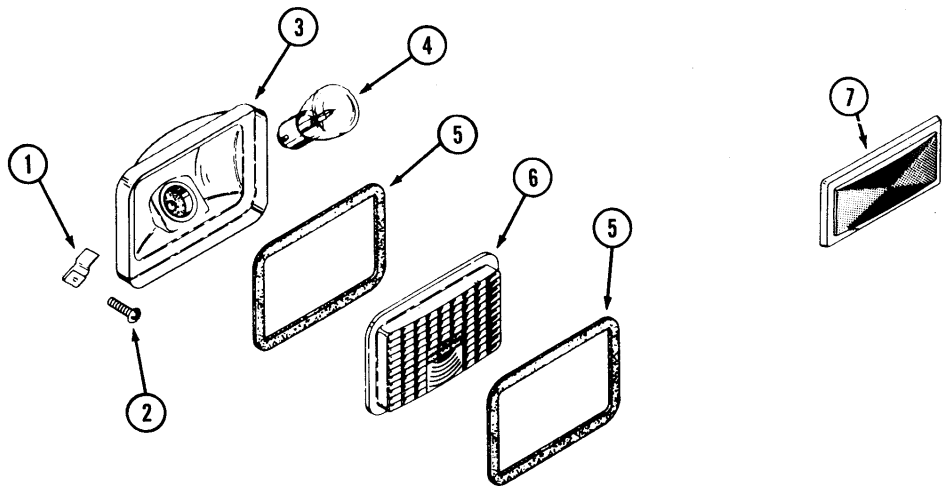
BEFORE THIS PIN

REF.	PART NO.	DESCRIPTION	REQ'D
1	C43227	HARNES - wire, main .....	1
2	C31943	CABLE - battery negative to ground .....	1
3	C43228	HARNES - wire, seat switch, PTO and taillights.....	1
4	C14537	CONNECTOR - headlights .....	1
5	C37165	TAILLIGHT - rear .....	2
6	C31617	SENSOR - voltage .....	1
7	C32178	HEADLIGHT - 12 volt (page 63 for service).....	2
8	C29322	SWITCH - headlights .....	1
9	C41010	BATTERY - 12 volt.....	1
10	C30530	SWITCH - ignition .....	1
	C24460	CONNECTOR - ignition switch.....	1
11	C42929	HOURMETER .....	1
12	C37298	SWITCH - seat (black) .....	2
13	C30275	SWITCH - micro (at travel lever).....	3
14	C37399	SWITCH - micro (at PTO) .....	2
15	C30279	CONNECTOR - micro switch.....	5
16	C32312	STARTER AND SOLENOID - 12 volt (see page 57 for service).....	1
17	C32461	RECTIFIER - voltage, 12 volts.....	1
18	C32296	COIL - ignition, 12 volt.....	1
19	C32307	CONDENSER - 12 volt .....	1
20	C42118	CONNECTOR - single female, taillight .....	1
21	C31947	KIT - fuse holder.....	1
22	C30260	FUSE - 30 amp .....	1
23	C30262	BULB - indicator .....	3
24	C30263	SOCKET - bulb .....	3
25	C42117	CONNECTOR - six wire, harness, female .....	1
26	C25486	CONNECTOR - three wire, sensor .....	1
27	C37398	CONNECTOR - seat switch .....	2
28	C42115	CONNECTOR - six wire, seat harness, male .....	1
29	C42116	CONNECTOR - harness, taillight, male.....	1
30	C31937	SWITCH - PTO .....	1
31	C31986	KIT - diode.....	1
32	C33198	CLUTCH - PTO, electric (see page 25 for repairs).....	1
33	C31948	CONNECTOR - PTO .....	1

INDEX



INDEX



## ELECTRICAL SYSTEM HARDWARE

REF.	PART NO.	DESCRIPTION	REQ'D
1	121-21	BOLT - 1/4" - 20 x 1/2" flange lock.....	1
2	182-525	BOLT - #10 - 32 x 3/8" .....	2
3	C32460	LOCKWASHER - #10 internal tooth .....	2
4	C32453	CLIP - wire.....	1
5	C32456	BOLT - 1/4" - 20 x 1" .....	2
6	C32455	CLIP - wire.....	2
7	187-1036	SCREW - 1/4" - 20 x 1" .....	1
8	C37199	SCREW - #4 - 40 x 1.5" .....	2
9	192-13	LOCKWASHER - #4 .....	2
10	129-13	NUT - #4 - 40 .....	2
11	C22947	TIE - wire .....	UAR
12	C32301	NUT - M5 metric (negative terminal) .....	1
13	C32300	NUT - M4 metric (positive terminal) .....	1
14	193-6	LOCKWASHER - #10 .....	3
15	C32459	SCREW - #10 - 32 x 1" self lock .....	3
16	C32295	INSULATOR - ignition module .....	1
17	C31619	CAP - PTO switch .....	1
18	C31620	NUT - knurled 1/2" - 27 .....	1
19	C31621	RETAINER - battery.....	1
20	C24069	COVER - battery positive terminal .....	1
21	C32396	NUT - switch.....	1
21	NSS	NUT - switch, knurled, black (use C32396 and C32397) shown .....	1
22	C32397	CAP - nut.....	1
23	C19521	CLIP - wire.....	3
24	111-132	BOLT - 5/16" - 18 x 3/4" carriage .....	2
25	129-102	NUT - 5/16" - 18 .....	2
26	C32407	KEY - ignition .....	1
27	C23012	LOCKWASHER.....	1
28	129-36	NUT - #8 - 36 .....	2
29	129-27	NUT - #10 NF.....	4
30	193-6	LOCKWASHER - #10 .....	2

## INDEX

## HEADLIGHT ASSEMBLY AND REAR REFLECTOR

1	C29637	RETAINER - head light .....	4
2	187-1328	SCREW - No. 8 x 3/8" .....	4
	C32178	HEADLIGHT ASSEMBLY .....	2
3	NSS	RECEPTACLE - headlight (order C32178) .....	1
4	C28932	BULB - headlight.....	1
5	C14304	GASKET - headlight .....	2
6	C22573	LENS - headlight.....	1
7	C30942	REFLECTOR - red, rear fender .....	2

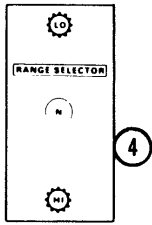
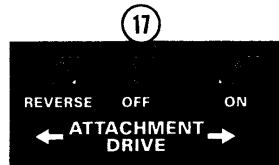
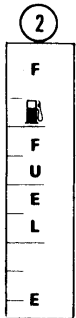
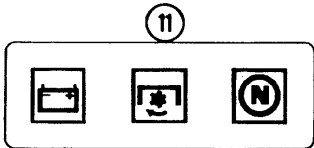
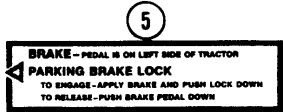
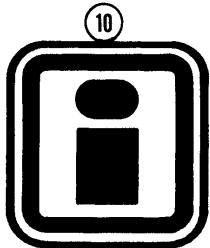
6  
**INGERSOLL** **hydriV 3016**

1  
**INGERSOLL** **hydriV 3018**

7  
**INGERSOLL** **hydriV 4016**

8  
**INGERSOLL** **hydriV 4018**

13  
**INGERSOLL** **hydriV 4020**



**DECALS**

REF.	PART NO.	DESCRIPTION	REQ'D
1	C32364	DECAL - "3018" hood L.H. (shown).....	1
1	C32365	DECAL - "3018" hood R.H. ....	1
2	C33588	DECAL - fuel gauge .....	1
3	321-4767	DECAL - hydraulic reservoir.....	1
4	321-1788	DECAL - shift range .....	1
5	C33590	DECAL - brake .....	1
6	C32004	DECAL - "3016" hood L.H. (shown).....	1
6	C32005	DECAL - "3016" hood R.H. ....	1
7	C32007	DECAL - "4016" hood L.H. (shown).....	1
7	C32008	DECAL - "4016" hood R.H. ....	1
8	C32009	DECAL - "4018" hood L.H. (shown).....	1
8	C32010	DECAL - "4018" hood R.H. ....	1
9	321-6659	DECAL - "Caution" .....	1
10	C30539	MEDALLION .....	1
11	C30274	LENS - display .....	1
12	C32093	DECAL - seat back "Ingersoll".....	1
13	C32011	DECAL - "4020" hood L.H. (shown) (use before PIN 14176500) .....	1
13	C32012	DECAL - "4020" hood R.H. (shown) (use before PIN 14176500).....	1
13	C43229	DECAL - "4020" hood L.H. (use PIN 14176500 and after) .....	1
13	C43230	DECAL - "4020" hood R.H. (use PIN 14176500 and after).....	1
14	C37197	DECAL - "logo" steering wheel insert (4020 PIN 14176500 and after) .....	1
15	C34184	DECAL - flag (4020 PIN 14176500 and after) .....	1
16	C37274	DECAL - shift range (4020 PIN 14176500 and after) .....	1
17	C37275	DECAL - PTO (4020 PIN 14176500 and after) if equipped .....	1
	C32781	DECAL - "3020" hood L.H. (not shown).....	1
	C32782	DECAL - "3020" hood R.H. (not shown) .....	1