



Parts Catalog 8-3031

COMPACT TRACTORS
WITH **KOHLER** ENGINES

3010 - ALL

4014 - ALL

3012 - BEFORE PIN 14145700

3014 - BEFORE PIN 14146700

[INDEX](#)

[PAINT](#)

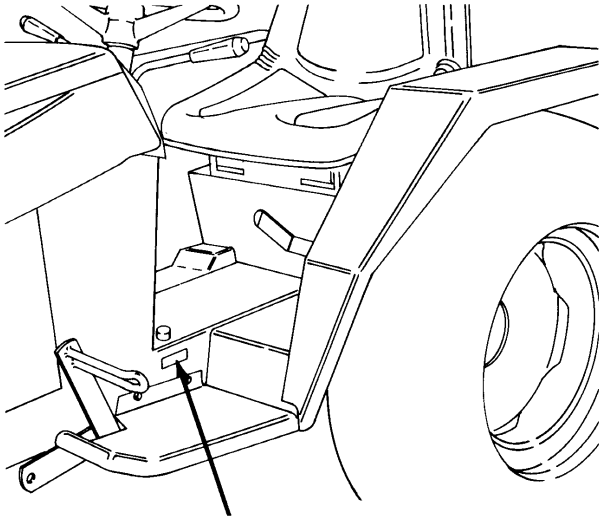
[ENGINES](#)

[GENERAL INFO](#)

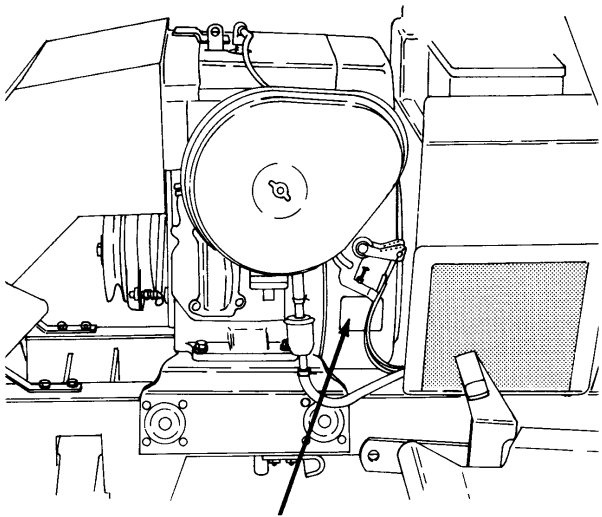


MODEL 3010, 3012, 3014 and 4014 COMPACT TRACTORS

PRODUCT IDENTIFICATION NUMBERS



TRACTOR MODEL AND SERIAL NUMBER



ENGINE MODEL, SERIAL AND SPECIFICATION NUMBERS

TRACTOR MODEL

3010

3012

3014, 4014

ENGINE MODEL

C32265
KOHLER MODEL M10AQS
Spec. No. 461509

C33239
KOHLER MODEL M12AQS
Spec. No. 471514

C33240
KOHLER MODEL M14AQS
Spec. No. 601513

NOTE: In this catalog there are references to serial numbers. To order the correct part use these serial numbers as a guide.

INDEX

There is an index at the front and rear of this catalog. The front index is an alphabetical index of the major groups or assemblies.

The rear index is a numerical index of the part numbers and pages on which these numbers are shown.

ILLUSTRATION

Each illustration in this catalog shows a group of parts or components. These parts and components are aligned approximately as the parts and components on your machine. Each part and component in an illustration has a reference number. These reference numbers are in a list on the page opposite of the illustration. Next to the reference number is the part number, description and required quantity of the part shown in the illustration.

UAR - "Use as required" indicates that the part quantity is variable.

NSS - "Not sold separately" indicates that the part is only available as component of an assembly or the part must be purchased locally. If the part is an assembly component, the description will be indented under the assembly description in the parts list.

O/L - "Obtain locally"

- "Footnotes" are added to a part number when more information is needed for identification. They only relate to the part numbers indicated. All orders must include the following information:

PARTS ORDERS

1. Correct part number.
2. Complete description of part or component.
3. Total quantity of each part or component.
4. Product model number.
5. All necessary product identification numbers.
6. Method for sending the parts.
7. Complete and correct address.

CATALOG REVISIONS

As the product changes, new pages will be available for your catalog. A notice will be issued.

IMPORTANT: Put all revisions into the catalog as soon as possible.

RIGHT HAND AND LEFT HAND IDENTIFICATION

The words right hand (RH) and left hand (LH) as used in this catalog indicate the direction while you are in the operator's seat in the normal operating position.

INDENTED DESCRIPTIONS

An assembly can have many components. The components of an assembly are indicated by an indented description. The quantity for an indented part is the total needed for that complete assembly. See the example.

REF.	PART NO.	DESCRIPTION	REQ'D
	C 55159	CYLINDER ASSY - rear steering	1
28	C 56208	SOCKET ASSY - rear cylinder	1
29	C 55956	PLUG - adjusting, socket assy	1
30	C 55957	SEAT- socket, ball.....	2
31	C 56210	SPRING-socket	1
32	C 56209	SEAT - socket spring	1
33	G 45175	CLAMP ASSY - socket assy	1
	16- 836	BOLT-1/2"x2-1/4" N.F. hex.....	1
34	132- 104	PIN-cotter, 3/16"x3".....	1
35	C 55889	STUD - ball, socket & cylinder	2
36	13- 410	BOLT-1/4"x5/8"N.C.,hex	4
37	92- 4	LOCK WASHER - 1/4"SAE	4

ALPHABETICAL INDEX

MAIN

ENGINE SECTION

Air Cleaner	17	Fuel Pump	17
Battery	57	Fuel System.....	17
Breather, Crankcase.....	25	Gasket Kits	5
Camshaft	7	Governor.....	21
Carburetor.....	19	Muffler.....	23
Choke Linkage.....	21	Oil Fill Tube	9
Connecting Rod	11	Oil Pan.....	5
Crankshaft	9	Piston.....	11-13-15
Cylinder Block.....	5	PTO Clutch	27
Cylinder Head.....	5	Shrouds	25
Electrical System	55-59	Spark Plug.....	57
Engine Block & Attaching Parts	5	Starter.....	55
Exhaust System.....	23	Tank, Fuel.....	17
Filter, Breather	25	Throttle Linkage.....	21
Filter, Fuel.....	17	Valves.....	7
Flywheel.....	9		

BASIC TRACTOR SECTION

Axle, Front	37	Motor, Hydraulic Drive.....	47
Axle, Rear	41	Pump.....	49
Baffles & Shrouds	25	Valve, Control.....	45
Brakes.....	39	Linkage, Valve Control	51
Control, Speed	51	Hydraulic Lift	53
Decals	61	Instruments	57
Electrical System	55-59	Mounts, Engine	23
Fenders.....	33	Mounts, Heat Exchanger	43
Frame	29	PTO Clutch (electric)	27
Grille	31	Reflector, rear	33
Hitch.....	47	Seat, Operator's.....	33
Hood	31	Steering Wheel & Gear	35
Hydraulics	43	Tool Box.....	33
Adapter, Pump Drive	49	Transmission	41
Hoses, Lines & Fittings.....	43-53	Wheels, Front & Rear	39



Ingersoll

Paint & Oil

INDEX

PAINT

Power Red Gloss

16-ounce Aerosol Can..... C28484
Quart C28485

Power White

16-ounce Aerosol Can..... C28812
Quart C28845

Power Yellow (Older 600 Series)

16-ounce Aerosol Can..... C28847
Quart C28848

Power Tan (6000 Series)

16-ounce Aerosol Can..... C28853
Quart C28854

Desert Sunset (Older 400 Series)

16-ounce Aerosol Can..... C28846
Quart C28852

Black, Semi Gloss

16-ounce Aerosol Can..... C28849
Quart C28850

Black, High Heat

16-ounce Aerosol Can..... C28851

Silver

16-ounce Aerosol Can..... C30870

M & W Plum

16-ounce Aerosol Can..... 10-5688

Grazer Grey

16-ounce Aerosol Can..... C38444
Quart C38982

Odyssey Charcoal Grey

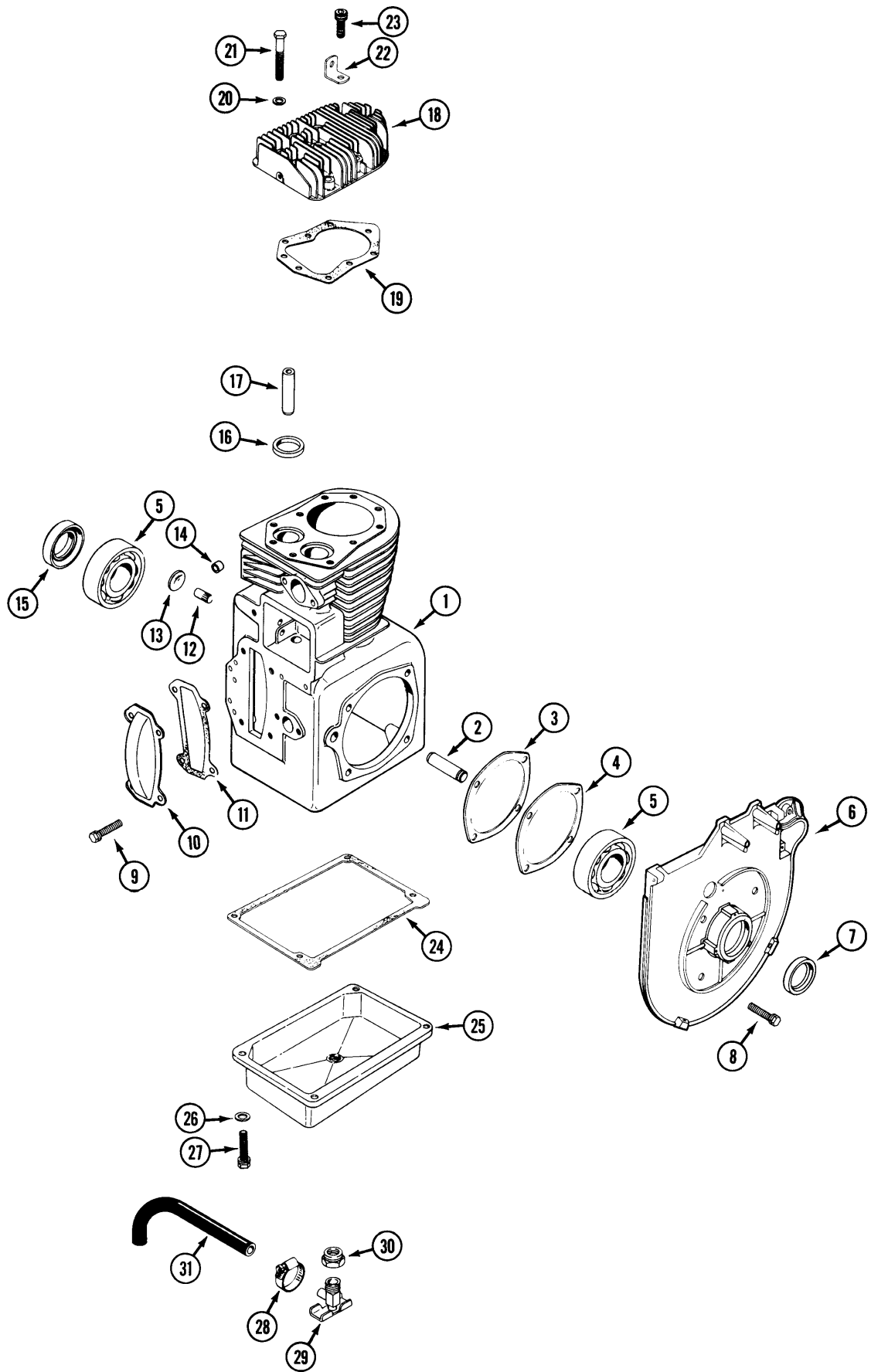
16-ounce Aerosol Can..... C47171

HYDRAULIC OIL

20W40, Use 32 Degrees and above.
12-Quart Case..... C32778

5W20, Use Below 32 Degrees.
12-Quart Case..... C32777

INDEX

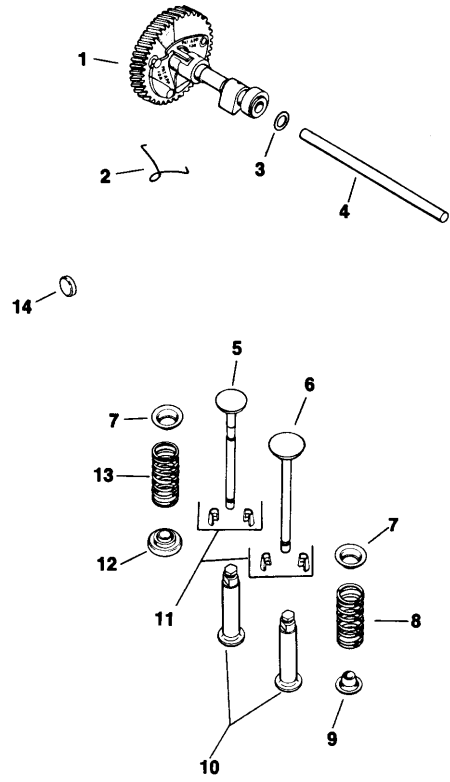


CYLINDER BLOCK, HEAD AND OIL PAN

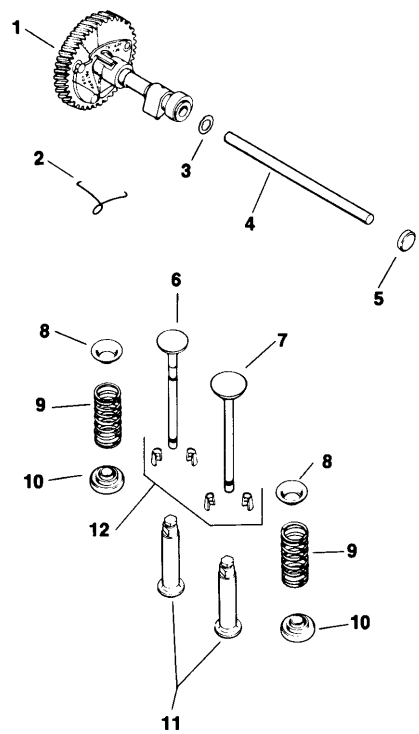
NOTE: For Complete Engine See [Page 1](#)

REF.	PART NO.	DESCRIPTION	REQ'D
	C33016	BLOCK ASSEMBLY - cylinder, short (3010) (Includes crankshaft, piston assembly, ring set, crankshaft seals, rod assembly, camshaft assembly, valves, bearings, plate and plate gasket, governor gear assembly and cross shaft) (also includes gaskets)	1
	C33017	BLOCK ASSEMBLY - cylinder, short (3012) (Includes crankshaft, piston assembly, ring set, crankshaft seals, rod assembly, camshaft assembly, valves, bearings, plate and plate gasket, governor gear assembly and cross shaft) (also includes gaskets)	1
	C33018	BLOCK ASSEMBLY - cylinder, short (3014, 4014) (Includes crank shaft, piston assembly, ring set, crankshaft seals, rod assembly, cam shaft assembly, valves, bearings, plate and plate gasket, governor gear assembly and cross shaft) (also includes gaskets)	1
1	NSS	BLOCK - cylinder, bare	1
2	KO236559	SHAFT-balance gear stub.....	2
3	C32888	GASKET - shim.....	UAR
4	C32889	GASKET - bearing plate.....	1
5	C28669	BEARING - ball	2
6	C32890	PLATE - bearing.....	1
7	C32891	SEAL - front oil	1
8	113-207	SCREW - 3/8" - 16 x 1"	4
9	NSS	SCREW - 1/4" - 20 x 1/2" (use 113-1 & 192-19)	4
10	KO235026	COVER - camshaft.....	1
11	KO235025	GASKET - camshaft cover	1
12	KO235125-S	SHAFT - governor gear.....	1
13	41-18	PLUG - expansion	1
14	C28691	BEARING - governor cross shaft	1
15	C28678	SEAL - rear oil.....	1
16	KO230170	INSERT - exhaust seat (3010,3012).....	1
16	KO230265	INSERT - valve seat (3014, 4014)	2
17	KO235007-S	GUIDE - valve	2
18	C32898	HEAD - cylinder (3010)	1
18	C32899	HEAD - cylinder (3012, 3014, 4014)	1
19	C30482	GASKET - head	1
20	KO270889	WASHER - 3/8"	9
21	KO270158	BOLT - head 3/8" - 16 x 1-1/2"	8
22	KO235748	STRAP - lifting.....	1
23	C32901	SCREW - socket head 3/8" - 16 x 1"	1
24	C32953	GASKET - oil pan.....	1
25	C32954	PAN - oil	1
26	195-103	WASHER - 3/8"	4
27	113-207	BOLT - 3/8" - 16 x 1"	4
28	C32376	CLAMP - hose 5/8"	1
29	C32331	VALVE - oil drain.....	1
30	221-86	REDUCER - pipe 3/8" to 1/4"	1
31	C32333	HOSE - oil drain	1
	C32829	KIT-gasket and seal	1

INDEX



INDEX



MODEL 3010, 3012, 3014 and 4014 COMPACT TRACTORS

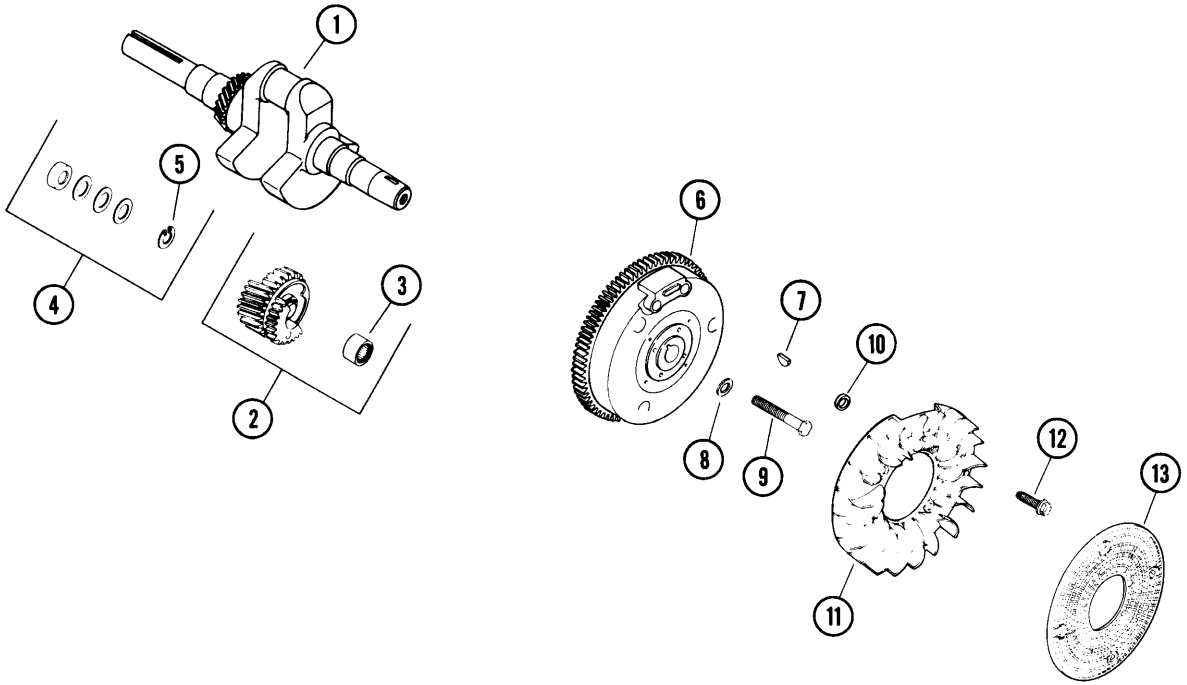
CAMSHAFT AND VALVES (3010, 3012)

REF.	PART NO.	DESCRIPTION	REQ'D
1	C32803	CAMSHAFT ASSEMBLY	1
2	C28680	SPRING - actuating	1
3	KO275066	SPACER - .005"	UAR
3	KO275067	SPACER - .010"	UAR
4	C30487	PIN - camshaft	1
5	KO235838	VALVE - exhaust	1
6	KO235008	VALVE - intake	1
7	KO235011	RETAINER - upper spring	2
8	KO235010	SPRING - intake valve	1
9	KO230011	RETAINER - spring	1
10	KOD235327	TAPPET - valve	2
11	C24884	KIT - retainer	2
12	KO230020	ROTATOR - valve	1
13	KO235168	SPRING - exhaust valve	1
14	C32849	PLUG - cup 1/2" O.D.	1

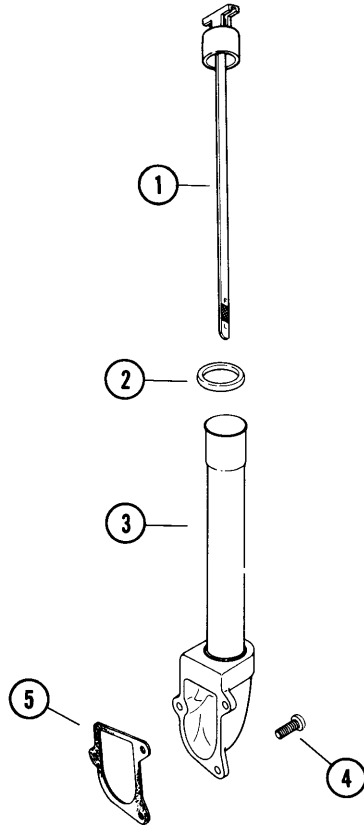
CAMSHAFT AND VALVES (3014, 4014)

1	C32803	CAMSHAFT ASSEMBLY	1
2	C28680	SPRING-actuating	1
3	KO275066	SPACER - .005"	UAR
3	KO275067	SPACER - .010"	UAR
4	C30487	PIN - camshaft	1
5	C32849	PLUG - cup 1/2" O.D.	1
6	KO237672	VALVE - exhaust	1
7	KO235582	VALVE - intake	1
8	KO235011	RETAINER - upper spring	2
9	KO235168	SPRING - valve	2
10	KO230020	ROTATOR - valve	2
11	KOD235327	TAPPET - valve	2
12	C24884	KIT - retainer	2

INDEX



INDEX



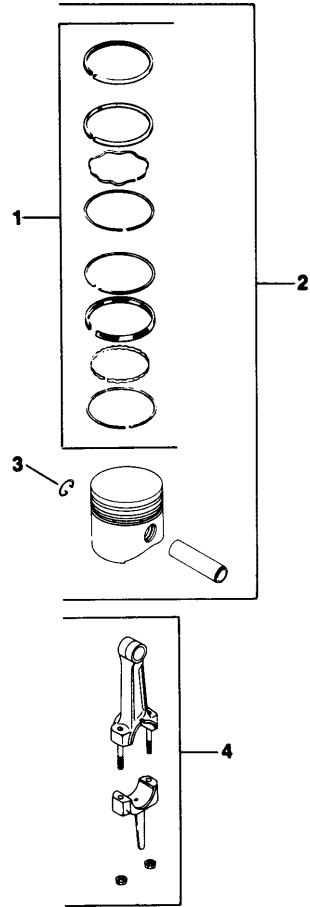
CRANKSHAFT AND FLYWHEEL

REF.	PART NO.	DESCRIPTION	REQ'D
1	C32892	KIT - crankshaft (3010)	1
1	C32893	KIT - crankshaft (2012)	1
1	C32894	KIT - crankshaft (3014, 4014)	1
2	KOA236507	GEAR ASSEMBLY - balance	2
3	C32896	BEARING-needle	2
4	C22754	KIT - spacer	1
5	C32897	RETAINER	2
6	C32914	FLYWHEEL	1
7	126-22	KEY - woodruff 3/16" x 1	1
8	C32917	WASHER-13/32"xl-3/8"	1
9	28-620	BOLT-3/8"-24x1-1/8"	1
10	C32919	SPACER	4
11	C32920	FAN-blower	1
12	121-21	SCREW-1/4"-20x1/2"	4
13	C32921	SCREEN-grass	1

OIL FILL TUBE

1	C32902	DIPSTICK-oil	1
2	C32903	"O" RING	1
3	C32904	TUBE - oil fill adapter	1
4	182-552	SCREW-#10-24x1/2"	3
5	KO237064	GASKET - oil fill tube	1

INDEX

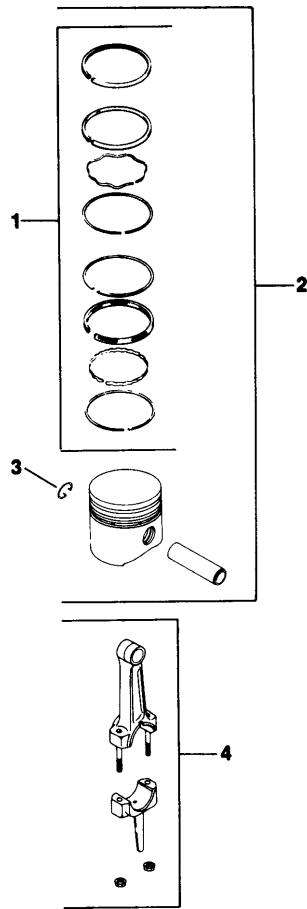


MODEL 3010, 3012, 3014 and 4014 COMPACT TRACTORS

**RINGS, PISTON AND CONNECTING ROD
For Model 3010**

REF.	PART NO.	DESCRIPTION	REQ'D
1	KO235287	RING SET - standard.....	1
1	KO235288	RING SET - .010" (0.25 mm) oversize.....	1
1	KO235289	RING SET - .020" (0.51" mm) oversize.....	1
1	KO235290	RING SET - .030" (0.76 mm) oversize.....	1
2	C29516	PISTON ASSEMBLY - includes rings (standard).....	1
2	C29517	PISTON ASSEMBLY - includes rings .003" (0.08 mm) oversize.....	1
2	C29518	PISTON ASSEMBLY - includes rings .010" (0.25 mm) oversize.....	1
2	C29519	PISTON ASSEMBLY - includes rings .020" (0.51 mm) oversize.....	1
2	C29520	PISTON ASSEMBLY - includes rings .030" (0.76 mm) oversize.....	1
3	KO235004	RETAINER - piston pin	2
4	C30484	CONNECTING ROD ASSEMBLY - standard	1
4	C18101	CONNECTING ROD ASSEMBLY - .010" (0.25 mm) undersize.....	1

INDEX



MODEL 3010, 3012, 3014 and 4014 COMPACT TRACTORS

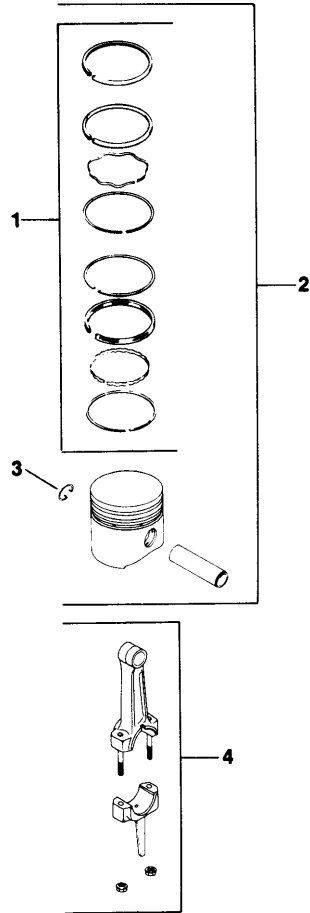
**RINGS, PISTON AND CONNECTING ROD
For Model 3012
(Use Before Engine Serial Number 1730100013)**

REF.	PART NO.	DESCRIPTION	REQ'D
1	KO235889	RING SET-standard.....	1
1	KO235890	RING SET - .010" (0.25 mm) oversize.....	1
1	KO235891	RING SET - .020" (0.51 mm) oversize.....	1
1	KO235892	RING SET - .030" (0.76 mm) oversize.....	1
2	C29521	PISTON ASSEMBLY - includes rings (standard).....	1
2	C29522	PISTON ASSEMBLY - includes rings .003" (0.08 mm) oversize.....	1
2	C29523	PISTON ASSEMBLY - includes rings .010" (0.25 mm) oversize.....	1
2	C29524	PISTON ASSEMBLY - includes rings .020" (0.51 mm) oversize.....	1
2	C29525	PISTON ASSEMBLY - includes rings .030" (0.76 mm) oversize.....	1
3	KO235004	RETAINER - piston pin	2
4	C30483	CONNECTING ROD ASSEMBLY - standard	1
4	C23135	CONNECTING ROD ASSEMBLY - .010" (0.25 mm) undersize.....	1

(Use After Engine Serial Number 1729900003)

1	C32817	RING SET - standard.....	1
1	C32818	RING SET - .010" (0.25mm) oversize.....	1
1	C32819	RING SET - .020" (0.51 mm) oversize.....	1
1	C32820	RING SET - .030" (0.76 mm) oversize.....	1
2	C32834	PISTON ASSEMBLY - includes rings (standard).....	1
2	C32835	PISTON ASSEMBLY - includes rings .003" (0.08 mm) oversize.....	1
2	C32836	PISTON ASSEMBLY - includes rings .010" (0.25 mm) oversize.....	1
2	C32837	PISTON ASSEMBLY - includes rings .020" (0.51 mm) oversize.....	1
2	C32838	PISTON ASSEMBLY - includes rings .030" (0.76 mm) oversize.....	1
3	KO235004	RETAINER - piston pin	2
4	C32800	CONNECTING ROD ASSEMBLY - standard	1
4	C32801	CONNECTING ROD ASSEMBLY - .010" (0.25 mm) undersize.....	1

INDEX



MODEL 3010, 3012, 3014 and 4014 COMPACT TRACTORS

**RINGS, PISTON AND CONNECTING ROD
(For Model 3014 and 4014)**

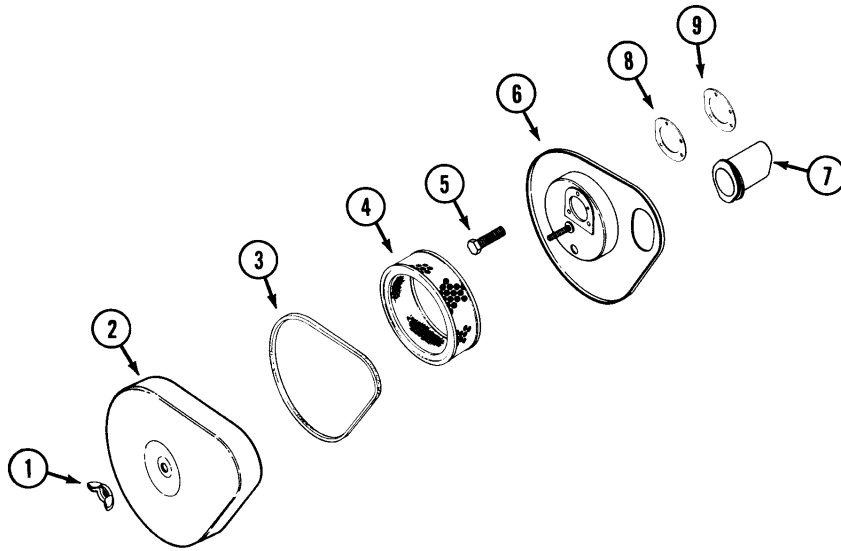
(Use Before Engine Serial Number 1822205133)

REF.	PART NO.	DESCRIPTION	REQ'D
1	C32844	RINGSET - standard.....	1
1	C32845	RING SET - .010" (0.25 mm) oversize.....	1
1	C32846	RING SET - .020" (0.51 mm) oversize.....	1
1	C32847	RINGSET - .030"(0.76mm)oversize.....	1
2	C29526	PISTON ASSEMBLY - includes rings (standard).....	1
2	C29527	PISTON ASSEMBLY - includes rings .003" (0.08") oversize.....	1
2	C29528	PISTON ASSEMBLY - includes rings .010" (0.25 mm) oversize.....	1
2	C29529	PISTON ASSEMBLY - includes rings .020" (0.51 mm) oversize.....	1
2	C29530	PISTON ASSEMBLY - includes rings .030" (0.76 mm) oversize.....	1
3	KO235004	RETAINER - piston pin	2
4	C30483	CONNECTING ROD ASSEMBLY - standard	1
4	C23135	CONNECTING ROD ASSEMBLY - .010" (0.25 mm) oversize.....	1

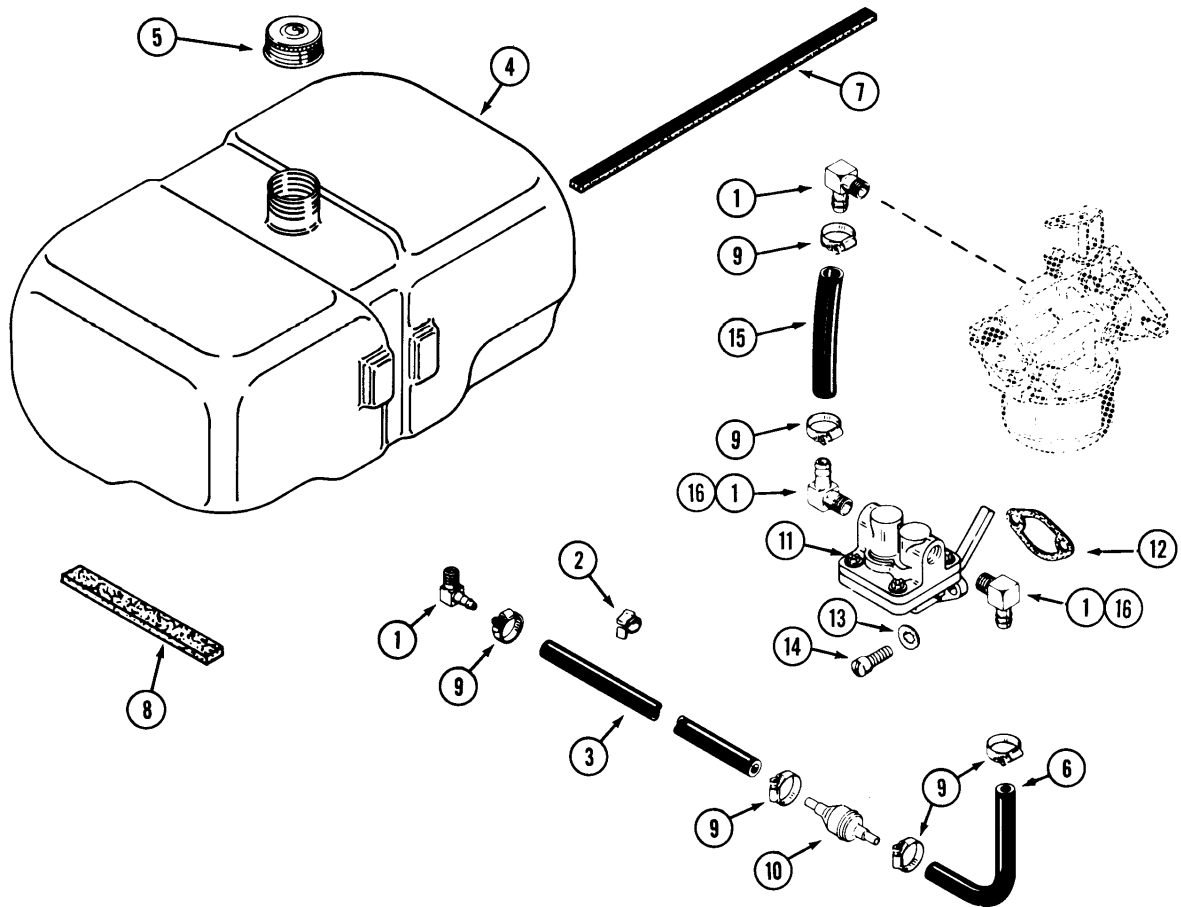
(Use After Engine Serial Number 1822205123)

1	C32821	RINGSET - standard.....	1
1	C32822	RINGSET - .010" (0.25mm) oversize.....	1
1	C32823	RINGSET - .020" (0.51mm) oversize.....	1
1	C32824	RING SET - .030" (0.76 mm) oversize.....	1
2	C32839	PISTON ASSEMBLY - includes rings (standard).....	1
2	C32840	PISTON ASSEMBLY - includes rings .003" (0.08 mm) oversize.....	1
2	C32841	PISTON ASSEMBLY - includes rings .010" (0.25 mm) oversize.....	1
2	C32842	PISTON ASSEMBLY - includes rings .020" (0.51 mm) oversize.....	1
2	C32843	PISTON ASSEMBLY - includes rings .030" (0.76 mm) oversize.....	1
3	KO235004	RETAINER - piston pin	2
4	C32800	CONNECTING ROD ASSEMBLY - standard	1
4	C32801	CONNECTING ROD ASSEMBLY - .010" (0.25 mm) undersize.....	1

INDEX



INDEX



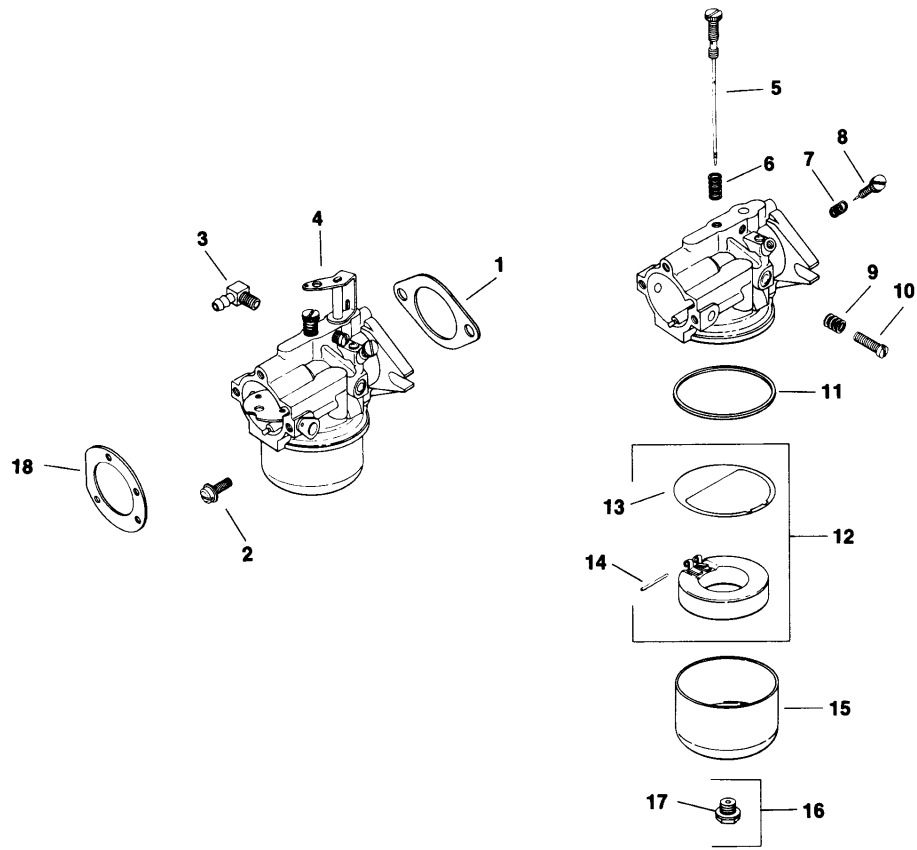
INDEX**MODEL 3010, 3012, 3014 and 4014 COMPACT TRACTORS****AIR CLEANER**

REF.	PART NO.	DESCRIPTION	REQ'D
1	C26703	NUT - wing 1/4" -20.....	1
2	C32812	COVER - air cleaner	1
3	C32805	SEAL - cover	1
4	C32813	ELEMENT - air cleaner	1
5	C32814	SCREW - #10 – 32 x 15/16".....	3
6	C32815	BASE - air cleaner.....	1
7	C32827	TUBE - air.....	1
8	C32799	GASKET - air horn	2
9	C32825	SPACER.....	1

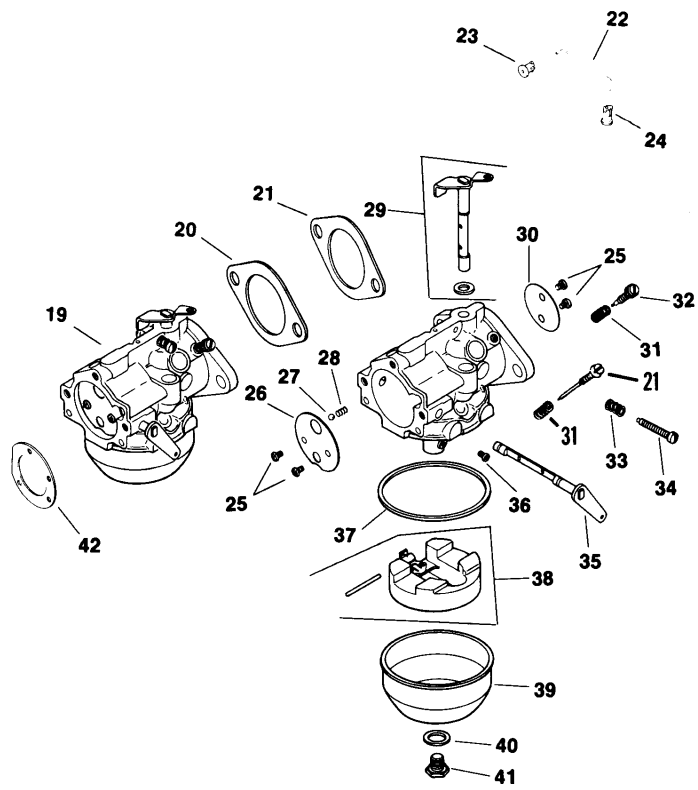
INDEX**FUEL SYSTEM**

REF.	PART NO.	DESCRIPTION	REQ'D
1	C10678	ELBOW – hose 90°	1
2	C28962	RETAINER - fuel line	1
3	NSS	HOSE - fuel line (use C28937 cut to length).....	1
4	C28940	TANK - fuel.....	1
5	C11529	CAP - fuel tank (includes insert)	1
6	NSS	HOSE - fuel line (use C28937 cut to length).....	1
7	C23527	LINER - tank.....	1
8	C14690	CUSHION - fuel tank.....	2
9	C32376	CLAMP - hose 1/2".....	4
10	C31978	FILTER - fuel.....	1
11	C24851	PUMP - fuel (includes gasket & washers).....	1
12	C24887	GASKET - fuel pump	1
13	195-518	WASHER - 1/4"	2
14	C32923	SCREW - sems 1/4" - 20 x 3/4".....	2
15	NSS	HOSE - fuel line (use C28937 cut to length).....	1
16	C34413	FITTING - 90°, fuel pump ("O" ring style).....	2

INDEX



INDEX



MODEL 3010, 3012, 3014 and 4014 COMPACT TRACTORS

KOHLER CARBURETOR

With Adjustable Main Fuel Jet

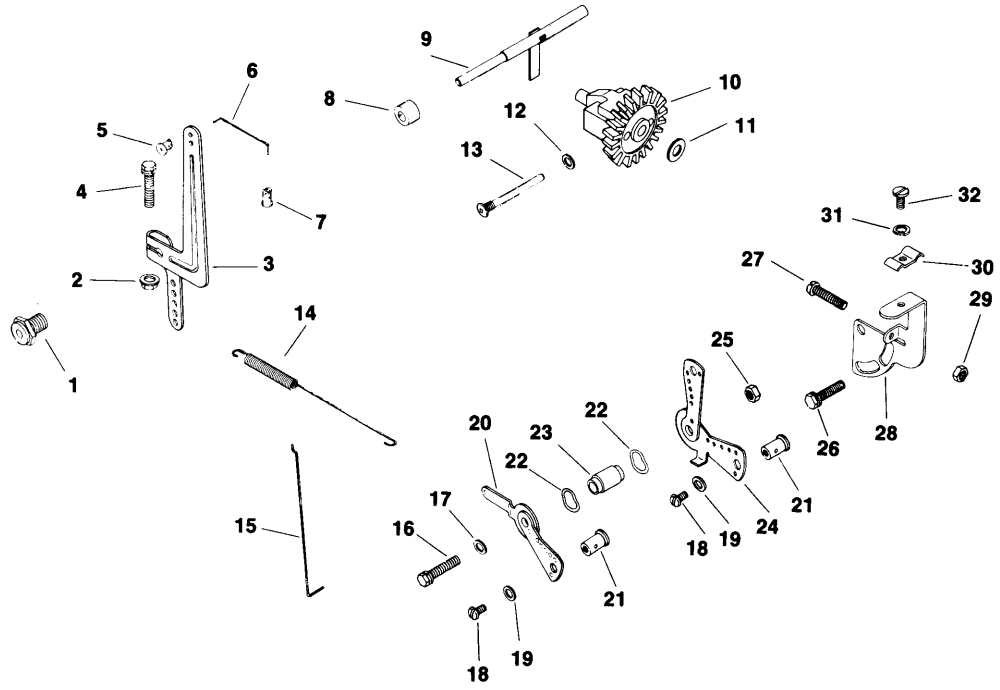
REF.	PART NO.	DESCRIPTION	REQ'D
1	C23860	GASKET - carburetor mounting	1
2	NSS	SCREW - 5/16"- 18 x 1"(use 113-103 and 192-20)	2
3	C10678	CONNECTOR - hose, 90°	1
4	NSS	CARBURETOR ASSEMBLY - 3010, 3012 (use C33215)	1
4	NSS	CARBURETOR ASSEMBLY - 3014, 4014 (use C33216)	1
5	C28879	NEEDLE - main fuel adjust (3010, 3012)	1
5	C24652	NEEDLE - main fuel adjust (3014, 4014)	1
6	KO200383	SPRING - main fuel	1
7	A72098	SPRING - idle fuel	1
8	C28880	NEEDLE - idle fuel adjust (3010, 3012)	1
8	K0275231	NEEDLE - idle fuel adjust (3014,4014)	1
9	C32853	SPRING - idle speed	1
10	C32938	SCREW - idle speed adjust	1
11	NSS	GASKET - bowl (useC27278kit)	1
12	C27276	KIT - float	1
13	C27277	GASKET - bowl baffle	1
14	C28676	PIN - float	1
15	KO235448	BOWL - fuel	1
16	C26422	SCREW AND GASKET - bowl retaining	1
17	NSS	GASKET - bowl retaining screw	1
18	C32799	GASKET - air cleaner	1
	C27278	KIT - carburetor repair	1
	C32856	KIT - choke and throttle repair	1

WALBRO CARBURETOR

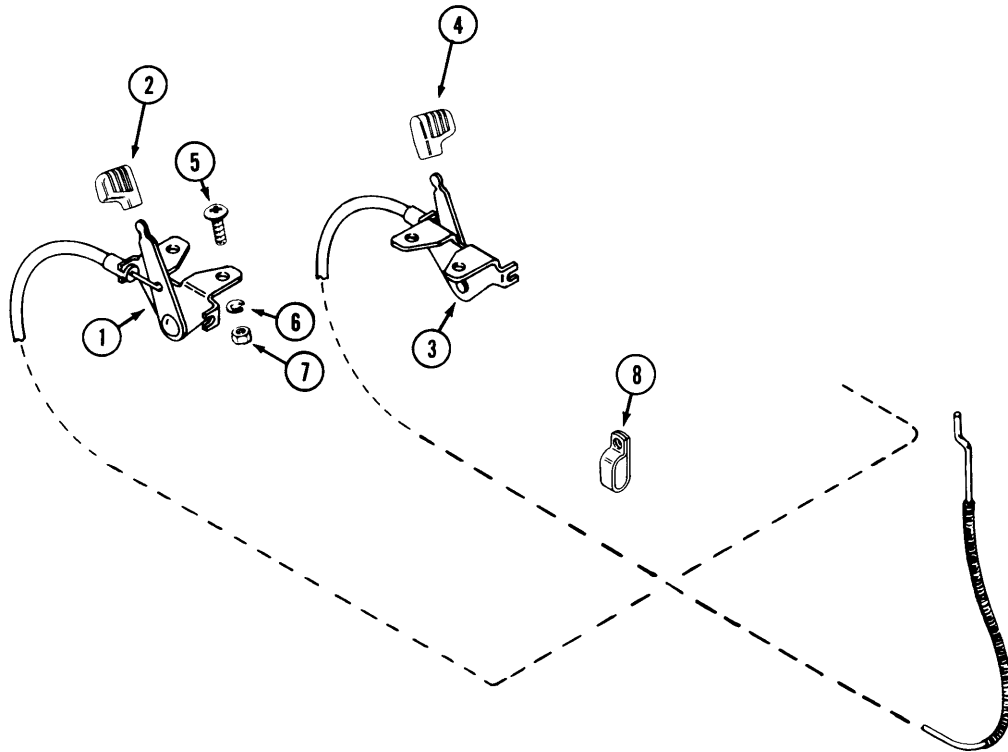
With Fixed and Adjustable Main Fuel Jet

REF.	PART NO.	DESCRIPTION	REQ'D
19	NSS	CARBURETOR ASSEMBLY - 3010, 3012 (use C33215)	1
19	NSS	CARBURETOR ASSEMBLY - 3014, 4014 (use C33216)	1
20	C23860	GASKET - carburetor mounting	1
21	C33310	NEEDLE - main fuel adjust	1
22	C32859	LINKAGE - carburetor	1
23	C32927	BUSHING - retaining (natural)	1
24	C32925	BUSHING - retaining (yellow or black)	1
25	C32862	SCREW - throttle and choke plate	4
26	C32863	PLATE - choke (3010, 3012)	1
26	C32864	PLATE - choke (3014, 4014)	1
27	C32865	BALL - choke friction	1
28	C32866	SPRING - choke friction	1
29	C32867	SHAFT - throttle (includes lever and seal) 3010, 3012	1
29	C32868	SHAFT - throttle (includes lever and seal) 3014, 4014	1
30	C32869	PLATE - throttle (3010, 3012)	1
30	C32870	PLATE - throttle (3014, 4014)	1
31	C32871	SPRING - idle fuel	1
32	C32872	NEEDLE - idle fuel adjust	1
33	C32873	SPRING - idle speed	1
34	C32874	SCREW - idle speed adjust	1
35	C32875	LEVER - choke	1
36	C32876	JET - main fuel, fixed (3010, 3012)	1
36	C32877	JET - main fuel, fixed (3014, 4014)	1
37	C32878	GASKET - bowl	1
38	C32879	KIT - float	1
39	C32880	BOWL - fuel	1
40	C32881	GASKET - bowl retaining screw	1
41	C32882	SCREW - bowl retaining	1
42	C32799	GASKET - air cleaner	1
	C34416	KIT - carburetor repair	1

INDEX



INDEX



MODEL 3010, 3012, 3014 and 4014 COMPACT TRACTORS

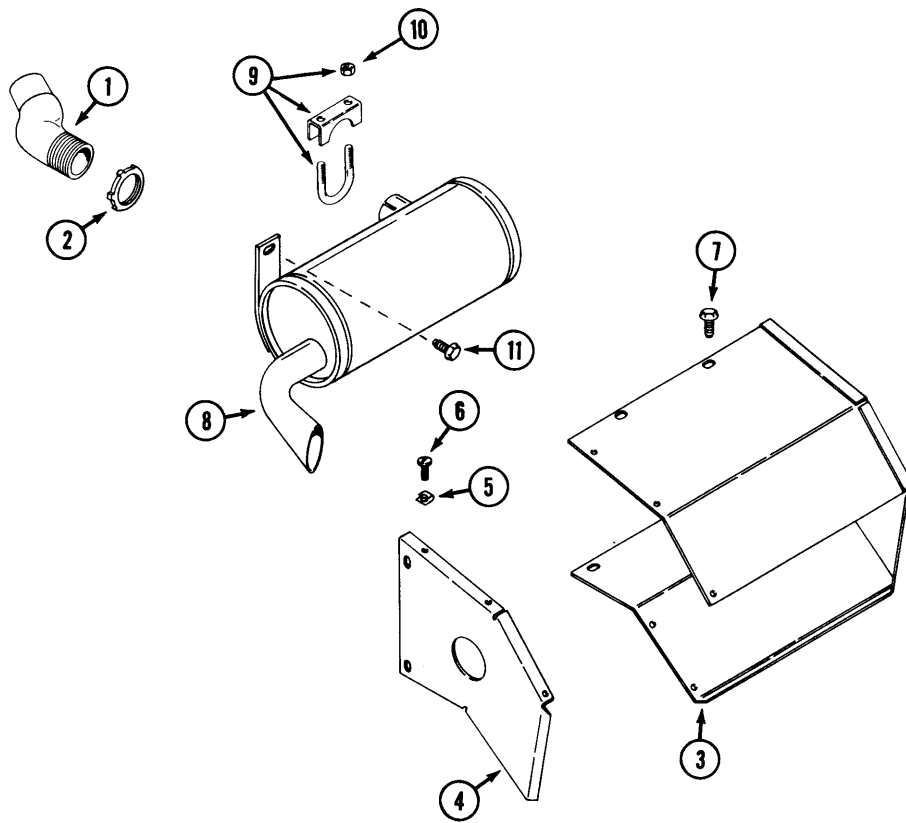
GOVERNOR AND CHOKE LEVER

REF.	PART NO.	DESCRIPTION	REQ'D
1	KO235476	BUSHING - governor	1
2	C32850	PALNUT - 1/4" - 20	1
3	C32924	LEVER - governor	1
4	113-17	SCREW - 1/4" - 20 x 1-1/4"	1
5	C32925	BUSHING - retaining (black)	1
6	C32926	LINKAGE - governor	1
7	C32927	BUSHING - retaining(natural)	1
8	C28878	SPACER	1
9	C23126	KIT - governor shaft	1
10	C27274	KIT - governor gear	1
11	KO237022	WASHER - thrust	1
12	C32929	WASHER - 1/4"	1
13	C28690	PIN - governor stop	1
14	C32930	SPRING - governor	1
15	C32931	LINKAGE - choke	1
16	113-17	SCREW - 1/4" - 20 x 1-1/4"	1
17	195-518	WASHER - 1/4"	1
18	NSS	SCREW #8 - 32 x 1/4" slotted panhead (use C32935 kit)	1
19	NSS	WASHER - 1/4" (use C32935 kit)	2
20	C32934	LEVER - choke	1
21	C32935	KIT - clamp (includes ref. 18, 19)	1
22	KO275690	WASHER - wave	2
23	C32936	SPACER	1
24	C32937	LEVER - throttle	1
25	129-101	NUT - hex 1/4" - 20	1
26	121-21	SCREW - 1/4" - 20 x 1/2"	1
27	C32938	SCREW	1
28	C32939	BRACKET - control	1
29	C32940	NUT - hex #8 - 32	1
30	C32941	CLAMP - swivel	1
31	C32942	WASHER	1
32	182-559	SCREW - hex washer head #10 - 24 x 3/4"	1

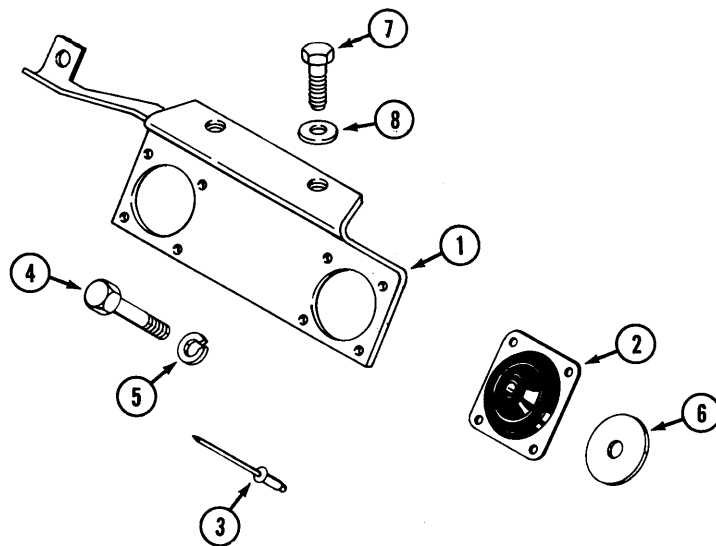
CHOKE AND THROTTLE

1	C33413	CONTROL - throttle	1
2	C30073	HANDLE - throttle control, orange	1
3	C31891	CONTROL - choke	1
4	C30074	HANDLE - choke control, black	1
5	182-559	BOLT - No. 10-24 x 3/4" Phillips, black	2
6	192-18	LOCKWASHER - No.10	2
7	129-17	NUT - No. 10-24	2
8	C33218	CLIP - cable	1

INDEX



INDEX



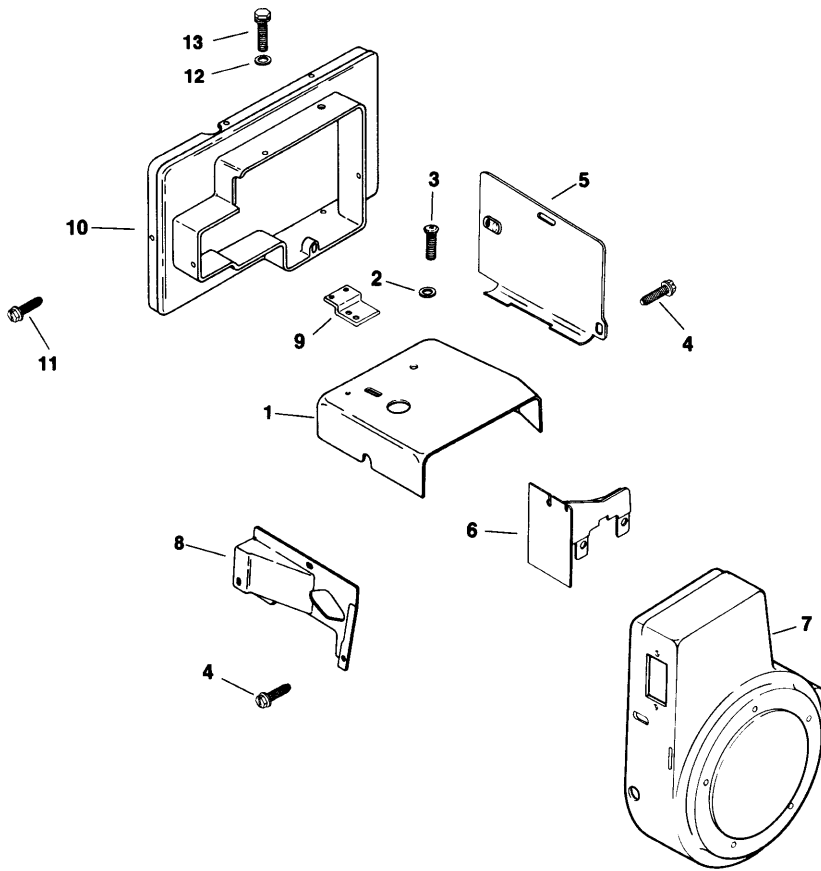
INDEX**MODEL 3010, 3012, 3014 and 4014 COMPACT TRACTORS****EXHAUST SYSTEM**

REF.	PART NO.	DESCRIPTION	REQ'D
1	C32915	ELBOW - exhaust	1
2	C32916	NUT - lock	1
3	C31360	SHIELD - muffler	1
4	C31364	SHIELD - R.H.	1
5	C31568	NUT - tinnerman #8-32	6
6	187-1334	SCREW - #8 - 18 x 1/2"	6
7	121-21	BOLT - 1/4" - 20 x 1/2" flange lock	8
8	NSS	MUFFLER - exhaust (use C33424)	1
9	C31412	CLAMP - muffler	1
10	129-102	NUT - 5/16" - 18	2
11	121-106	BOLT - 5/16" - 18 x 1/2" flangelock	1
	C33028	KIT - exhaust deflector (optional)	1
	121-21	BOLT - 1/4" - 20 x 1/2"	1
	131-934	NUT - 1/4" flange lock	1

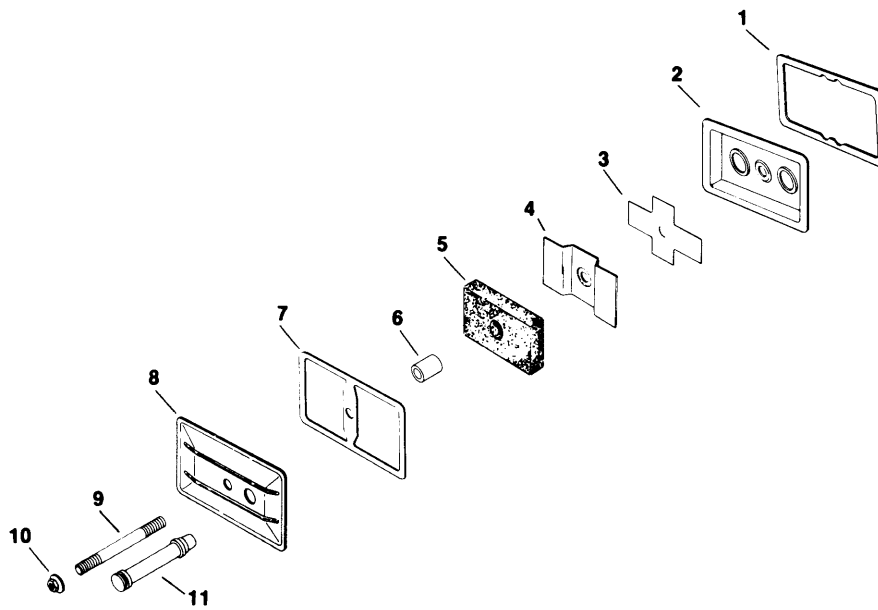
INDEX**ENGINE MOUNTS**

1	C31956	PLATE - engine mount R.H. (shown).....	1
1	C31666	PLATE - engine mount L.H.	1
2	C32268	MOUNT - engine	4
3	NSS	RIVET - 3/16" x 7/16" (use 151-539).....	16
4	113-219	BOLT - 3/8" - 16 x 2"	4
5	192-21	LOCKWASHER - 3/8"	4
6	C25556	WASHER - snubbing.....	4
7	113-208	BOLT - 3/8" - 16 x 1-1/4	4
8	195-525	WASHER - 3/8"	4

INDEX



INDEX



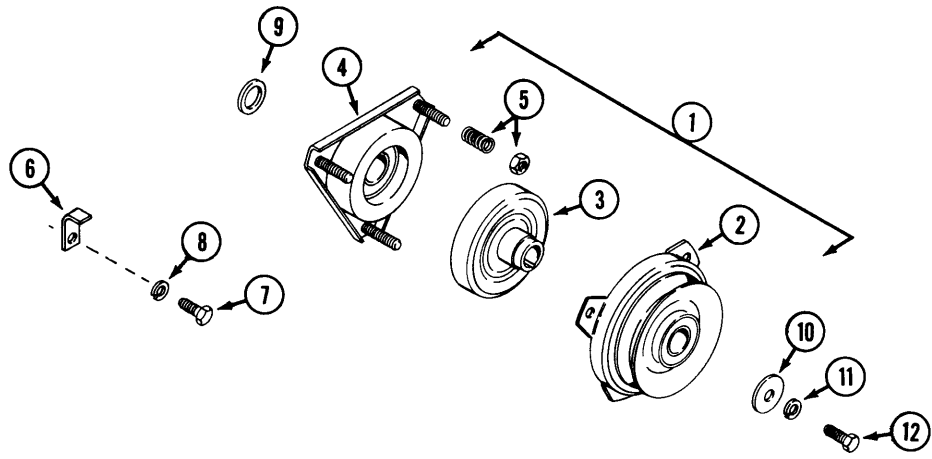
INDEX**MODEL 3010, 3012, 3014 and 4014 COMPACT TRACTORS****BAFFLES AND SHROUDS**

REF.	PART NO.	DESCRIPTION	REQ'D
1	C32810	BAFFLE - head (3010) shown	1
1	C32809	BAFFLE - head (3012, 3014, 4014).....	1
2	195-518	WASHER - 1/4"	1
3	71-410	SCREW - 1/4"-20x5/8"	1
4	121-21	SCREW - 1/4"-20x1/2"	8
5	C32811	BAFFLE - cylinder	1
6	C32808	BAFFLE - inner	1
7	C32804	HOUSING - blower.....	1
8	C32807	BAFFLE - side air	1
9	C32826	BRACKET - air duct	1
10	C32830	KIT - air duct.....	1
11	182-525	SCREW - #10 - 32 x 7/16"	3
12	195-102	WASHER - 5/16"	1
13	113-104	SCREW - 5/16" - 18 x 1-1/4	1

INDEX**BREATHER AND VENT**

1	KO235048	GASKET - breather plate	1
2	KO235631	PLATE - breather	1
3	KO235047	REED - breather.....	1
4	C32798	BAFFLE - breather	1
5	C32806	FILTER-breather	1
6	KO231032	SEAL - breather	1
7	KO275144	GASKET - valve cover	1
8	C32816	COVER - valve.....	1
9	KO275220	STUD - 1/4" - 20 x 3-1/4"	1
10	C32850	PALNUT - 1/4" - 20	1
11	C32828	HOSE - breather	1

INDEX

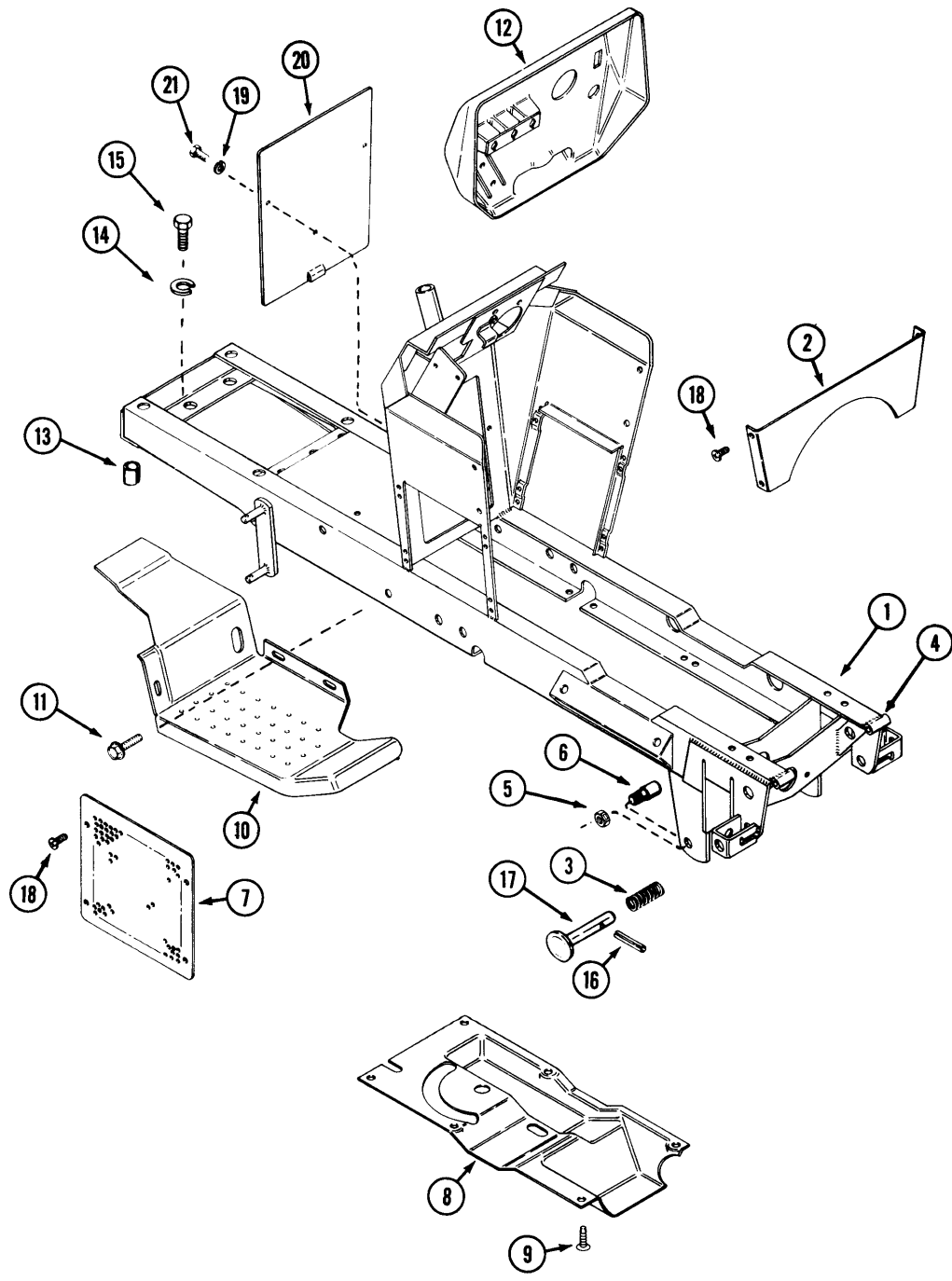


MODEL 3010, 3012, 3014 and 4014 COMPACT TRACTORS

PTO ELECTRIC CLUTCH

REF.	PART NO.	DESCRIPTION	REQ'D
1	C33197	CLUTCH - PTO	1
2	C32378	AMATURE - clutch.....	1
3	C32379	ROTOR - clutch	1
4	C32380	FIELD - clutch	1
5	C32381	KIT - spring and nut	1
6	C31297	BRACKET - anti-rotation	1
7	113-206	BOLT - 3/8" - 16 x 3/4" (secure with LOCK TITE).....	1
8	192-21	LOCKWASHER - 3/8"	2
9	C31614	SPACER - clutch.....	1
10	C31615	WASHER - clamping.....	1
11	192-22	LOCKWASHER - 7/16"	1
12	14-724	BOLT - 7/16" - 20 x 1-1/2" (use 50 ft. lbs. torque).....	1

INDEX

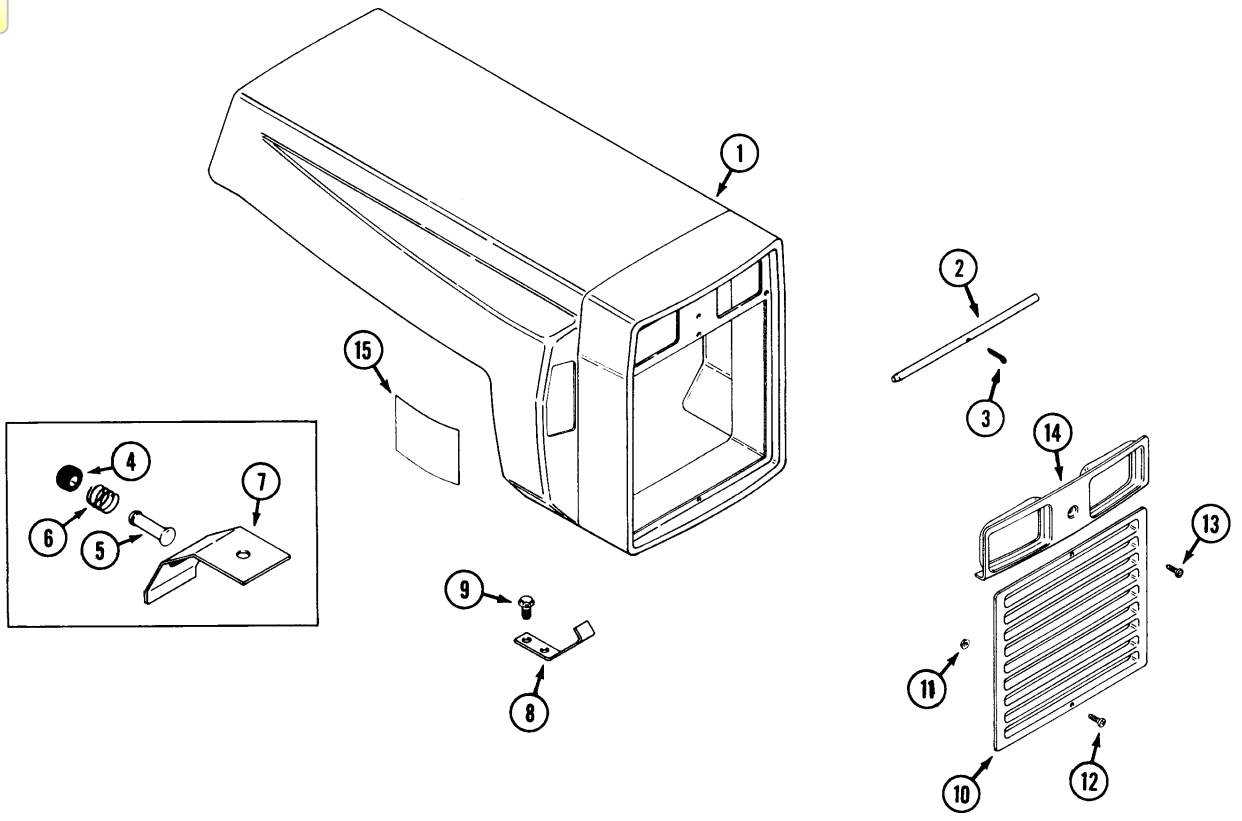


MODEL 3010, 3012, 3014 and 4014 COMPACT TRACTORS

FRAME, FOOT PADS AND BELLY PAN

REF.	PART NO.	DESCRIPTION	REQ'D
1	C31624	FRAME - main (3010, 3012, 3014).....	1
1	C31626	FRAME - main (4014).....	1
2	C31610	SHIELD – oil tank.....	1
3	C24137	SPRING - latch.....	1
4	C22023	HINGE - frame.....	2
5	131-1318	NUT – lock 1/2"N.F.....	2
6	C27508	PIN - attachment.....	2
7	C31967	SCREEN – tower side.....	2
8	C31369	PAN - belly.....	1
9	C31603	RETAINER – belly pan.....	6
10	C30458	PAD – foot L.H. (3010,3012, 3014).....	1
10	C30460	PAD – foot R.H. (3010, 3012, 3014) shown.....	1
10	C30462	PAD – foot L.H. (4014).....	1
10	C30464	PAD – foot R.H. (4014).....	1
11	121-106	BOLT-5/16"x1/2"N.C.flangelock.....	4
12	C31368	CAP - instrument panel.....	4
13	C14730	SPACER - rear, frame (3010, 3012, 3014).....	2
14	192-23	LOCKWASHER - 1/2".....	4
15	113-424	BOLT - 1/2"-13 x 1" transaxle mounting.....	UAR
15	166-85	BOLT - 1/2" x 1", l2pt. flange.....	UAR
16	138-2073	PIN – roll 3/16" x 1 -1/4".....	2
17	C16373	PIN - latch.....	2
18	C31597	BOLT-1/4" – 20 x 1/2" black.....	12
19	192-19	LOCKWASHER - 1/4".....	2
20	C31359	COVER - access.....	1
21	187-1036	SCREW - 1/4" – 20 x 1/2"self tap.....	2

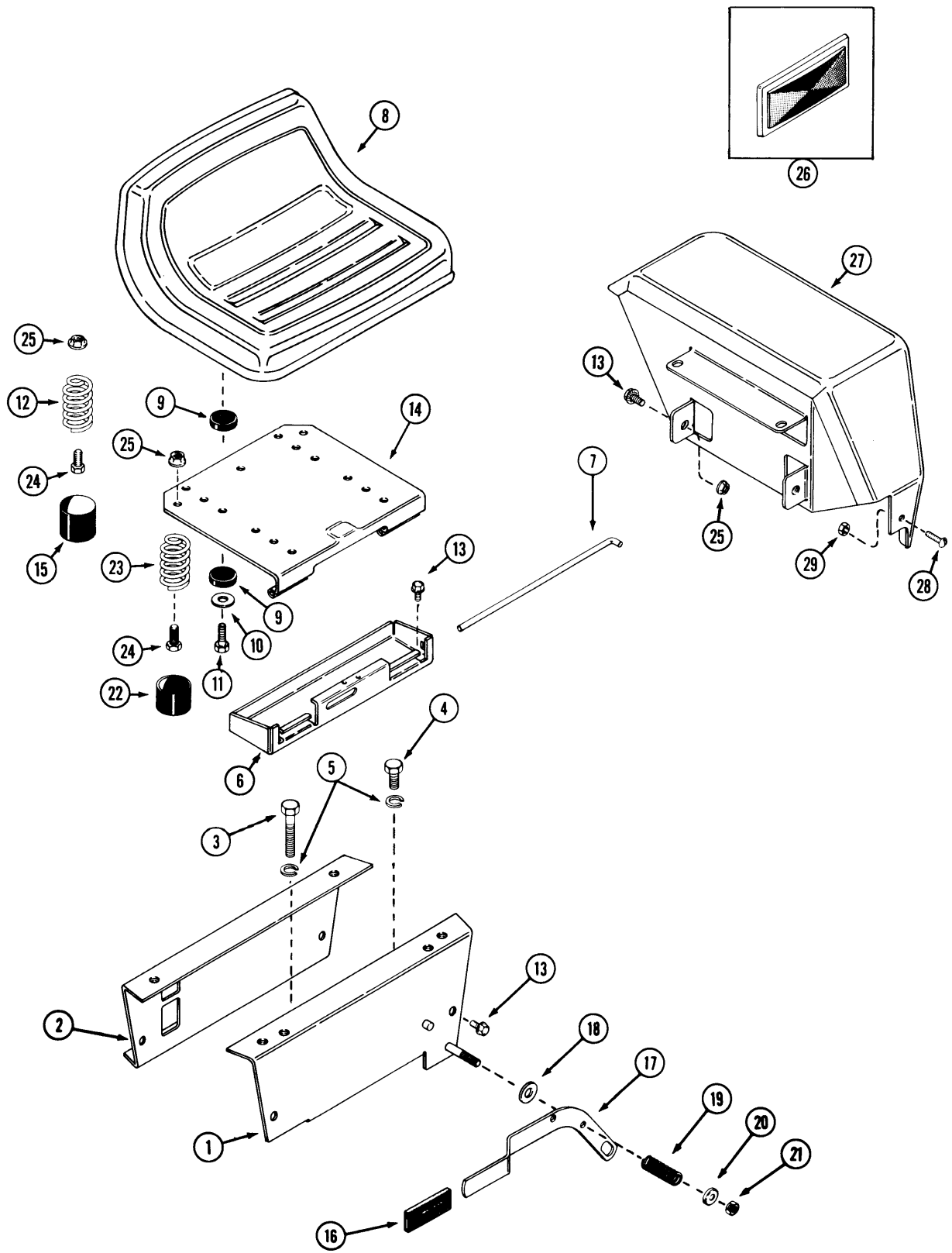
INDEX



HOOD AND GRILLE

REF.	PART NO.	DESCRIPTION	REQ'D
1	C31352	HOOD.....	1
	C31357	HINGE - hood (not shown) is welded to hood	1
2	C16362	ROD - hood hinge	1
3	132-334	PIN - cotter 1/8" x 3/4"	1
4	C29314	BUTTON - push, hood release	1
5	C30126	ROD - push, hood release	1
6	C30004	SPRING - release	1
7	C33467	LATCH - hood	1
8	C31611	BRACKET - hood stop	2
9	121-106	BOLT - 5/16" - 18 x 1/2" flangelock	4
10	C31365	GRILLE.....	1
11	131-934	NUT - 1/4"-20 flangelock	2
12	C31597	SCREW - 1/4"-20 x 1/2" black.....	2
13	187-1328	SCREW - #8-18 x 3/8"	1
14	C31366	SHROUD - headlight.....	1
15	C31612	SHIELD - heat	1

INDEX

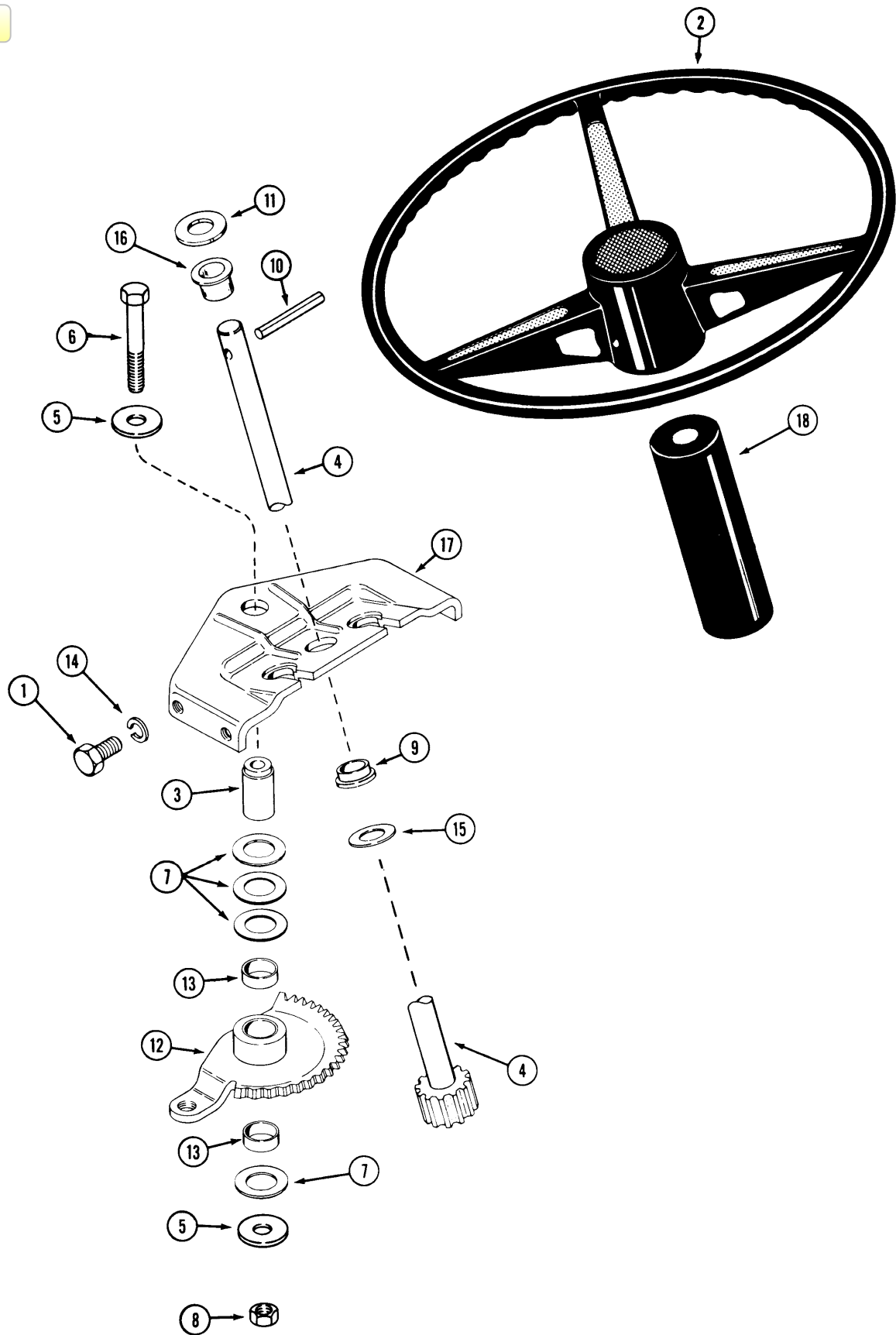


MODEL 3010, 3012, 3014 and 4014 COMPACT TRACTORS

SEAT, FENDERS AND TOOL TRAY

REF.	PART NO.	DESCRIPTION	REQ'D
1	C31020	SUPPORT - seat, front shown (3010, 3012, 3014)	1
1	C31021	SUPPORT - seat, front (4014)	1
2	C26827	SUPPORT - seat, rear (3010, 3012, 3014)	1
2	C27224	SUPPORT - seat, rear (4014)	1
3	113-427	BOLT - 1/2" x 3-1/4" (3010,3012,3014)	2
3	113-441	BOLT - 1/2" x 2-1/4" N.C. hex (4014)	2
4	113-424	BOLT - 1/2" x 1" N.C. hex	1
4	113-118	BOLT - 5/16" x 5/8"	1
5	192-20	LOCKWASHER - 5/16"	1
5	192-23	LOCKWASHER - 1/2"	4
6	C31004	TRAY - tool	1
7	C16429	PIN - seat hinge	1
8	C30071	SEAT - shown (black) (3010, 3012, 3014)	1
8	C30066	SEAT - (black) (4014) high back	1
9	C15410	CUSHION - rubber	8
10	195-2175	WASHER - 5/16" x 1-1/4" OD, zinc	4
11	113-122	BOLT - 5/16" x 1-1/2"	4
12	C31006	SPRING - seat switch	1
13	121-106	BOLT - 5/16" x 1/2" flangelock	10
14	C31005	HINGE ASSEMBLY - seat	1
15	C26526	CAP - spring	1
16	C14728	GRIP - shift lever	1
17	C27594	LEVER - shift	1
18	195-525	WASHER - 7/16" x 1-1/4" O.D	1
19	C17216	SPRING - shift lever	1
20	C30489	WASHER	1
21	131-1216	NUT - lock 3/8" N.C. hex	1
22	C29305	CAP - spring	2
23	C29306	SPRING - seat	2
24	113-102	BOLT - 5/16" - 18 x 3/4"	3
25	131-911	NUT - 5/16" - 18 flange lock	7
26	C30942	REFLECTOR - red, rear fender	2
27	C32386	FENDER - RH. (3010, 3012, 3014)	1
27	C32385	FENDER - L.H. shown (3010, 3012, 3014)	1
27	C32388	FENDER - R.H. (4014)	1
27	C32387	FENDER - L.H. (4014)	1
28	182-547	SCREW - 1/4" -20 x 1/2	2
29	131-934	NUT - 1/4"	2

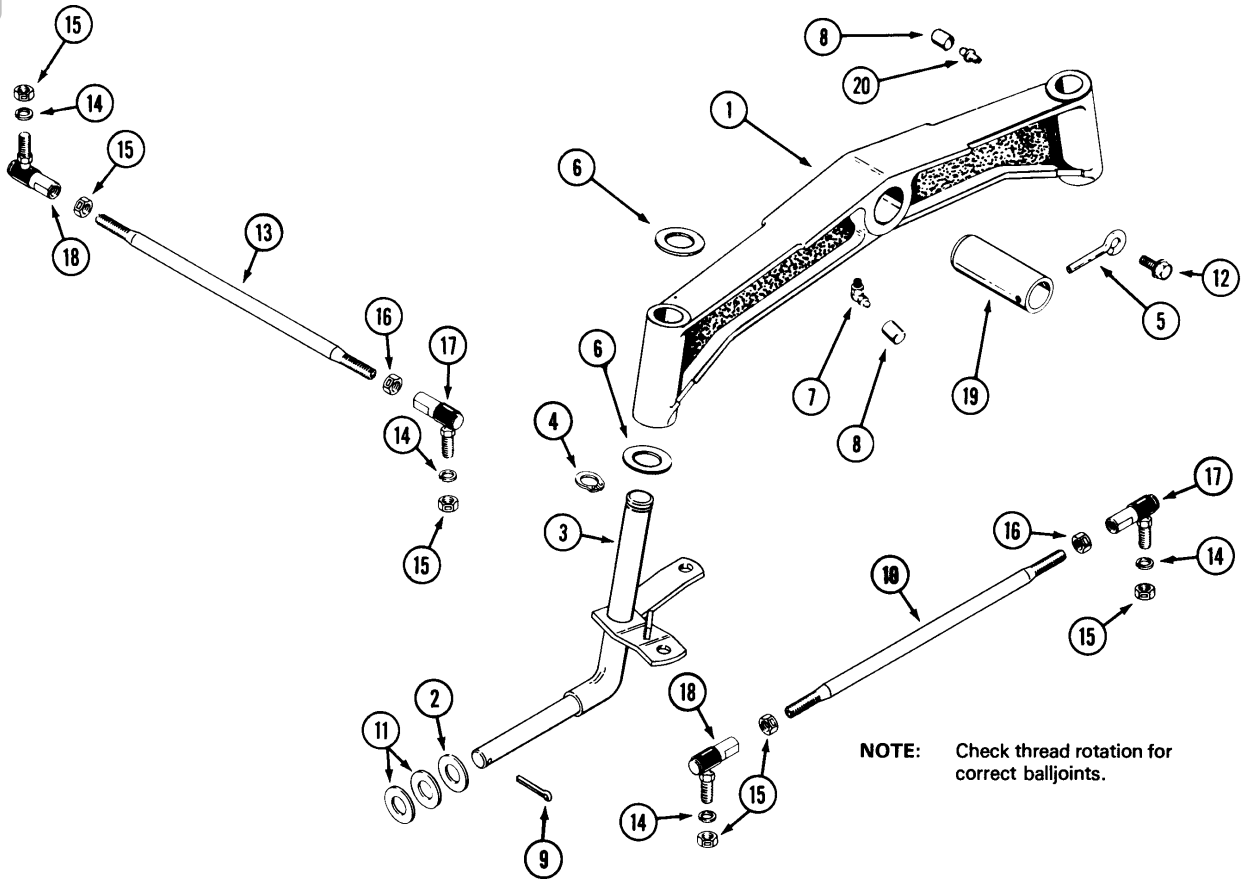
INDEX



STEERING GEAR

REF.	PART NO.	DESCRIPTION	REQ'D
1	113-206	BOLT - 3/8" x 3/4"N.C. hex	4
2	C26325	WHEEL - steering	1
3	C29044	PIN - pivot.....	1
4	C26326	SHAFT - steering	1
5	C29812	WASHER - 3/8" x 1.4	2
6	113-241	BOLT - 3/8" - 16 x 3"	1
7	C14201	WASHER - shim.....	4
8	131-1352	NUT - 3/8" - 16 hex lock, flange	1
9	C27501	BUSHING	1
10	138-143	PIN-roll 1/4" x 2-1/4".....	1
11	195-541	WASHER - 5/8"	UAR
11	195-2206	WASHER - 5/8" x 1-1/4" x .06".....	UAR
12	C33309	GEAR - steering	1
13	C33308	BUSHING - sleeve	2
14	192-21	LOCKWASHER - 3/8"	4
15	195-2069	WASHER - 5/8" zinc plated.....	2
16	C15096	BUSHING - flanged nylon	1
17	C30019	SUPPORT - steering gear (includes item 9).....	1
18	C30127	TUBE - steering.....	1

INDEX



NOTE: Check thread rotation for correct balljoints.

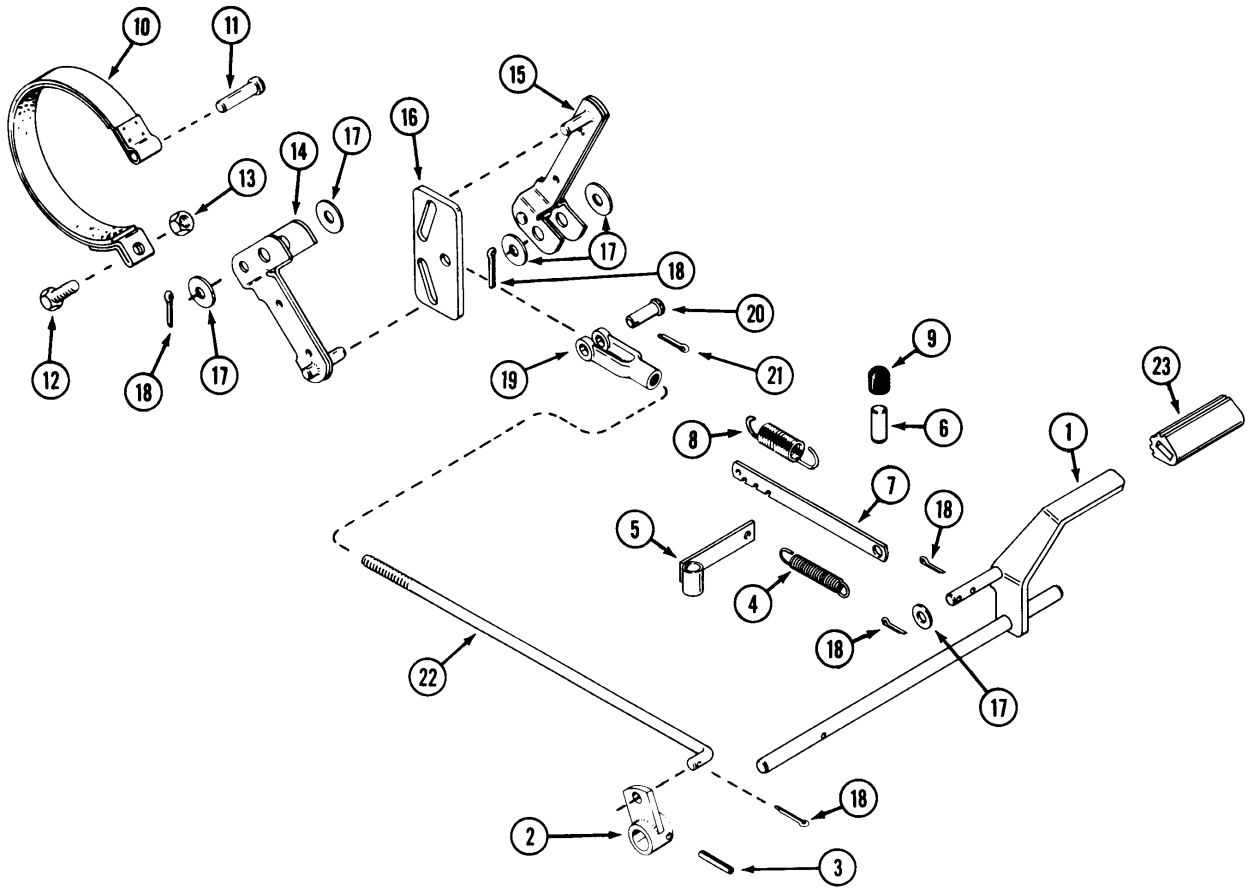
MODEL 3010, 3012, 3014 and 4014 COMPACT TRACTORS

FRONT AXLE

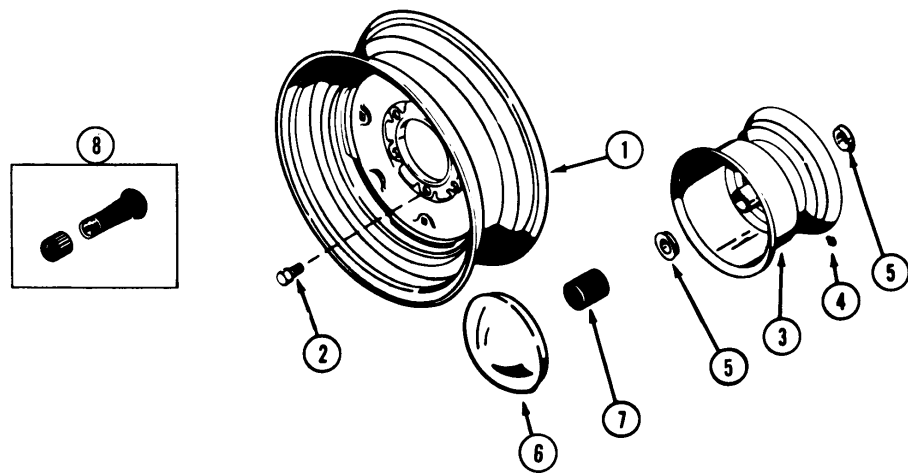
REF.	PART NO.	DESCRIPTION	REQ'D
1	C18812	AXLE - front (3010, 3012, 3014).....	1
1	C18813	AXLE - front shown (4014).....	1
2	C27597	WASHER - spacer.....	2
3	C31338	SPINDLE - R.H. (3010, 3012, 3014).....	1
3	C31341	SPINDLE-R.H. shown (4014).....	1
3	C31337	SPINDLE - L.H. (3010, 3012, 3014).....	1
3	C31340	SPINDLE-L.H. (4014).....	1
4	C27902	RING - retaining, spindle (4014).....	2
4	C28232	RING - retaining, spindle (3010, 3012, 3014).....	2
5	C22278	PIN - retaining, axle pivot.....	1
6	C11906	WASHER - thrust (3010, 3012, 3014).....	4
6	C13716	WASHER - thrust (4014).....	4
7	219-404	FITTING - lubrication.....	3
8	C13106	COVER - lubrication fitting.....	3
9	132-311	PIN - cotter 5/32" x 1-1/4".....	2
10	C25855	TIE ROD - (4014).....	1
10	C25856	TIEROD - (3010,3012,3014).....	1
11	C28226	WASHER - wheel spacer.....	UAR
12	187-1910	BOLT - 3/8"-16 x 3/4"N.C. hex head.....	1
13	C25857	LINK - drag.....	1
14	192-23	LOCKWASHER - 1/2" zinc.....	4
15	129-165 *	NUT - 1/2" N.F. R.H. thread, lock.....	6
16	129-365 *	NUT - 1/2" N.F. L.H. thread, lock.....	2
17	C13605 *	BALLJOINT - 1/2" L.H. thread.....	2
18	C12102 *	BALLJOINT - 1/2" R.H. thread.....	2
19	C22568	PIN - axle pivot.....	1
20	219-17	FITTING - lubrication.....	2

* Check thread rotation to order the correct part.

INDEX



INDEX



MODEL 3010, 3012, 3014 and 4014 COMPACT TRACTORS

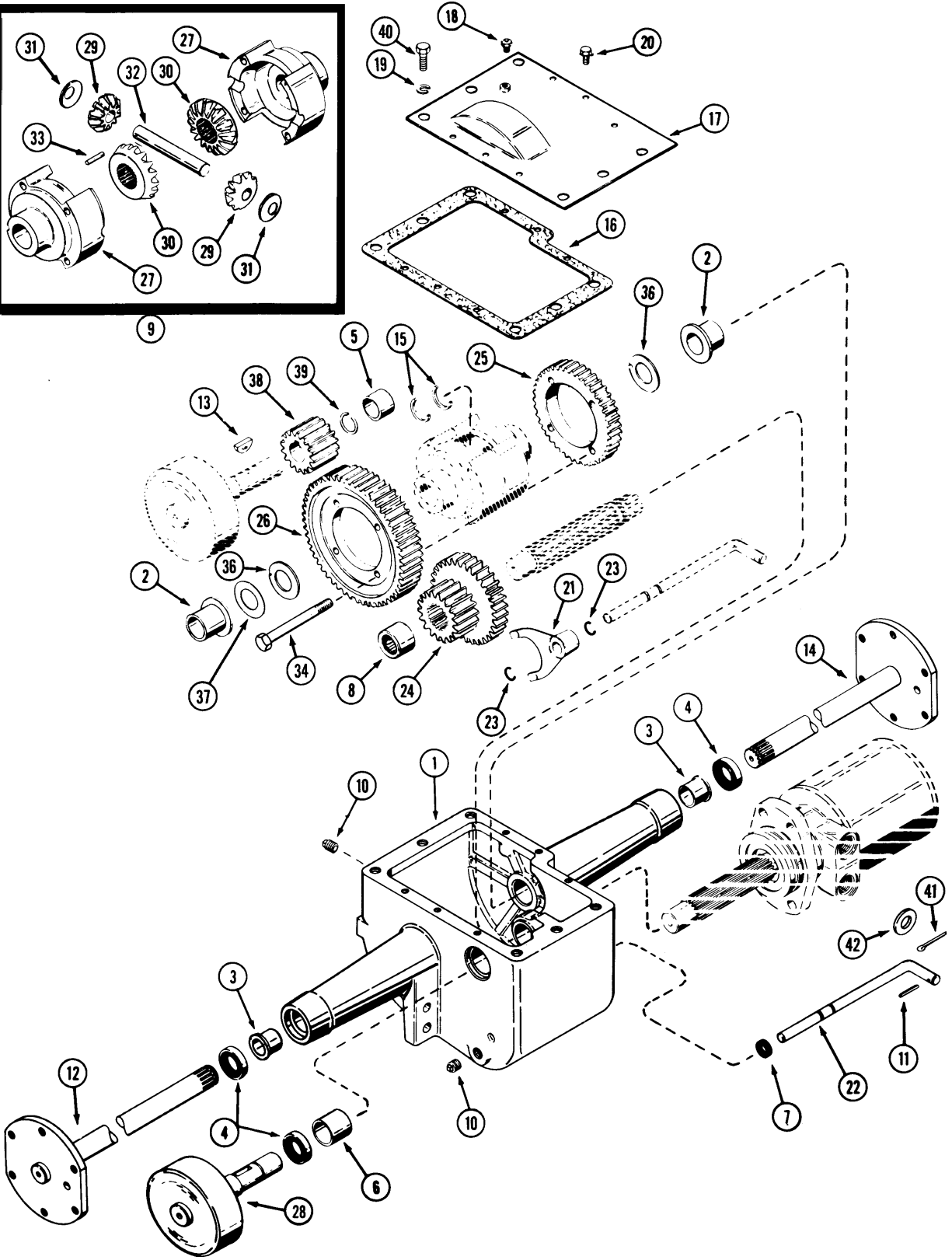
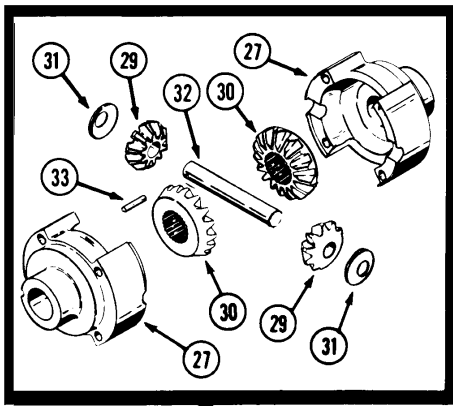
BRAKE ASSEMBLY

REF.	PART NO.	DESCRIPTION	REQ'D
1	C31657	PEDAL - brake actuating.....	1
2	C26381	ARM-brake pedal	1
3	138-2073	PIN - roll 3/16" x 1-1/4".....	1
4	C31660	SPRING-return.....	1
5	C31662	GUIDE - neutral return	1
6	C31604	ACCUATOR - parking brake.....	1
7	C31661	LEVER - brake lock.....	1
8	C21942	SPRING - brake lock.....	1
9	C31605	CAP - actuator.....	1
10	C33427	BAND - brake	1
11	C23910	PIN-clevis	1
12	113-2262	BOLT-3/8"-16x1-1/2"hex	1
13	129-143	NUT - 3/8" - 16 special.....	1
14	C23899	ARM-brake	1
15	C24761	ARM - brake (includes adjustment nut).....	1
16	C31994	GUIDE-brake actuator.....	1
17	195-533	WASHER - .531" I.D	5
18	132-310	PIN - cotter 1/8" x 1".....	5
19	C28978	CLEVIS.....	1
20	141-4	PIN-clevis	1
21	132-321	PIN-cotter	1
22	C31993	ROD-brake(4014).....	1
22	C31992	ROD - brake (3010, 3012, 3014)	1
23	C31975	PAD-brake pedal.....	1

FRONT AND REAR WHEELS

1	C30913	WHEEL - rear, 5 bolt (3010, 3012,3014) for 23 x 8.50- 12 tire.....	2
1	C30917	WHEEL - rear, 6 bolt (4014) shown.....	2
1	C30922	WHEEL - rear, 5 bolt (3010, 3012, 3014) for 23 x 10.50- 12 tire.....	2
2	C27763	BOLT - rear wheel (4014)	12
2	C10314	BOLT - rear wheel (3010,3012, 3014)	10
3	C30912	WHEEL - front (includes bearings)	2
4	219-403	FITTING - lubrication.....	2
5	C12110	BEARING-wheel	2
6	C28965	CAP - hub, front wheel (optional).....	2
7	C26021	CAP - plastic, front	2
8	C28236	STEM - valve.....	4
	C13106	COVER - lubrication fitting	2

INDEX

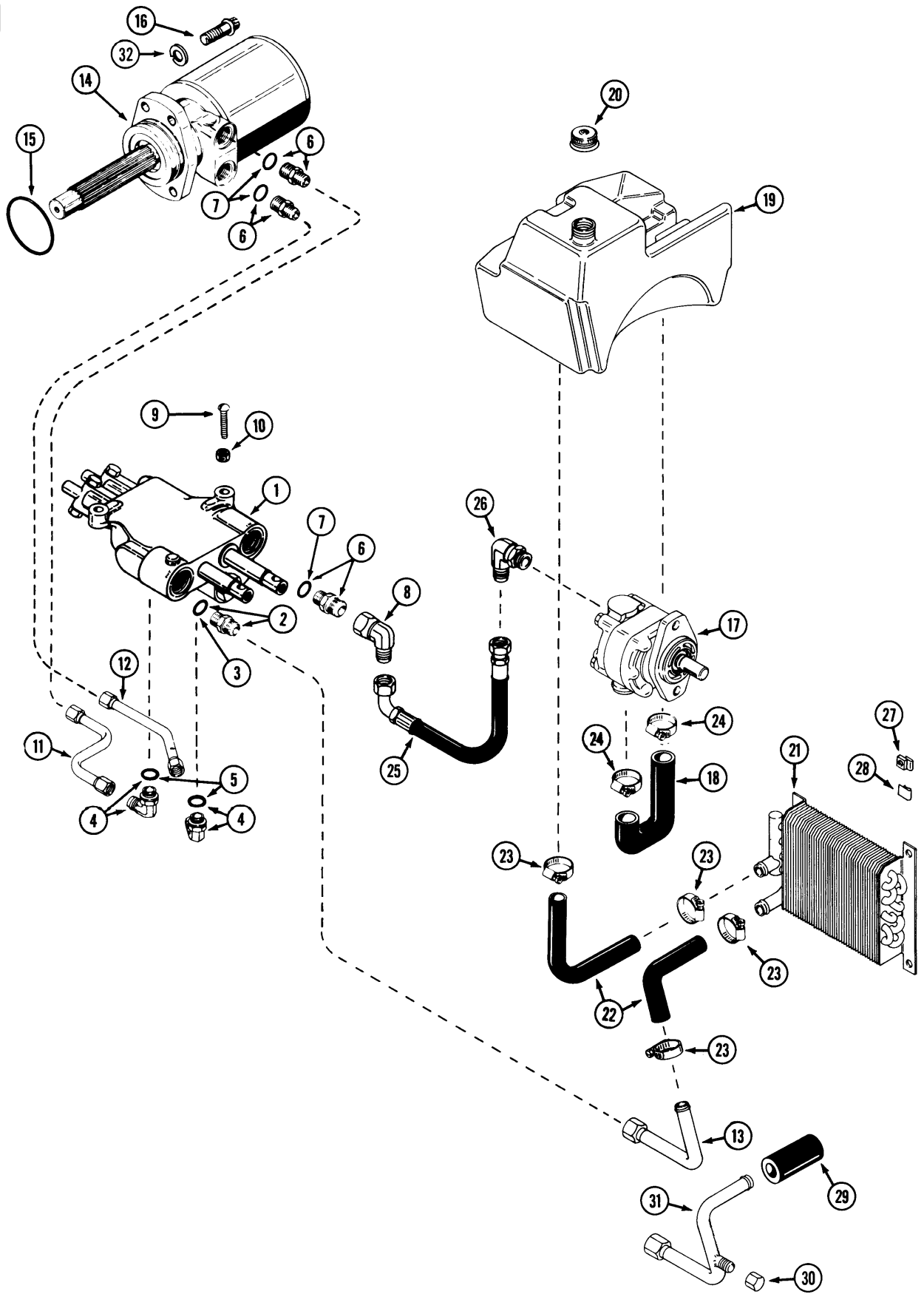


MODEL 3010, 3012, 3014 and 4014 COMPACT TRACTORS

TRANSMISSION AND FINAL DRIVE

REF.	PART NO.	DESCRIPTION	REQ'D
	C24843	CASE ASSEMBLY - transmission	1
1	NSS	CASE - transmission (order C24843)	1
2	C12713	BEARING - flange	2
3	C24804	BEARING - flange	2
4	C24803	SEAL - shaft	3
5	C13241	BEARING - sleeve	1
6	C13385	BEARING - sleeve	1
7	C13266	SEAL - shift rod	1
8	C28281	BEARING - roller	1
9	C30029	DIFFERENTIAL ASSEMBLY (also includes C30030, C30031, C12552)	1
10	221-3	PLUG - filler and drain 3/8" (square head)	3
10	221-1842	PLUG - pipe 3/8" hex socket	1
11	138-2073	PIN - roll 3/16" x 1-1/4" (early production)	1
12	C16699	SHAFT - axle, short R.H. (3010, 3012, 3014)	1
12	C22638	SHAFT - axle, short R.H. shown (4014)	1
13	126-128'	KEY - Woodruff, brake idler #18, 1/4" x 1-1/8"	1
14	C16700	SHAFT - axle, long L.H. (3010,3012,3014)	1
14	C22637	SHAFT - axle, long L.H. shown (4014)	1
15	C26342	RING - retainer, axle	2
16	C13196	GASKET - transmission cover	1
17	C13197	COVER - transmission	1
18	C28241	BREATHER - transmission	1
19	192-23	LOCKWASHER - 1/2"	4
20	121-21	BOLT - 1/4" x 1/2" N.C hex lock	6
21	C12725	FORK - shift	1
22	C32486	ROD - gear shift (uses Ref. 41 and 42)	1
23	C14168	RING - retaining	2
24	C14644	GEAR - cluster input	1
25	C30030	GEAR - high 41 tooth	1
26	C12552	GEAR - low 55 tooth	1
27	NSS	DIFFERENTIAL CASE	1
28	C33305	BRAKE DRUM	1
29	NSS	GEAR - differential pinion	2
30	NSS	GEAR - differential	2
31	NSS	WASHER - pinion thrust	2
32	NSS	PIN - differential	1
33	NSS	PIN - differential pin lock	1
34	C30031	KIT-screw (set of four)	1
36	C12718	WASHER - differential	2
37	C14223	WASHER - spacer	UAR
38	C33417	GEAR - brake idler	1
39	C14222	RING - retainer, brake idler	1
40	113-424	BOLT-1/2"-13x1"hex	UAR
40	166-85	BOLT-1/2"-13x1"1/2ptflange	UAR
41	132-310	PIN - cotter 1/8" x 1-1/8"	1
42	195-541	WASHER - .656" ID x 1.312 OD	1

INDEX



MODEL 3010, 3012, 3014 and 4014 COMPACT TRACTORS

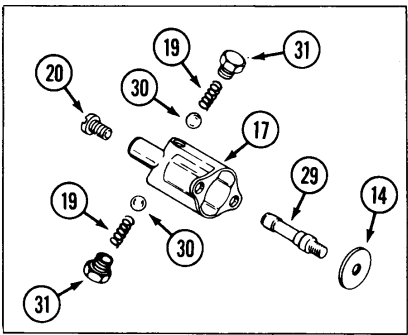
HYDRAULIC SYSTEM

REF.	PART NO.	DESCRIPTION	REQ'D
1	NSS	VALVE - control (repairs page 45) (use C33473, 218-51 54)	1
2	218-5065	FITTING - 3/4" x 7/8 "O" ring.....	1
3	218-5007	"O" RING	1
4	218-5107	FITTING - 90°elbow	2
5	218-5007	"O" RING	1
6	218-5062	FITTING - 5/8" x 7/8 "O"ring.....	3
7	218-5007	"O" RING	1
8	218-5232	FITTING 90°elbow	1
9	C27764	SCREW - 5/16"-18 x 1-1/4"roundhead.....	2
10	131-351	NUT - lock5/16"	2
11	C29655	TUBE - valve to upper motor port (3010, 3012, 3014).....	1
11	C29657	TUBE - valve to upper motor port (4014) (shown).....	1
12	C29656	TUBE - valve to lower motor port (3010, 3012, 3014)	1
12	C29658	TUBE - valve to lower motor port (4014)	1
13	C31435 *	TUBE - valve "out" to heat exchanger.....	1
14	C30939	MOTOR - hydraulic (3010, 3012, 3014) (repairs page 47)	1
14	C33234	MOTOR - hydraulic (4014) (repairs page 47)	1
15	C28949	SEAL - motor to transmission	1
16	NSS	SCREW - 1/2" - 18 x 1" 12 Pt. flange (use 166-86 and 192-23).....	4
16	166-86	BOLT - 1/2" - 18 x 1-1/4" 12 pt. flange (use 80 ft. lb. of torque).....	4
17	C31958	PUMP - hydraulic 1/2" shaft (repairs page 49).....	1
18	C33423	HOSE - pump inlet	1
19	C33180	RESERVOIR - oil	1
20	C25237	CAP - reservoir.....	1
21	C31295	EXCHANGER - heat (shown) 3014, 4014)	1
21	C31972	EXCHANGER - heat (3010,3012).....	1
22	C31431	HOSE - formed 90° 6-3/4" x 6-3/4" (cut to length)	2
23	214-254	CLAMP - hose 1-1/4".....	4
24	214-14	CLAMP - hose 1-3/8"	2
25	C31966	HOSE - pump to valve	1
26	218-5117	FITTING - 90° elbow	1
27	C31973	"J" NUT - 1/4"-20	4
28	C31974	"U" Clip - retainer.....	4
29	NSS**	HOSE - hydraulic (use C29697 cut to length).....	1
30	218-754	NUT - cap, hydraulic	1
31	C33115 **	TUBE - valve "out" to heat exchanger.....	1
32	192-23	LOCK WASHER - 1/2"	4

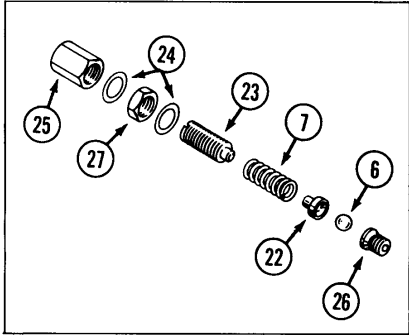
* early production

** late production

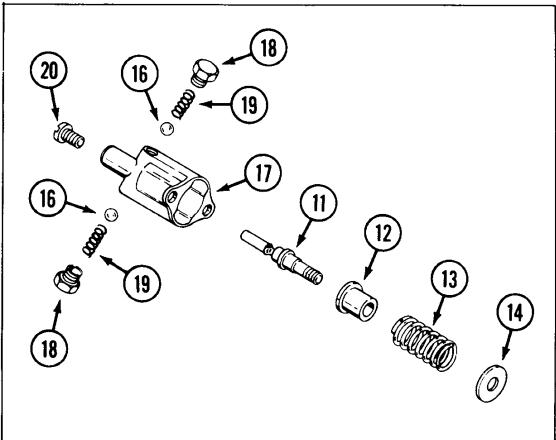
INDEX



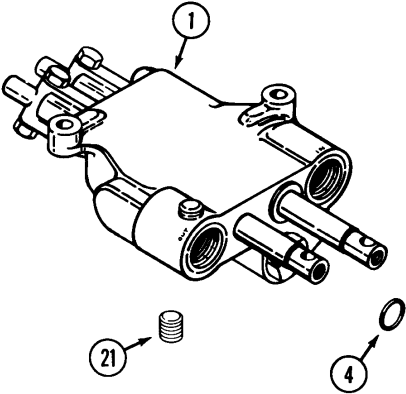
TRAVEL SECTION DETENT GROUP



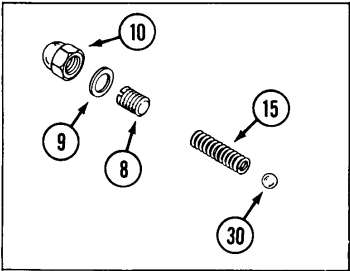
TRAVEL SECTION RELIEF GROUP



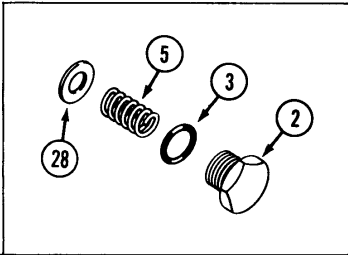
LIFT SECTION DETENT GROUP



HOLDING SECTION GROUP



LIFT SECTION RELIEF GROUP

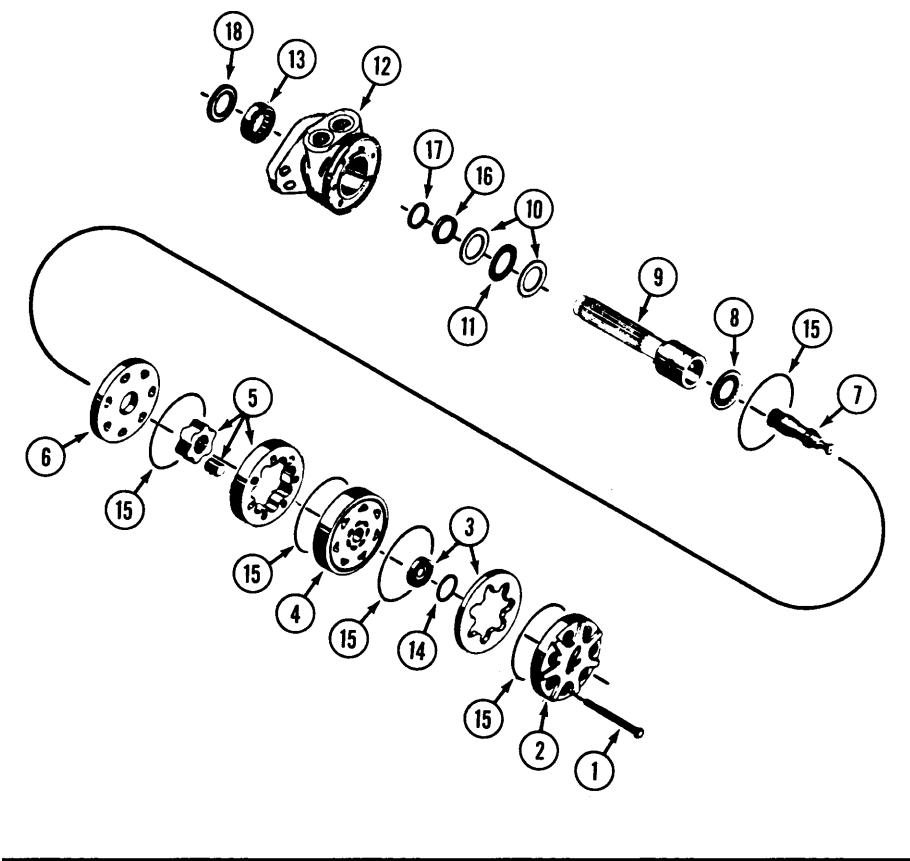


MODEL 3010, 3012, 3014 and 4014 COMPACT TRACTORS

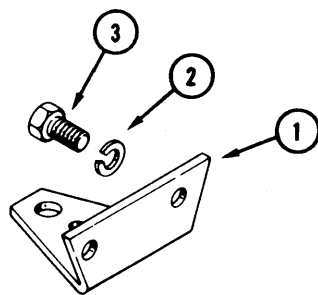
HYDRAULIC CONTROL VALVE

REF.	PART NO.	DESCRIPTION	REQ'D
1	NSS	VALVE - control, two spool (use C33473, 228-5 1 54)	1
2	C29956	CAP - end	2
3	C28217	"O" RING - end cap	1
4	C28856	SEAL - spool	4
5	C29951	SPRING - centering	2
6	211-208	BALL - steel 5/16" (7.94mm)	1
7	C21507	SPRING - relief	2
8	C17433	SCREW - relief adjust	1
9	C17435	GASKET - relief adjust cap	1
10	129-531	CAP - adjust screw	2
11	C26668	DETENT - spool	1
12	C28707	SPACER - detent	1
13	C28706	SPRING - detent return	1
14	C28705	WASH ER - return	2
15	NSS	SPRING - relief (use the spring from C21511 kit)	1
16	211-5	BALL - steel 3/16" (4.76 mm)	2
17	C17438	COVER - detent	1
18	C28708	SCREW - detent	2
19	C17444	SPRING - detent	4
20	169-114	SCREW - cover	4
21	221-841	PLUG - pipe 1/4" NPT	1
22	C21506	RETAINER - ball seat	1
23	C26665	SCREW - adjust, relief	1
24	C26664	GASKET - adjust cap	1
25	C26666	CAP - adjust screw	1
26	C26663	SEAT - relief ball	1
27	129-166	NUT - lock	1
28	C29950	WASHER - spring retaining	2
29	C29958	DETENT - spool	1
30	211-7	BALL-steel 1/4" (6.35 mm)	2
31	C174.43	SCREW - detent	2
	C30002	KIT - seal	1

INDEX



INDEX



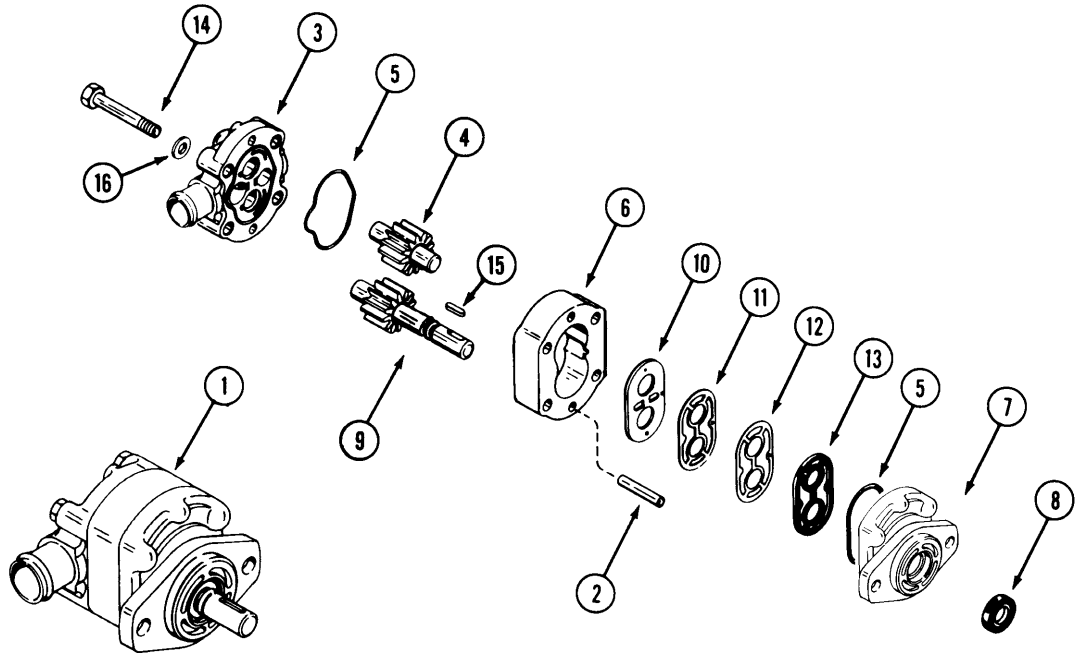
INDEX**MODEL 3010, 3012, 3014 and 4014 COMPACT TRACTORS
HYDRAULIC DRIVE MOTOR**

REF.	PART NO.	DESCRIPTION	REQ'D
	C33234	MOTOR - hydraulic (4014).....	1
	C30939	MOTOR - hydraulic (3010, 3012, 3014).....	1
1	28-668	BOLT - 3/8"-24 x 4-1/4" (3010,3012,3014)	7
1	C31327	BOLT - 3/8" -24 x 4-5/8" (4014)	7
2	C31309	COVER - end	1
3	C31310	COMMUTATOR AND RING SET	1
4	C31311	MANIFOLD.....	1
5	C31312	ROTOR ASSEMBLY (3010,3012,3014)	1
5	C31313	ROTOR ASSEMBLY (4014)	1
6	C31314	PLATE - wear.....	1
7	C31315	LINK - drive (3010, 3012, 3014).....	1
7	C31316	LINK - drive (4014).....	1
8	C31317	BEARING - thrust.....	1
9	C31318	SHAFT - coupling.....	7
10	C31319	WASHER - thrust.....	2
11	C31320	BEARING - thrust.....	1
12	C31321	HOUSING - drive end	1
13	C31322	BEARING - outer	1
	C31323	KIT - seal.....	1
14	NSS	SEAL - commutator ring.....	1
15	NSS	SEAL - ring.....	5
16	NSS	SEAL - ring.....	1
17	NSS	WASHER - backup	1
18	NSS	SEAL - dirt (not used)	1

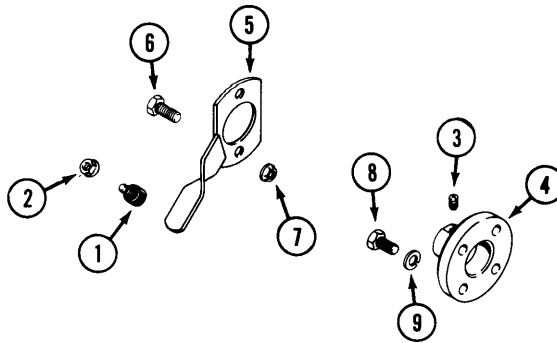
INDEX**DRAWBAR AND TOW HITCH**

1	C13360	DRAWBAR.....	1
2	192-23	LOCKWASHER - 1/2"	2
3	113-424	BOLT - 1/2" x 1" N.C. hex	2

INDEX



INDEX



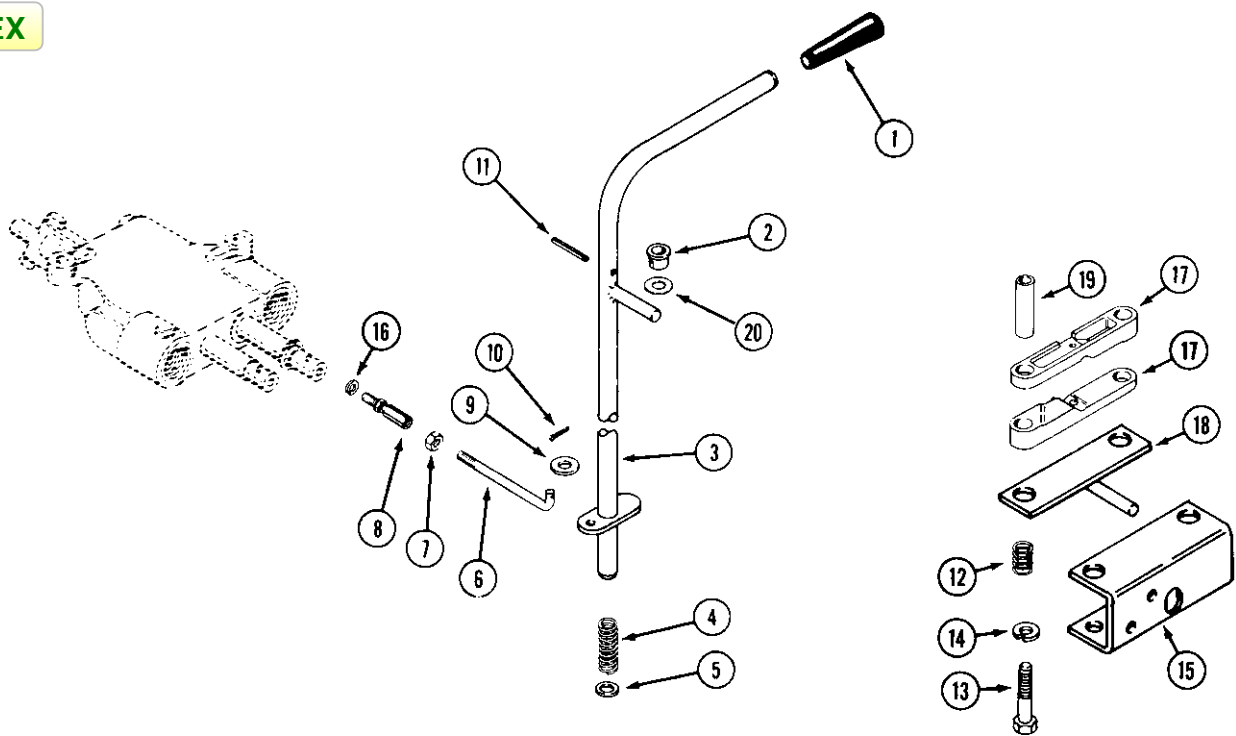
INDEX**MODEL 3010, 3012, 3014 and 4014 COMPACT TRACTORS****HYDRAULIC PUMP (PARKER-HANNIFIN)**

REF.	PART NO.	DESCRIPTION	REQ'D
1	C31958	PUMP - hydraulic 1/2" shaft	1
2	F53109	PIN - dowel	2
3	C31987	COVER - rear	1
4	C15731	GEAR ASSEMBLY - driven	1
5	C15732	"O"RING - cover	2
6	C15733	BODY - pump	1
7	C15734	COVER - front	1
8	C15735	SEAL - shaft	1
9	NSS	GEAR ASSEMBLY - drive (1/2" shaft) (use C31958)	1
10	C15737	PLATE - wear	1
11	C15738	SHIELD - heat	1
12	C15739	GASKET	1
13	C15740	SEAL	1
14	113-111	BOLT	4
15	C31988	KEY - 1/8" square x 3/4" long (1.587mm x 19.05 mm)	1
16	C19115	WASHER	4

INDEX**PUMP MOUNTING COMPONENTS**

1	NSS	MOUNT - rubber (use C32437)	1
2	131-176	NUT - 5/16" - 18 flange lock	1
3	C32199	SCREW - set 5/16" - 18 x 5/16" socket (use loctite)	2
4	C31962	ADAPTER - drive	1
5	NSS	PLATE - pump torque arm (use C33506)	1
6	113-208	BOLT - 3/8" - 16 x 1-1/4" hex	2
7	131-1352	NUT - 3/8" - 16 flange lock	2
8	113-103	BOLT - 5/16" - 18 x 1" hex	4
9	192-20	LOCKWASHER - 5/16"	4

INDEX

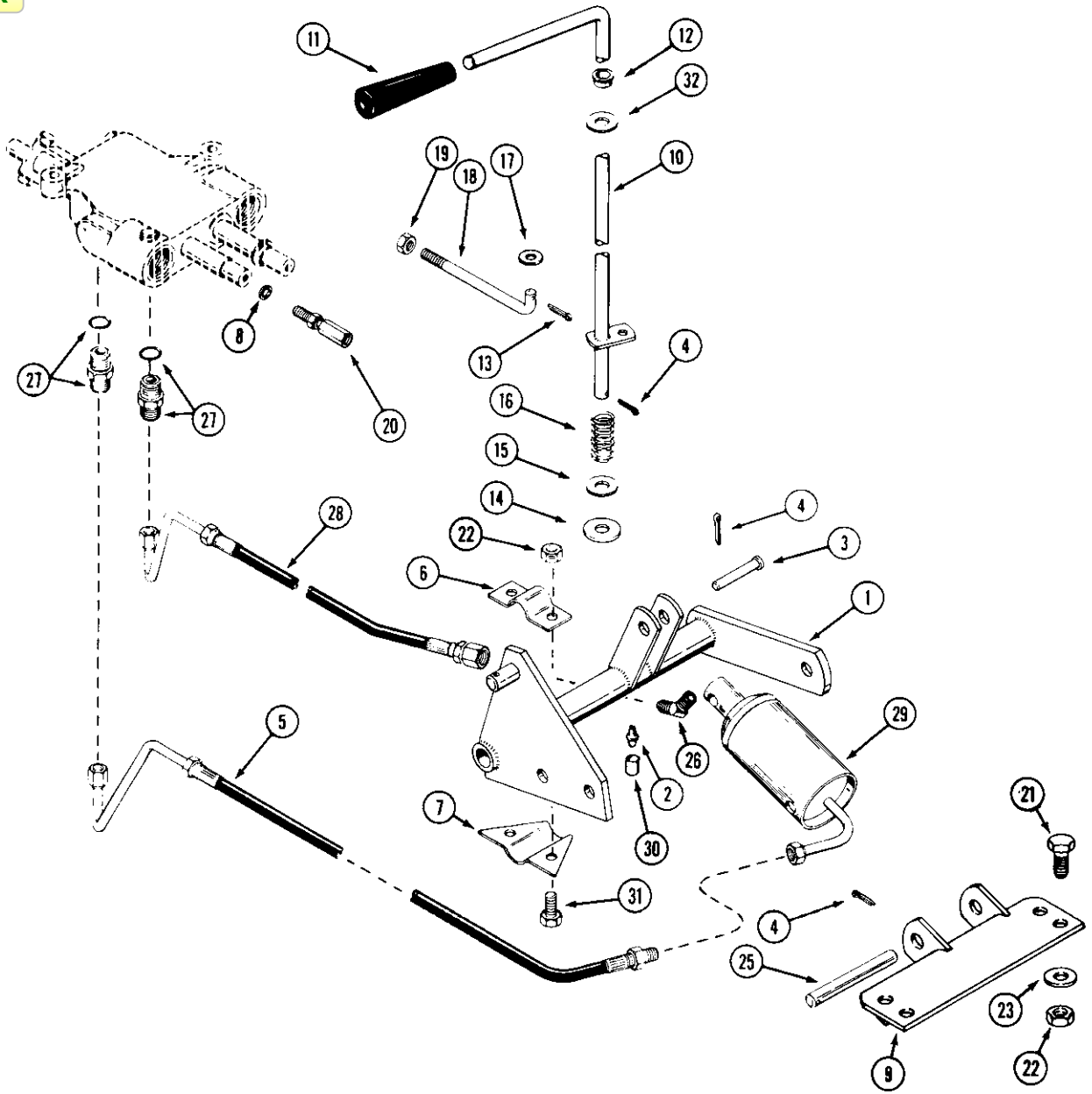


SPEED CONTROL

REF.	PART NO.	DESCRIPTION	REQ'D
1	C29047	KNOB - speed control	1
2	C27593	BUSHING - lever	1
3	C32509	LEVER - speed control.....	1
4	C10482	SPRING - compression.....	1
5	C21518	WASHER - nylon.....	1
6	C31670 *	ROD - control	1
7	129-122	NUT - 5/16" N.F. hex, zinc plated	1
8	C19025 *	JOINT - ball	1
9	NSS	WASHER - 5/16" (not required)	1
10	132-320	PIN – cotter 3/32" x 3/4"	1
11	138-2072	PIN – roll 1/8" x 1-3/4"	1
12	C30827	SPRING - locator	2
13	113-14	BOLT - 1/4"-20 x 2"	2
14	192-19	LOCKWASHER - 1/4"	2
15	C31678	CARRIER - locator	1
16	192-20	LOCKWASHER - 5/16"	1
17	C32362	LOCATOR - half.....	2
18	C31674	ACCUATOR - switch.....	1
19	C29653	SPACER - tube	2
20	C25178	WASHER – travel lever bushing	1

* Order both C31670 rod and C19025 ball joint if other than illustrated or if between S/N:
 3010 - not affected
 3012 - 14125039 to 14125111
 3014 - 14125948 to 14126002
 4014 - 14127632 to 14127654

INDEX



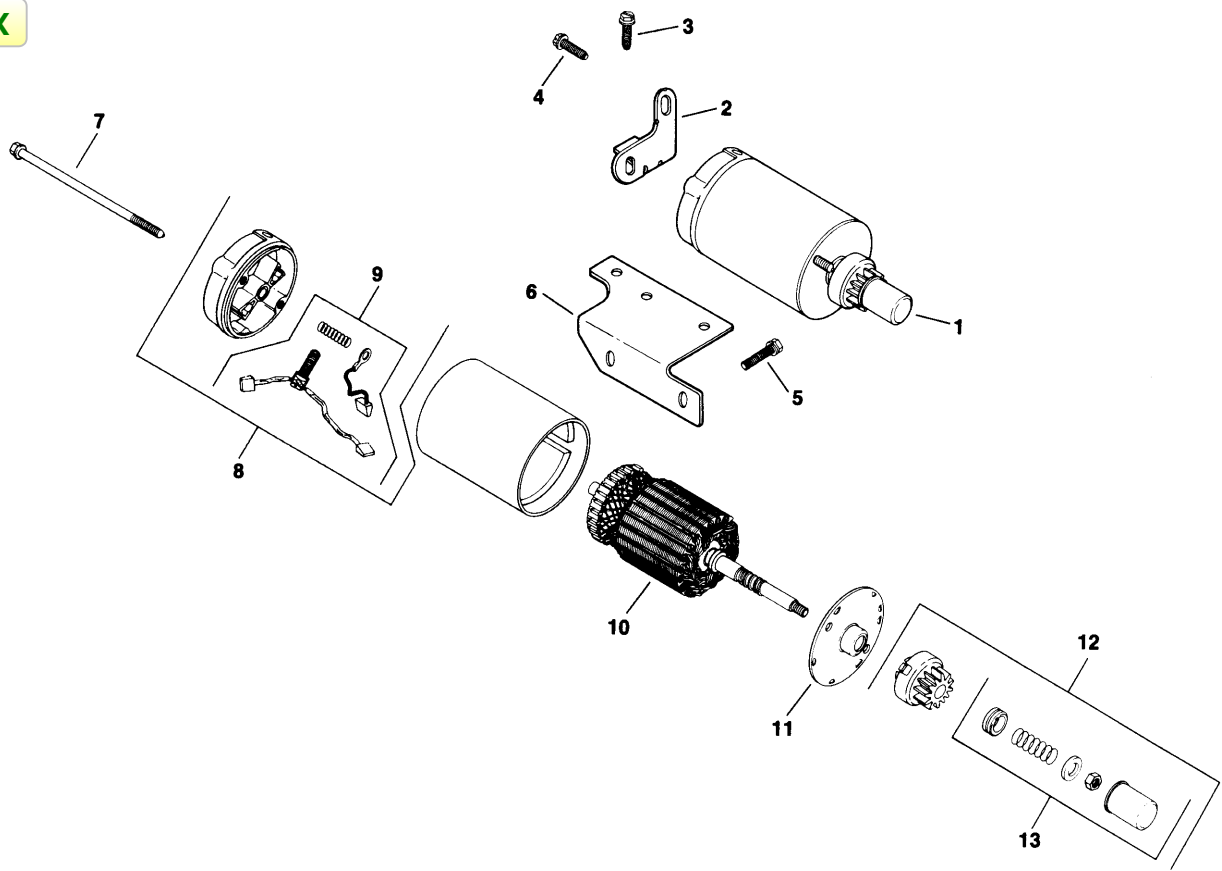
HYDRAULIC LIFT

REF.	PART NO.	DESCRIPTION	REQ'D
1	C32259	SHAFT ASSEMBLY - lift	1
2	219-17	FITTING - lubrication.....	1
3	C29693	PIN - cylinder to lever, clevis.....	1
4	132-310	PIN – cotter 1/8" x 1"	5
5	C17734	HOSE - long	1
6	C17249	BRACKET - mounting, top	2
7	C17250	BRACKET - mounting, bottom	2
8	192-20	LOCKWASHER - 5/16"	1
9	NSS	BRACKET - cylinder (use C33138 kit)	1
10	C31680	LEVER - lift control.....	1
11	C29045	KNOB - control lever	1
12	C27593	BUSHING - lift lever	1
13	132-320	PIN – cotter 3/32" x 3/4"	1
14	195-533	WASHER - 1/2"	1
15	C21518	WASHER - nylon.....	1
16	C31681	SPRING – control lever.....	1
17	195-521	WASHER - 5/16"	1
18	C31670 *	ROD - control	1
19	129-122	NUT - 5/16" N.F. hex.....	1
20	C19025 *	BALLJOINT	1
21	113-209	BOLT - 3/8" x 1-1/2" N.C. hex	8
22	131-938	NUT - lock 3/8" N.C. hex. flange	8
23	195-104	WASHER - 3/8" x 1-1/8" O.D	4
25	C26188	PIN – cylinder base	1
26	218-1093	FITTING - hydraulic 45° elbow.....	1
27	218-5056	FITTING - valve (includes 218-5004 "0" ring)	2
28	C31682	HOSE - short.....	1
29	C27590	CYLINDER - lift	1
	C30054	KIT - seal.....	1
30	C13106	COVER - lubrication fitting	1
31	113-208	BOLT - 3/8" x 1-1/4"	4
32	C25178	WASHER - Lever Bushing	1

* Order both C31670 rod and C19025 ball joint if other than illustrated or if between S/N:

- 3010 - not affected
- 3012 - 14125039 to 14125111
- 3014 - 14125948 to 14126002
- 4014 - 14127632 to 14127654

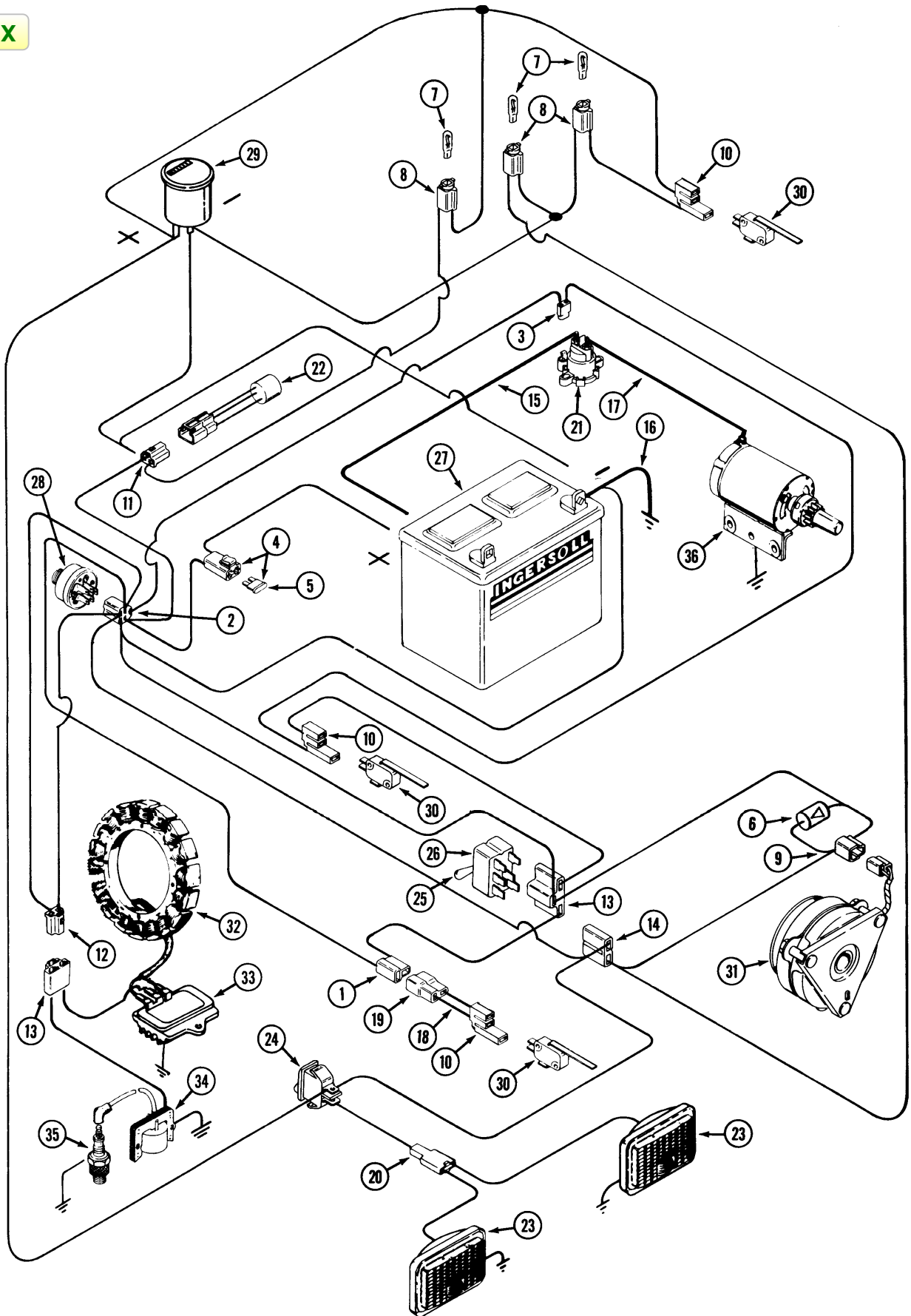
INDEX



STARTER

REF.	PART NO.	DESCRIPTION	REQ'D
1	C32905	STARTER - includes Ref. 7 thru 13	1
2	C32906	BRACE - tail	1
3	121-21	SCREW – washerhead 1/4” – 20 x 1/2”	1
4	121-21	SCREW – washerhead 1/4” – 20 x 1/2”	1
5	113-207	SCREW - 3/8”-16 x 1”	2
6	C32907	BRACKET - mounting	1
7	C32908	BOLT – thru 1/4”- 20 x 5 -1/16”	2
8	C32909	CAP - commutator end assembly	1
9	C32910	KIT - brush	1
10	C24890	ARMATURE	1
11	C32911	CAP - drive end	1
12	C32912	KIT - drive	1
13	C32913	KIT - drive parts	1

INDEX



ELECTRICAL SYSTEM

REF.	PART NO.	DESCRIPTION	REQ'D
	C31940	HARNESS - wire	1
	C33021 * *	HARNESS - wire	1
1	C25338	CONNECTOR - seat harness, male	1
2	C24460	CONNECTOR - ignition switch	1
3	C27549	CONNECTOR - solenoid	1
4	C31947	KIT - fuse holder	1
5	C30260	FUSE - 30 amp	1
6	C31986	KIT - diode, 6 amp, 15 volt	1
7	C30262	BULB - indicator light (not included with harness).....	3
8	C30263	SOCKET - bulb	3
9	C31948	CONNECTOR - PTO male	1
10	C30279	CONNECTOR - switch	3
11	C25486	CONNECTOR - sensor.....	1
12	C31949	CONNECTOR - engine.....	1
13	C31950	CONNECTOR - 3 terminal.....	1
14	C31951	CONNECTOR - PTO switch, 2 terminal	1
15	C31942 *	CABLE - battery positive to solenoid	1
15	C33022 * *	CABLE - battery positive to solenoid	1
16	C24809	CABLE - battery negative to ground	1
17	C33023 * *	CABLE - solenoid to starter.....	1
17	C31944 *	CABLE - solenoid to starter.....	1
18	C31945	HARNESS - seat switch (includes ref. 10 and 19).....	1
19	C24813	CONNECTOR - seat harness, female	1
20	C14537	CONNECTOR - headlights	1
21	NSS *	SOLENOID - start, 12 volt (use C33025 kit)	1
21	C33024 * *	SOLENOID	1
22	C31617	SENSOR - voltage (includes connector).....	1
23	C32178	HEADLIGHT - 12 volt (see page 59 for repairs)	2
24	C29322	SWITCH - headlight	1
25	C31619	CAP - PTO switch	1
26	C31937	SWITCH-PTO	1
27	C31213	BATTERY - 12 volt, 32 amps, 230 CCA	1
28	C30267	SWITCH - ignition (includes key and hardware).....	1
	C32407	KEY - ignition	2
29	C31623	HOURLY METER	1
30	C30275	SWITCH - inter - lock	3
31	C32375	CLUTCH - PTO (see page 27 for repairs)	1
32	C28692	STATOR - charging.....	1
	C31950	CONNECTOR - stator, three contact, stacked	1
33	C32948	RECTIFIER - voltage, 12 volts	1
	C32949	CONNECTOR - rectifier, three contact, straight	1
34	C32944	MODULE - ignition	1
35	C29738	SPARK PLUG-includes gasket.....	1
36	C32905	STARTER - 12 volt (see page 55 for repairs).....	1

* Use before S/N:

* * Use S/N and after:

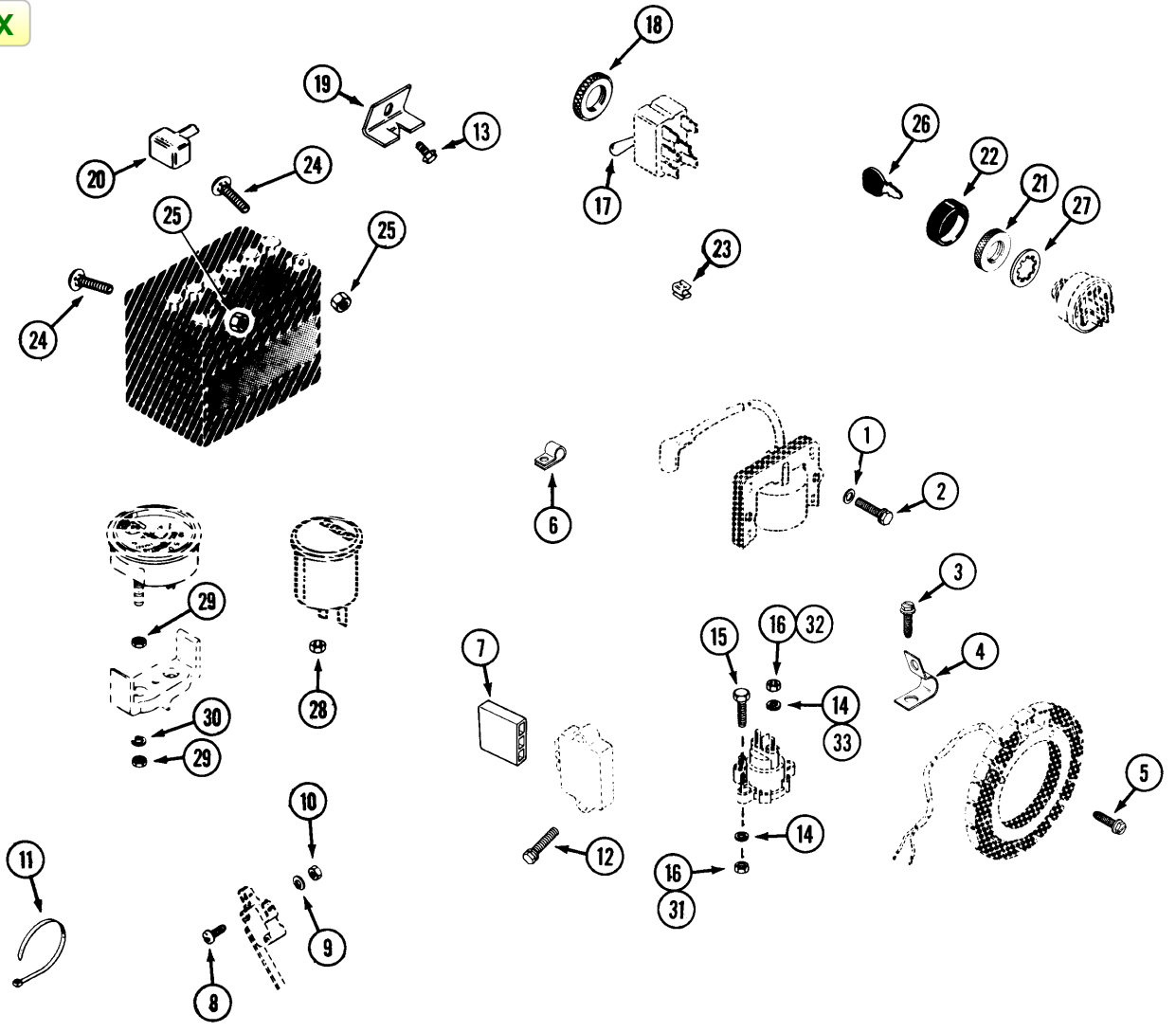
3010 - all require C33025 kit

3012 - 14125175

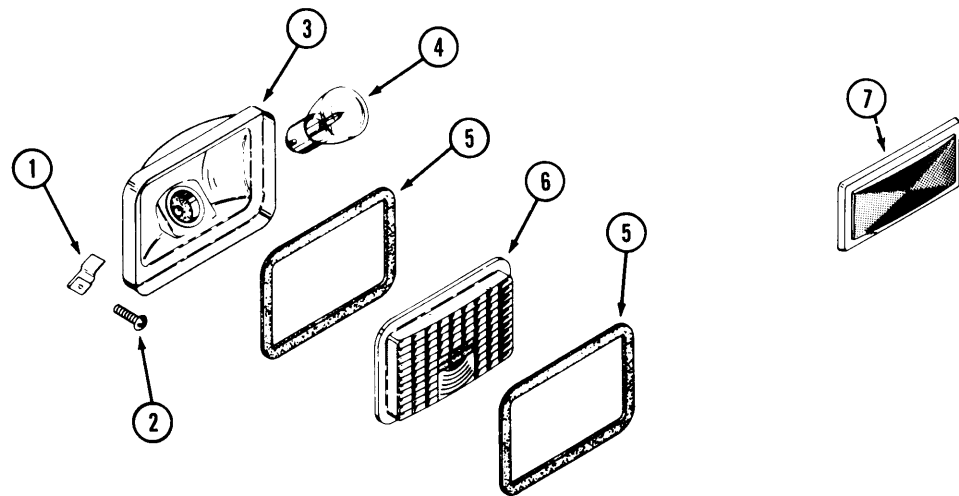
3014 - 14126060

4014 - all require C33025 kit

INDEX



INDEX



INDEX**MODEL 3010, 3012, 3014 and 4014 COMPACT TRACTORS****ELECTRICAL SYSTEM HARDWARE**

REF.	PART NO.	DESCRIPTION	REQ'D
1	C32945	WASHER - #10	2
2	C32946	SCREW - sems #10-24 x 7/8"	2
3	163-7	SCREW - #8-32 x 3/8" washer head	1
4	C28717	CLIP - wire	1
5	C32947	SCREW - #10-24 x 3/4"	4
6	C31977	CLIP - hi-tension lead	1
7	C32949	CONNECTOR - female, 3 contact straight	1
8	182-10	SCREW - #4-40 x 7/8"	2
9	129-13	NUT - #4-40	2
10	192-13	LOCKWASHER - #4	2
11	C22947	TIE - nylon	UAR
12	187-1073	SCREW - 1/4"-20 x 5/8"	2
13	121-21	BOLT - 1/4" - 20 x 1/2" flangelock	1
14	193-70	LOCKWASHER - #10 external tooth	2
14	192-18	LOCKWASHER - #10	2
15	182-147	SCREW - #10 - 32 x 3/4" screw	2
15	182-559	SCREW - #10 - 24 x 3/4" black	2
16	129-37	NUT - #10-32	4
17	C31619	CAP - PTO switch	1
18	C31620	NUT - knurled 1/2"-27	1
19	C31621	RETAINER - battery	1
20	C24069	COVER - terminal	1
21	C32396	NUT - switch 5/8" - 32	1
22	C32397	CAP - nut	1
23	C19521	CLIP - wire	3
24	111-132	BOLT - 5/16"-18 x 3/4" carriage	2
25	129-102	NUT - 5/16"-18	2
26	C32407	KEY - ignition	1
27	C23012	LOCK WASHER	1
28	129-36	NUT - #8-36	2
29	129-27	NUT - #10	4
30	193-99	LOCK WASHER - #10	2
31	129-17	NUT - #10 - 24	2
32	129-101	NUT - 1/4" - 20	2
33	192-19	LOCKWASHER - 1/4"	2

INDEX**HEADLIGHT ASSEMBLY AND REAR RELECTOR**

REF.	PART NO.	DESCRIPTION	REQ'D
1	C29637	RETAINER - head light	4
2	187-1328	SCREW - No.8 x 3/8"	4
	C32178	HEADLIGHT ASSEMBLY	2
3	NSS	RECEPTACLE - headlight (order C32178)	1
4	C28932	BULB - headlight	1
5	C14304	GASKET - headlight	2
6	C22573	LENS - headlight	1
7	C30942	REFLECTOR - red, rear fender	2

INDEX

⑥

INGERSOLL hydriv 3010

⑦

INGERSOLL hydriv 3012

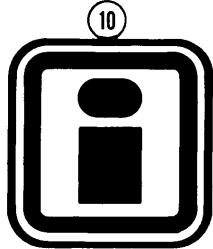
⑧

INGERSOLL hydriv 3014

⑨

INGERSOLL hydriv 4014

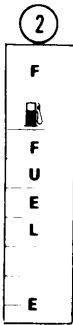
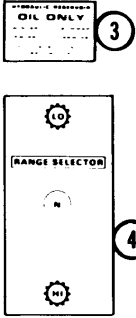
INDEX



⑪

CAUTION

READ OPERATOR'S MANUALS
 KNOW LOCATION AND FUNCTION OF ALL CONTROLS.
 KEEP ALL SHIELDS AND SAFETY SWITCHES FUNCTIONAL.
 BEFORE STARTING ENGINE, DISENGAGE ATTACHMENT
 DRIVE AND PLACE TRAVEL CONTROL IN NEUTRAL.
 REMOVE OBJECTS FROM THE TERRAIN THAT COULD
 BE THROWN BY THE ATTACHMENT.
 KEEP PEOPLE AND PETS A SAFE DISTANCE AWAY.
 NEVER CARRY PASSENGERS.
 ALWAYS LOOK BEHIND TRACTOR BEFORE BACKING.
 ON ANY INCLINE THAT THE TRACTOR CAN BE SAFELY
 OPERATED USE LOW RANGE/GEAR.
 FRONT END TILT OVER CAN OCCUR WHEN OPERATING ON
 LOADING RAMPS OR HILLS. BACK UP RAMPS OR HILLS.
 DRIVE FORWARD GOING DOWN RAMPS OR HILLS.
 TO PARK TRACTOR, PLACE TRAVEL CONTROL IN
 NEUTRAL, SET PARKING BRAKE, DISENGAGE
 ATTACHMENT, DRIVE ENGINE OFF AND REMOVE KEY.
 PARK TRACTOR BEFORE SERVICING OR MAKING
 ADJUSTMENTS TO TRACTOR OR ATTACHMENTS.
 FAILURE TO OBSERVE THESE PRECAUTIONS
 COULD RESULT IN INJURY.

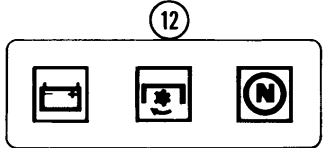


⑬

INGERSOLL

⑭

BRAKE - PEDAL IS ON LEFT SIDE OF TRACTOR
PARKING BRAKE LOCK
 TO ENGAGE - APPLY BRAKE AND PUSH LOCK DOWN
 TO RELEASE - PUSH BRAKE PEDAL DOWN



MODEL 3010, 3012, 3014 and 4014 COMPACT TRACTORS

DECALS

REF.	PART NO.	DESCRIPTION	REQ'D
1	C32093	DECAL - "Ingersoll"	1
2	C26699	DECAL - fuel tank gauge	1
3	321-4767	DECAL - hydraulic reservoir.....	1
4	321-1788	DECAL - shift range	1
5	C27871	DECAL - brake	1
6	C31997	DECAL - hood L.H. (shown) (3010).....	1
6	C32001	DECAL - hood R.H. (3010)	1
7	C31998	DECAL - hood L.H. (shown) (3012).....	1
7	C32002	DECAL - hood R.H. (3012)	1
8	C31999	DECAL - hood L.H. (shown) (3014).....	1
8	C32003	DECAL - hood R.H. (3014)	1
9	C32000	DECAL - hood L.H. (shown) (4014).....	1
9	C32006	DECAL - hood R.H. (4014)	1
10	C30539	MEDALLION - logo	1
11	321-6659	DECAL - "Caution"	1
12	C30274	LENS - display	1